

SPECIFICATION SHEET

COLLECTION: ELEMENTS

PRODUCT CODE: IND-ELW109FLA-BRG



DESCRIPTION:

3 hole basin mixer with 200mm spout
wall mounted
with water flow straightener
with water flow aerator
cold ceramic cartridge C-206-RTC
hot ceramic cartridge C-206-LTC
2 x 1/2" x 1/2" male x 90mm straight connections
1/2" x 1/2" x 1/2" female x 50mm T-piece
connection
min-max wall mount 40-50mm
minimum operating pressure 0.2 bar LP

FINISH:

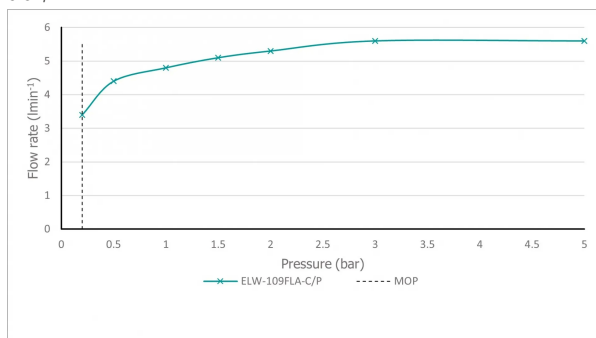
Brushed Gold

MINIMUM OPERATING PRESSURE:

0.2 bar LP

FLOW RATE AT 3.0 BAR FLOW PRESSURE:

5.6 l/min



tel: 01934 744466
email: sales@vado.com
www.vado.com

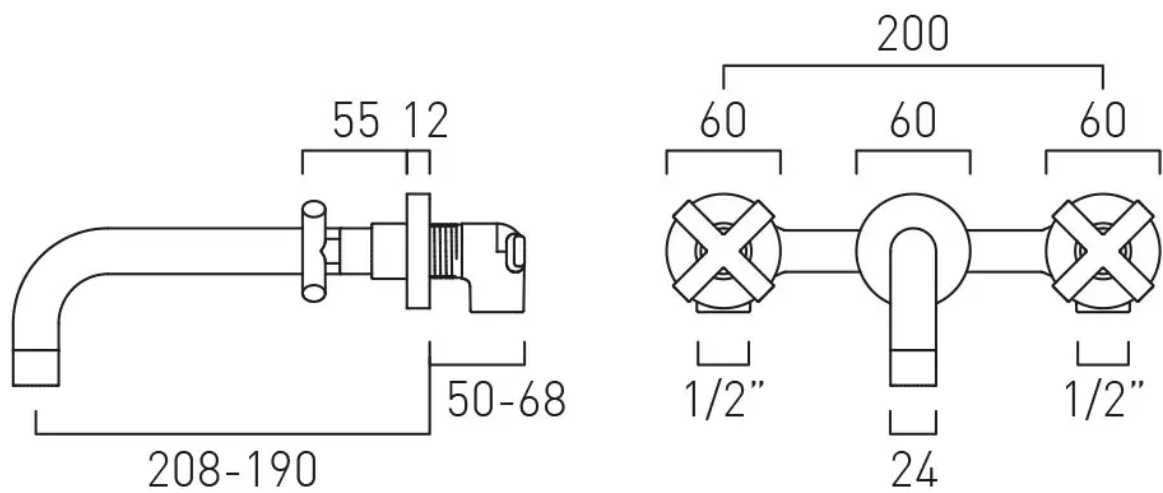
where inspiration flows
taps | showering | accessories



TECHNICAL DRAWING

COLLECTION: ELEMENTS

PRODUCT CODE: IND-ELW109FLA-BRG



tel: 01934 744466
email: sales@vado.com
www.vado.com

where inspiration flows
taps | showering | accessories

