

# SPECIFICATION SHEET

**COLLECTION:** ELEMENTS

**PRODUCT CODE:** IND-ELW109FLA-BLK



**DESCRIPTION:**

3 hole basin mixer with 200mm spout  
wall mounted  
with water flow straightener  
with water flow aerator  
cold ceramic cartridge C-206-RTC  
hot ceramic cartridge C-206-LTC  
2 x 1/2" x 1/2" male x 90mm straight connections  
1/2" x 1/2" x 1/2" female x 50mm T-piece  
connection  
min-max wall mount 40-50mm  
minimum operating pressure 0.2 bar LP

**FINISH:**

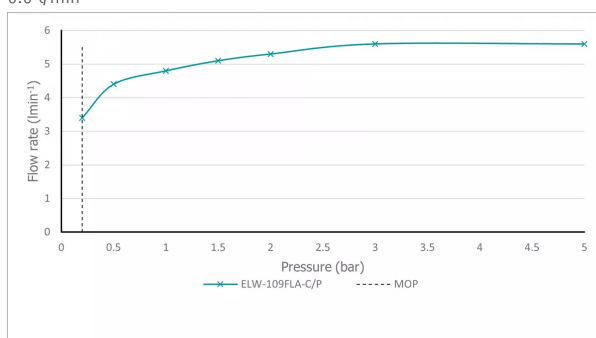
Brushed Black

**MINIMUM OPERATING PRESSURE:**

0.2 bar LP

**FLOW RATE AT 3.0 BAR FLOW PRESSURE:**

5.6 l/min



tel: 01934 744466  
email: sales@vado.com  
www.vado.com

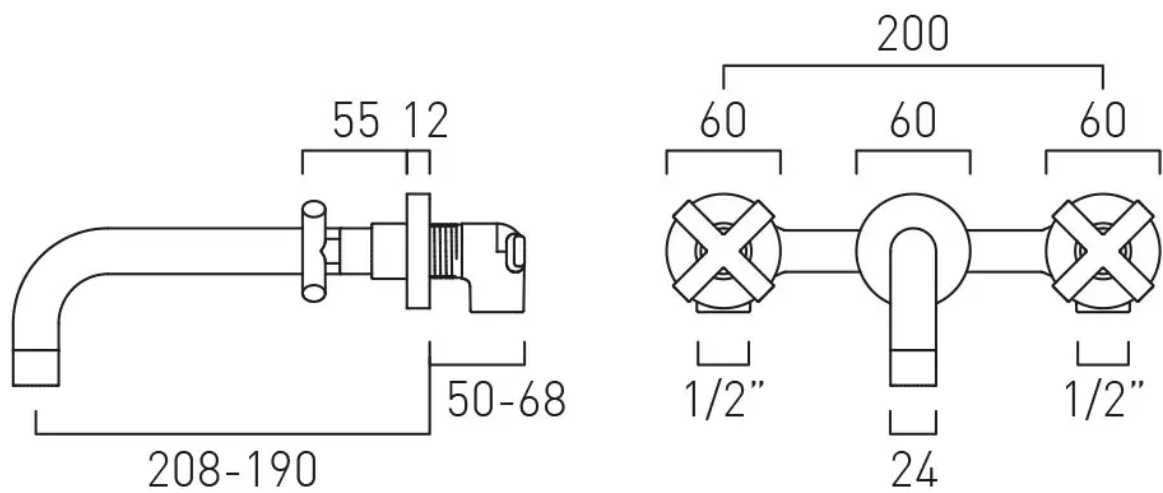
**where inspiration flows**  
taps | showering | accessories



# TECHNICAL DRAWING

**COLLECTION:** ELEMENTS

**PRODUCT CODE:** IND-ELW109FLA-BLK



tel: 01934 744466  
email: sales@vado.com  
www.vado.com

**where inspiration flows**  
taps | showering | accessories

