

# SPECIFICATION SHEET

**COLLECTION:** EDIT

**PRODUCT CODE:** IND-EDI130+K-BLK



## DESCRIPTION:

2 hole bath shower mixer  
deck mounted  
with Atmosphere single function air-injection  
shower kit  
cold ceramic cartridge C-302-RTC  
hot ceramic cartridge C-302-LTC  
2 x 3/4" x 50mm fitted tails  
deck mount drill hole diameter 2 x 28-30mm  
minimum operating pressure 1.0 bar MP

## FINISH:

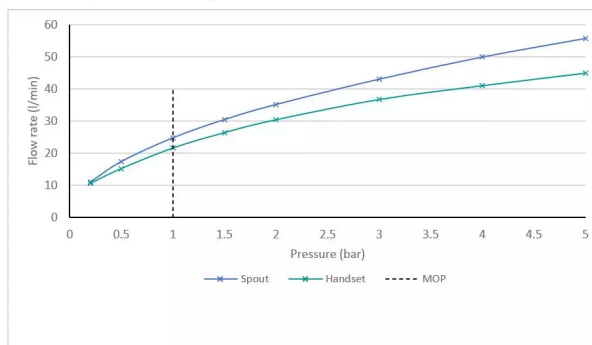
Brushed Black

## MINIMUM OPERATING PRESSURE:

1.0 bar MP

## FLOW RATE AT 3.0 BAR FLOW PRESSURE:

Bath: 43.1, Shower: 36.7 l/min



tel: 01934 744466  
email: sales@vado.com  
www.vado.com

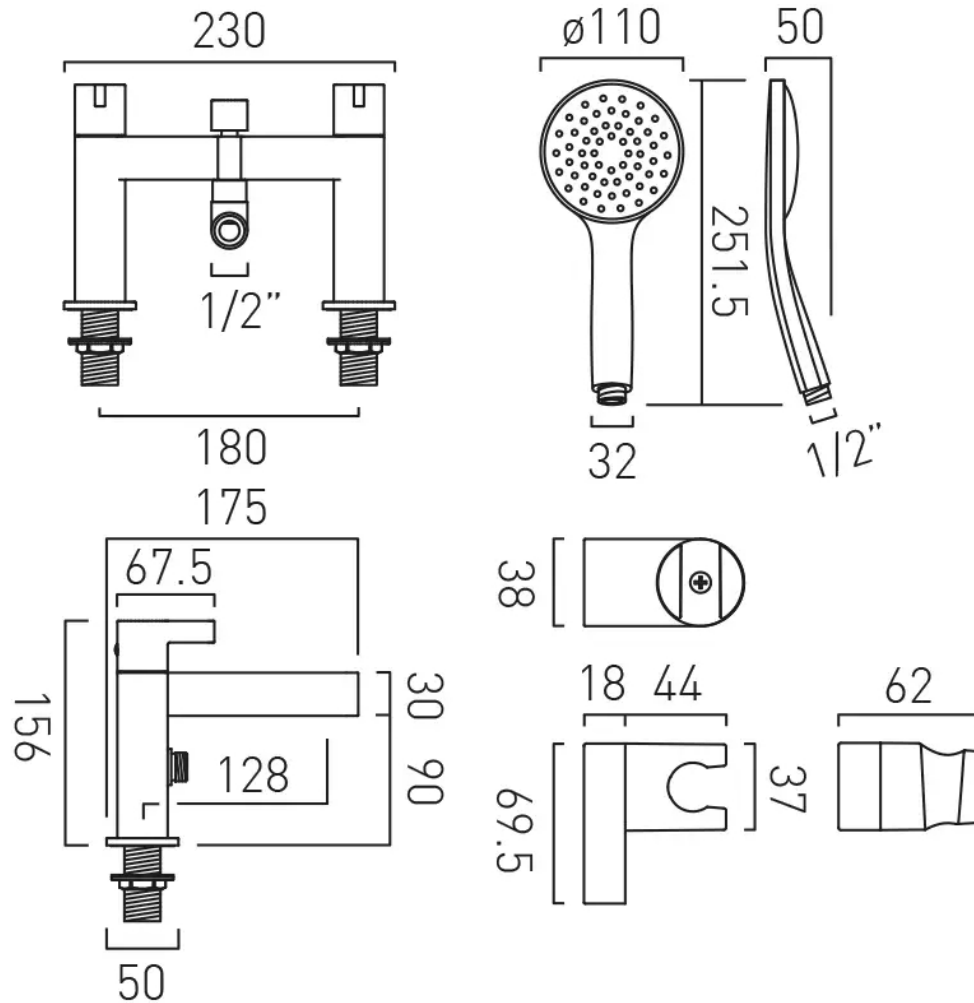
**where inspiration flows**  
taps | showering | accessories



# TECHNICAL DRAWING

**COLLECTION:** EDIT

**PRODUCT CODE:** IND-EDI130+K-BLK



tel: 01934 744466  
email: sales@vado.com  
www.vado.com

**where inspiration flows**  
taps | showering | accessories

