

# SPECIFICATION SHEET

**COLLECTION:** OMIKA NOIR

**PRODUCT CODE:** IND-CMA/RO/4IN-PB



**DESCRIPTION:**

fixed head ceiling mounting arm

100mm (4")

1/2" x 70mm threaded inlet

1/2" threaded outlet

**FINISH:**

Polished Black



tel: 01934 744466  
email: sales@vado.com  
www.vado.com

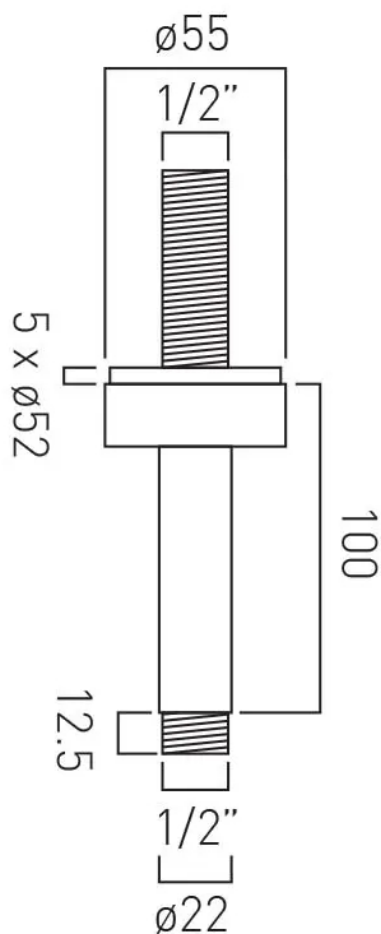
**where inspiration flows**  
taps | showering | accessories



# TECHNICAL DRAWING

**COLLECTION:** OMIKA NOIR

**PRODUCT CODE:** IND-CMA/RO/4IN-PB



tel: 01934 744466  
email: sales@vado.com  
www.vado.com

**where inspiration flows**  
taps | showering | accessories

