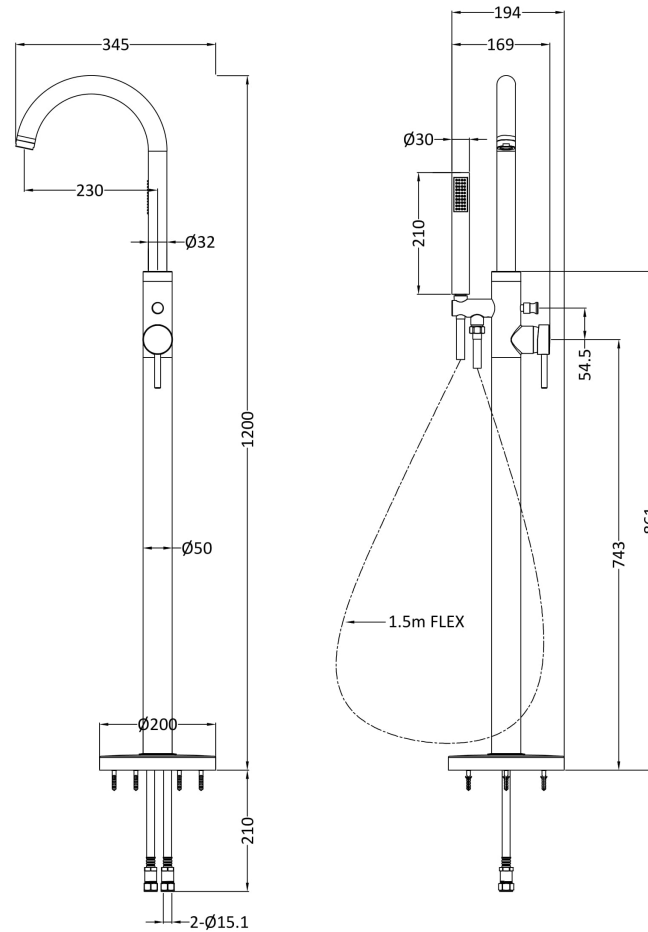


Sales Code: PN421

Description: Tec Elite Single Lever Mono Bsm



### Product Dimensions

|                   |      |
|-------------------|------|
| Height (mm):      | 1200 |
| Width (mm):       | 200  |
| Depth (mm):       | 345  |
| Length (mm):      |      |
| Nett Weight (kg): | 7.36 |

### Packaging Dimensions

|                    |      |
|--------------------|------|
| Height (mm):       | 250  |
| Width (mm):        | 295  |
| Depth (mm):        | 945  |
| Gross Weight (kg): | 7.36 |

### Packaging Data

|               |                     |
|---------------|---------------------|
| Box Colour:   | White Cardboard Box |
| Box Qty:      | 1                   |
| Label Size:   | 100 x 50            |
| Label Colour: | White Label         |
| Label Qty:    | 2                   |

### Outer Box Dimensions (If Applicable)

|                    |               |
|--------------------|---------------|
| Height (mm):       | 270           |
| Width (mm):        | 930           |
| Depth (mm):        | 235           |
| Length (mm):       |               |
| Gross Weight (kg): | 7             |
| Barcode:           | 5056462659060 |

### Product Details

|                           |                        |
|---------------------------|------------------------|
| Country of Origin:        | China                  |
| Fitting Instruction:      | No                     |
| Product Material:         | Brass/ABS              |
| Control Type:             | Manual                 |
| Waste Included:           | Waste Not Included     |
| Waste Type:               | Not Applicable         |
| WRAS Approval: No         | Approval No: N/A       |
| Valve/Cartridge Type:     | Single Lever Cartridge |
| Colour/Finish:            | Matt Black             |
| Mount Type:               | Floor Standing         |
| Operating Pressure (bar): | 1                      |

|                              |              |              |            |             |             |
|------------------------------|--------------|--------------|------------|-------------|-------------|
| Flow Rates: (Litres Per Min) | 0.1 bar: 2.2 | 0.5 bar: 6.7 | 1 bar: 9.5 | 2 bar: 13.5 | 3 bar: 16.5 |
| Pipe Size:                   | 15 mm        |              |            |             |             |
| Pipe Centres:                | N/A          |              |            |             |             |