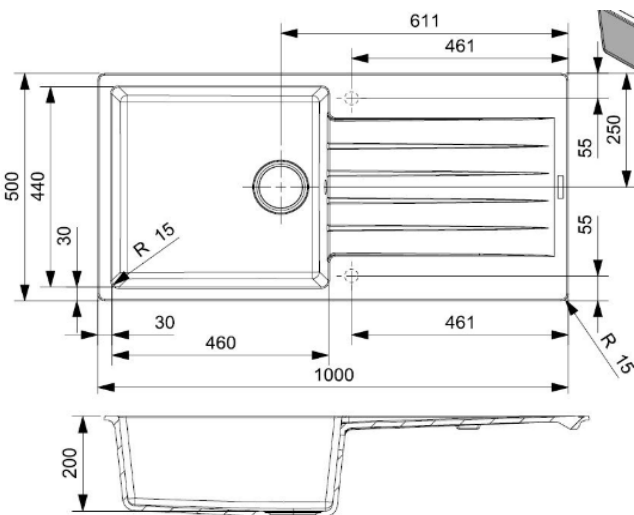


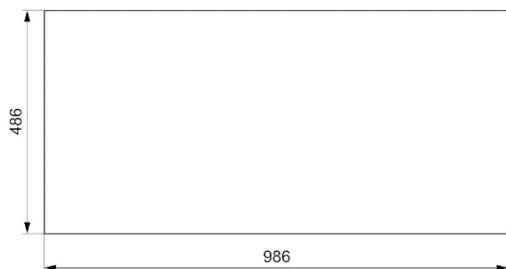
## Technical Specification Sheet

### Harlem 10 BS,GS,CS,PW

1 Granite bowl sink with drainer



### Cut out Drawing



### Additional Info

Produced with Axigran which is a mixture of granite & Quartz particles & resins 78% quartz and 22% resins. Min worktop thickness 20mm Size- Deepest part of the drainer is 15mm



# REGINOX

## Specification

Material	Granite
Finish	Matt / Metal
Colours	Black Silvery / Grey Silvery / Caffè Silvery / Pure White
No. of bowls	1
Fitting Method	Inset
Handing Options	Reversible
Cabinet Size (mm)	600
Overall Length (mm)	500
Overall Width (mm)	1000
Main Bowl Length (mm)	460
Main Bowl Width (mm)	440
Main Bowl Depth (mm)	200
Second Bowl Length (mm)	N/A
Second Bowl Width (mm)	N/A
Second Bowl Depth (mm)	N/A
Tap Hole Size (mm)	35
Tap Hole Instructions	Please see instructions supplied with the sink
Waste Kit Included (Yes/No)	Yes
Clips & Seals Included (Yes/No)	Yes
Waste Size (mm)	90mm
Waste Kit Code	Amsterdam/Harlem waste
Clips & Seals Code	Harlem Clips
Overflow Location	Main Bowl drainer side
Cut Out Length (mm)	486
Cut Out Width (mm)	986
Product Weight (kg)	20
Packed Weight (kg)	22
Packed Dimensions (mm)	L-1100,W-590,D-260

### EAN number

Black Silvery	8712465031254
Grey Silvery	8712465031261
Caffè Silvery	8712465031278
Pure White	8712465031247

### Warranty

10 Year warranty on the sink only | Serviceable Parts/waste kit etc is 1 year

### Care & Maintenance

Use warm soapy water to clean/maintain sink | Daily Clean spray & Antiscale products are available for deeper cleans | Never use any abrasive chemicals/cleaning products on the surface of the sink as this will invalidate the warranty if used.