

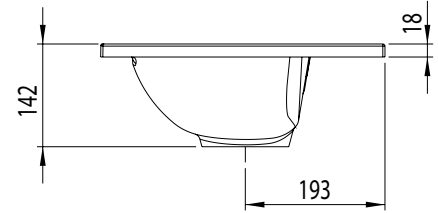
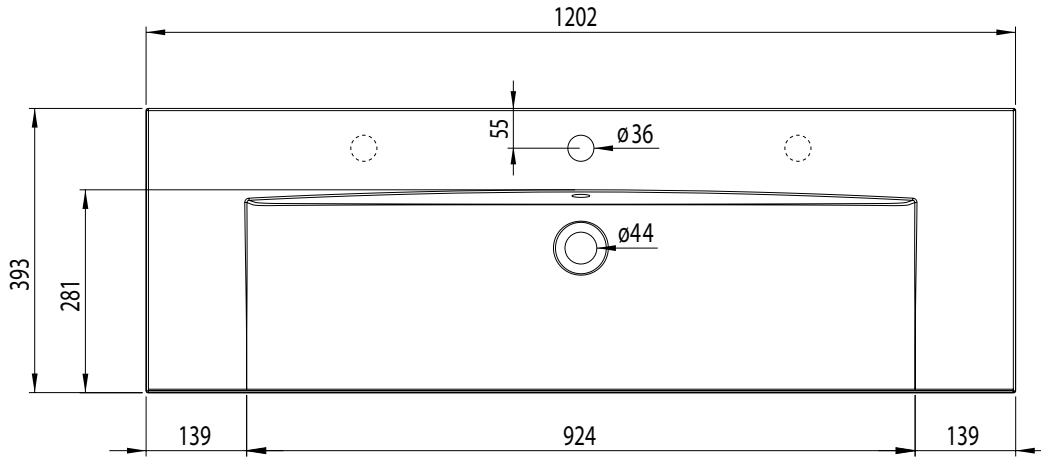
# Technical Data Sheet

# ROPER RHODES®

## Frame 1200mm Isocast Basin

Whats in the box: 1x FRM1200IS + Overflow Kit

\*Left & Right tap holes optional  
\*SEE INSTRUCTIONS\*



Diagrams not to scale  
All dimensions in mm  
tolerance of +5mm

\*\*Dimensions are subject to change, customers are advised to measure actual product before commencing installation.

### Materials

Basin: Isocast (Gloss Finish)

Has many names including:

- Gelcoat
- Cultured marble
- Cast mineral marble
- Synthetic marble

Base material is 70% natural (aggregate dolomite rock - calcareous magnesium carbonate). A misconception is that this material is completely manmade. The other 30% is a mixture of various polyester resins. 1.5 - 2.0mm Top coating of "gelcoat" which is the proprietary name for the polyester resin used to seal all top faces of the basin / worktop. Tolerance of +3/-0mm. Ceramic is more typically +5/-5mm. Fully tested against multiple stains which can either be removed with standard cleaners (autosol for example) or the specialist clean and shine repair kits.

### FAQs

- |  |                                 |
|--|---------------------------------|
| Q: What is the maximum water depth of the basin?                   | A: 72mm up to the overflow.     |
| Q: What is the internal depth?                                     | A: The internal depth is 120mm. |
| Q: Whats is the depth of the Tapledge?                             | A: The Tapledge is 115mm deep.  |
| Q: What's the distance from the Taphole centre to the Basin Waste? | A: 138mm.                       |
| Q: Are there marks for taphole options?                            | A: Yes, See instructions.       |