

FH TDRD01 C

Accessories
Traditional 145mm Round Fixed
Head Chrome



Specification

Product Type:	Fixed Shower Head
Main Construction Material:	Brass
Connection Inlet:	G 1/2" Female
Contemporary or Traditional:	Traditional
Finish Colour:	Chrome

Features:

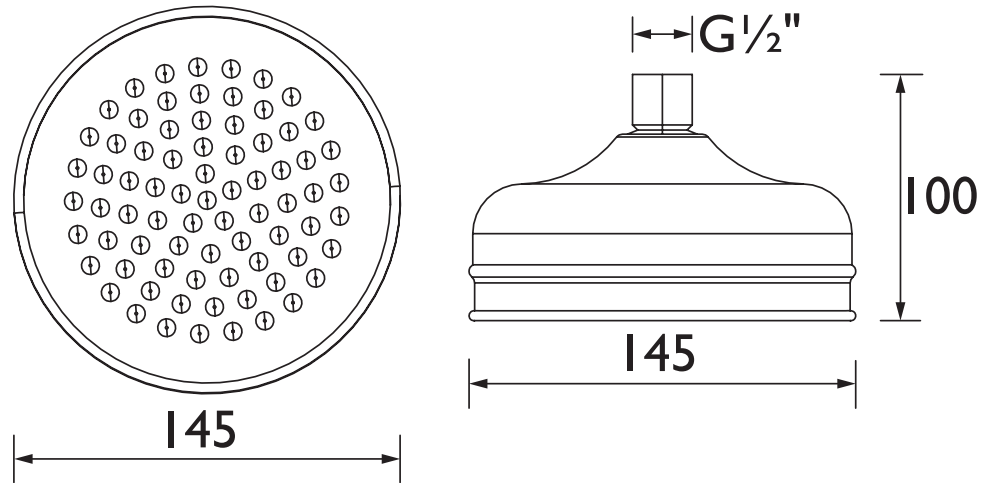
- Complete with swivel joint for angle adjustment

Product Certifications:

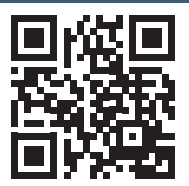


WRAS Cert. Number: 2007910
WRAS Expiry Date: 31/07/2025

Dimensions (measurements in mm)



For more products, visit our website:
<http://www.bristan.com>



TECHNICAL
DATA
SHEET



BRISTAN

D6