

Black - Comite single bowl Inset or Undermounted kitchen sink - Over Size: 440x440x211mm

General Information

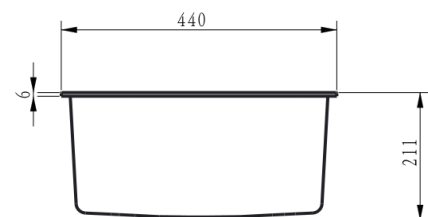
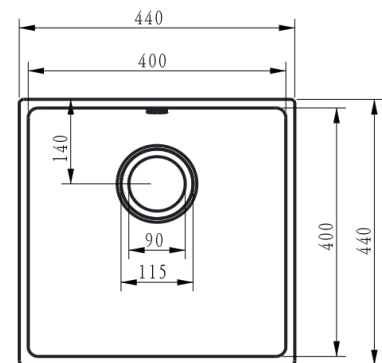
Code	PDT-000099
Barcode_1_(Single_Item)	5010000099008
SKU CAT No:	3
Category	Kitchens
Sub Category	Kitchen Sinks
Product_Weight_(KG)	5
Standards 1	EN 13310:2015+A1 2018 - Kitchen Sinks



Specification

Construction Material	Comite
Installation type	Inset or Undermounted
Colour / Finish	Matt Black
Certification	No
WRAS No:	n/a
Height (mm)	211
Width (mm)	440
Length / Depth (mm)	440
Material Thickness	8mm
Number of Bowls:	1
Bowl	Single
Suitable for a waste disposer	Yes
Antibacterial Coating	Yes
Scratch Resistant	Yes
Wastes and overflows included	No
Tap Hole provided	No
Minimum Cabinet Size:	460mm
Main Bowl Capacity	32L Approx
Heat Resistance	180°C
Waste Size	90mm
Bowl Shape	Square
Surface treatment	Smooth
Finish	Matt Black
Main Bowl Length (mm)	400
Main Bowl Width (mm)	400
Main Bowl Depth (mm)	211
Side Bowl Length (mm)	n/a
Side Bowl Width (mm)	n/a
Side Bowl Depth (mm)	n/a

Dimensions



The information contained on this page was correct at date of issue. Fitting dimensions are provided as a guide only. Some variation may occur due to manufacturing tolerances. Ellsi Ltd peruses a policy of continuing improvement in design and performance of its products and so reserves the right to change specifications without prior notice.