



TECHNICAL SPECIFICATION

PDT-000055

Tivoli Brushed Stainless Steel Kitchen Mixer Tap with Swivel Spout - Swan Neck

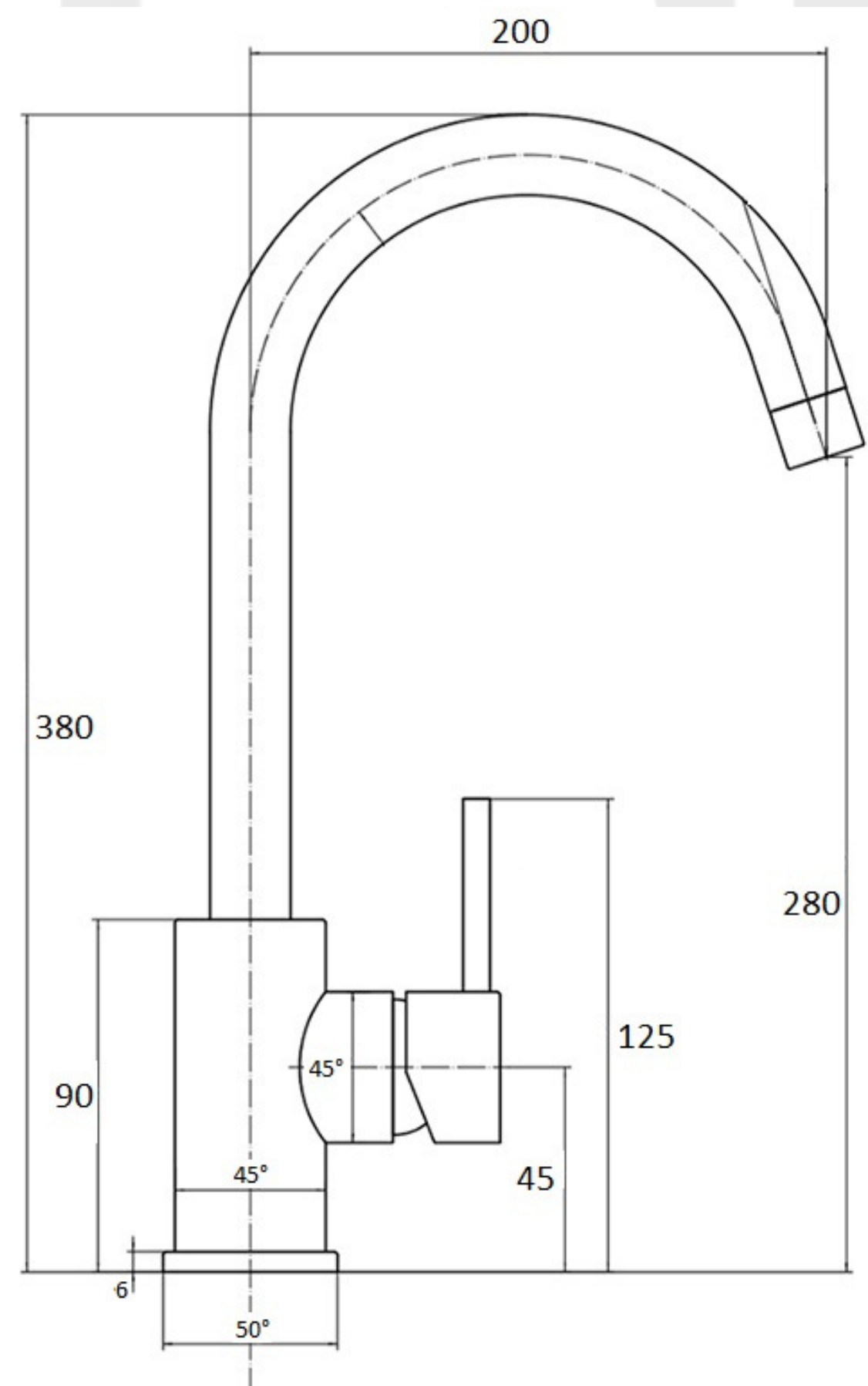
General Information

Standards 1	n/a
Construction Material	S/S 304
Installation type	Deck Mounted
Colour / Finish	Brushed Nickel
Certification	WRAS Approved
WRAS No:	2009039



Specification

Waste Included:	No
Tap Tails Included:	Yes
Style:	Contemporary
Minimum Working Pressure:	0.5
Maximum Working Pressure:	5
Cartridge Type:	35mm Cartridge
Thermostat Cartridge Type:	n/a
Flow Type:	Single Flow
Number of Tap Holes Required:	1
Handle Type:	Lever
Swivel Spout:	Yes
Inlet Connection:	1/2" BSP Flexible Tails
Tap Hole Diameter:	35mm
Height (mm):	380
Width (mm):	225
Length / Depth (mm):	50
SKU CAT No:	3
Category:	Kitchens
Sub Category:	Kitchen Taps
Product Weight (KG):	1.1
Carton Quantity (Pcs):	20
EAN:	5010000055004
Supply:	Suitable for most plumbing systems, preferably balanced



Flow Rates

Litres Per Minute

0.2bar	0.5bar	1bar	2bar	3bar
5.2	6	7.6	10	12

T: 01724 847397 or E: SALES@ELLSI.CO.UK