



TECHNICAL SPECIFICATION

PDT-000048

3-in-1 Instant hot water kitchen tap - Polished Gold Finish

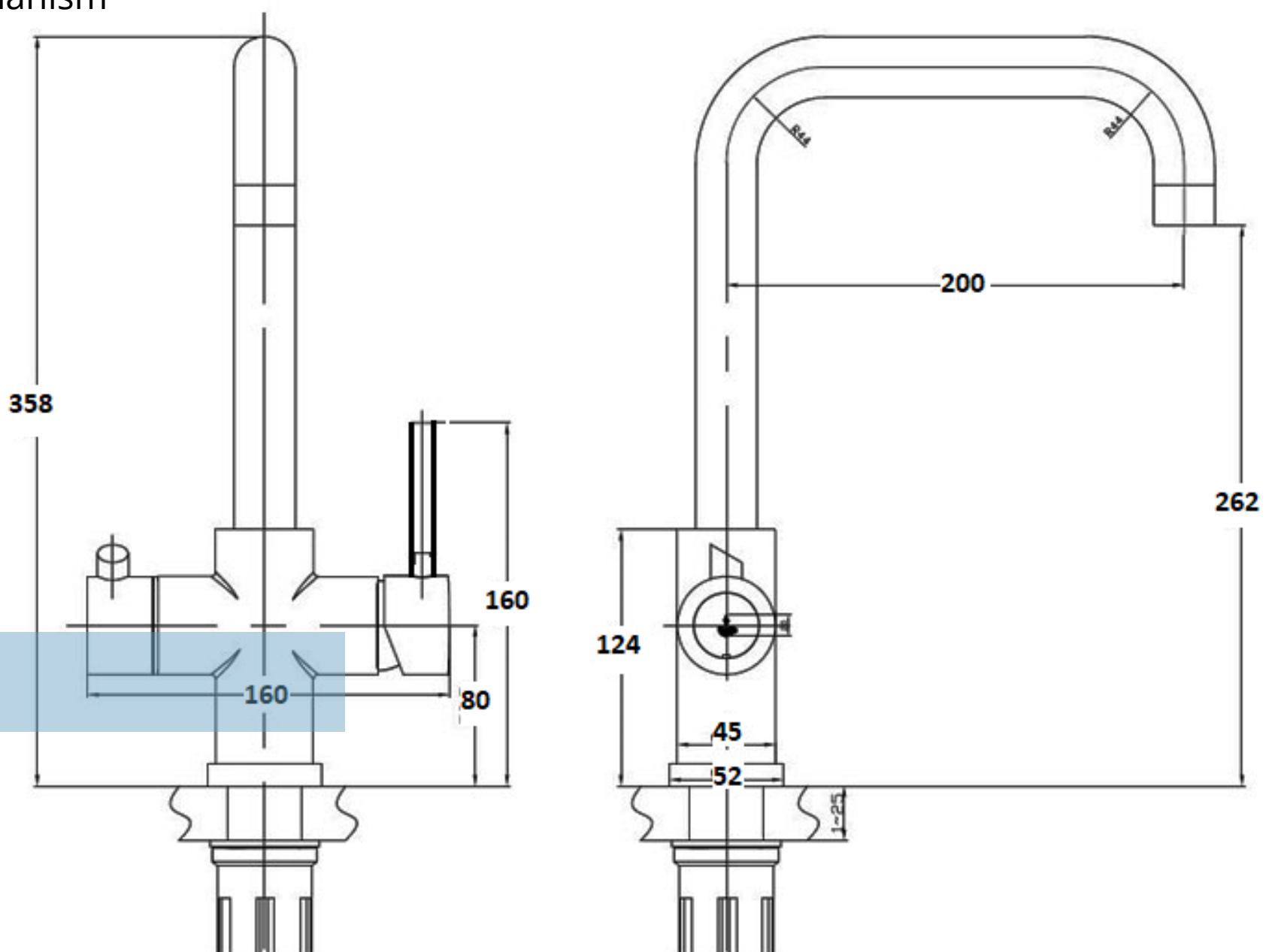
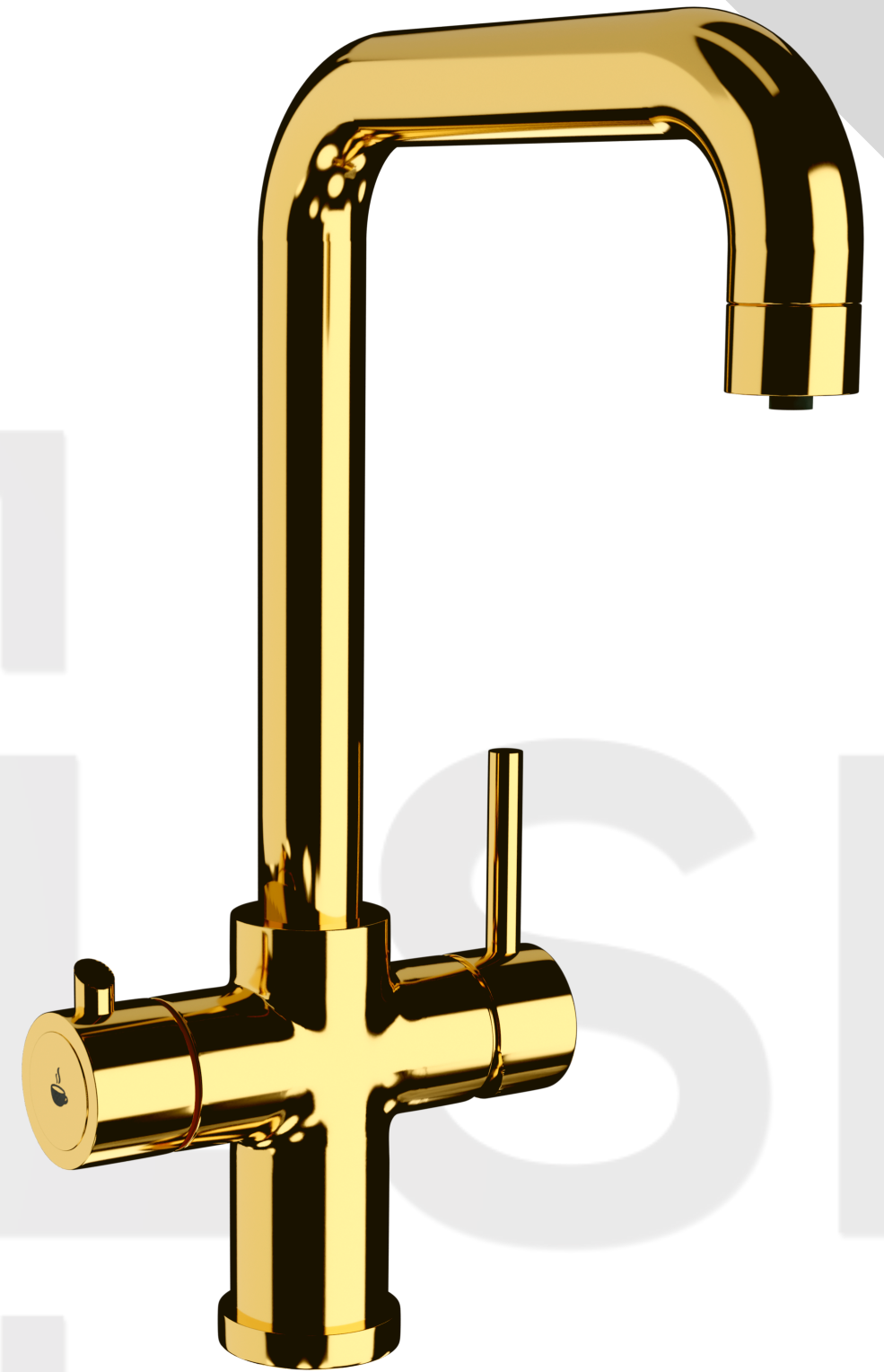


General Information

| | |
|-----------------------|----------------|
| Standards 1 | BS EN 200:2008 |
| Construction Material | Brass |
| Installation type | Deck Mounted |
| Colour / Finish | Polished Gold |
| Certification | WRAS |
| WRAS No: | Pending |

Specification

| | |
|------------------------------------|--|
| Waste Included | No |
| Tap Tails Included | Yes |
| Style | Contemporary |
| Minimum Working Pressure | 1 |
| Maximum Working Pressure | 3 |
| Cartridge Type | 35mm |
| Thermostat Cartridge Type | n/a |
| Flow Type | Tri Flow |
| Number of Tap Holes Required: | 1 |
| Handle Type | Lever |
| Swivel Spout: | Yes |
| Inlet Connection: | 1/2" BSP Flexible Tails |
| Supply: | Suitable for all plumbing systems, preferably balanced |
| Tap Hole Diameter: | 35mm |
| Type | Boiler Taps |
| Child Lock | Spring lock mechanism |
| Hot Water Dispenser Handle | Left side |
| Standard Hot and Cold Water Handle | Right Side |
| Height (mm): | 358 |
| Width (mm): | 160 |
| Length / Depth (mm): | 235 |
| SKU CAT No: | 3 |
| Category: | Kitchens |
| Sub Category: | Hot Water Taps |
| Product Weight (KG): | 1.6 |
| Carton Quantity (Pcs): | 10 |
| EAN: | 5010000048006 |



Flow Rates

Litres Per Minute

| 0.2bar | 0.5bar | 1bar | 2bar | 3bar |
|--------|--------|------|------|------|
| 3.8 | 6 | 7.2 | 8 | 9.2 |

T: 01724 847397 or E: SALES@ELLSI.CO.UK