



TECHNICAL SPECIFICATION

PDT-000022

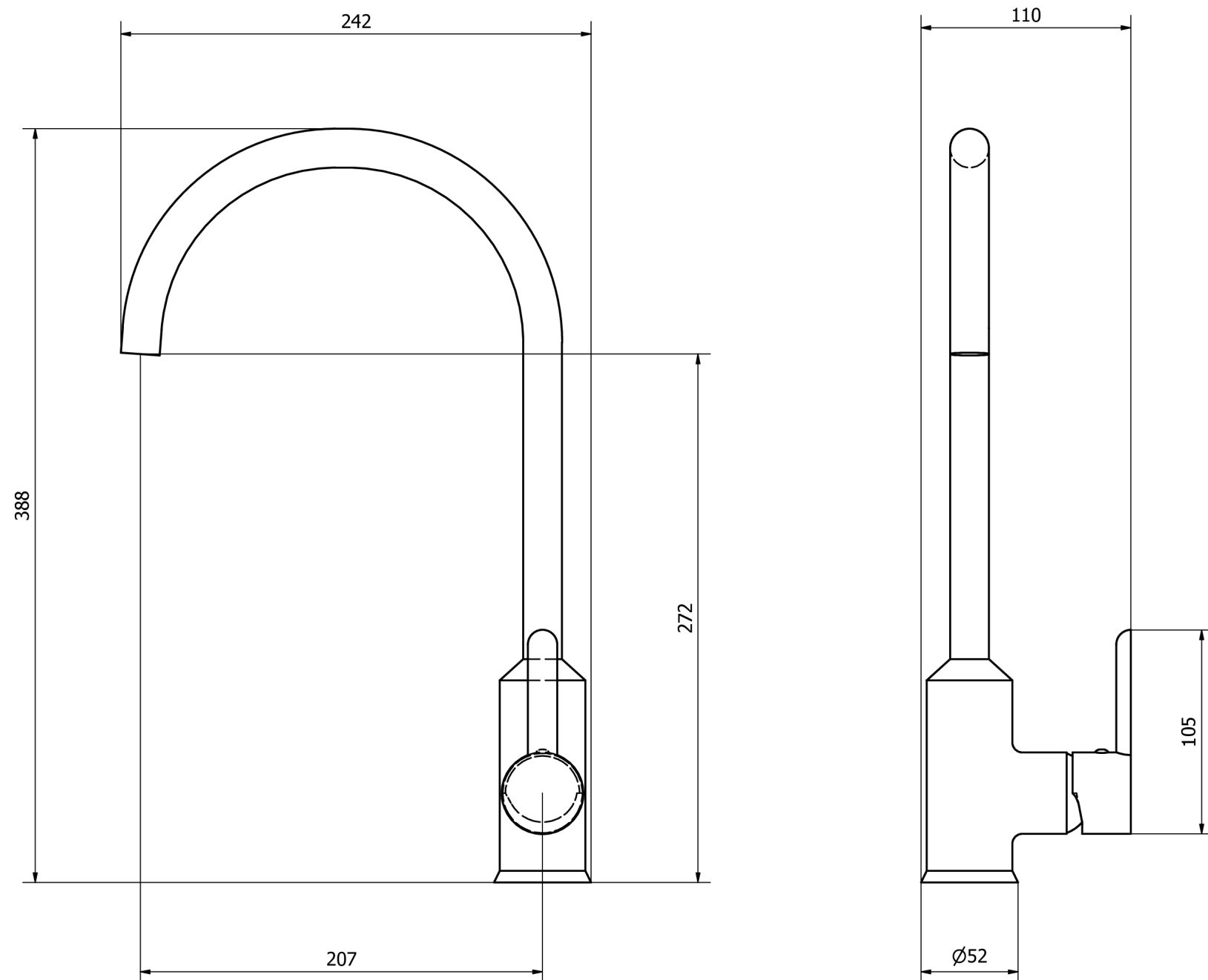
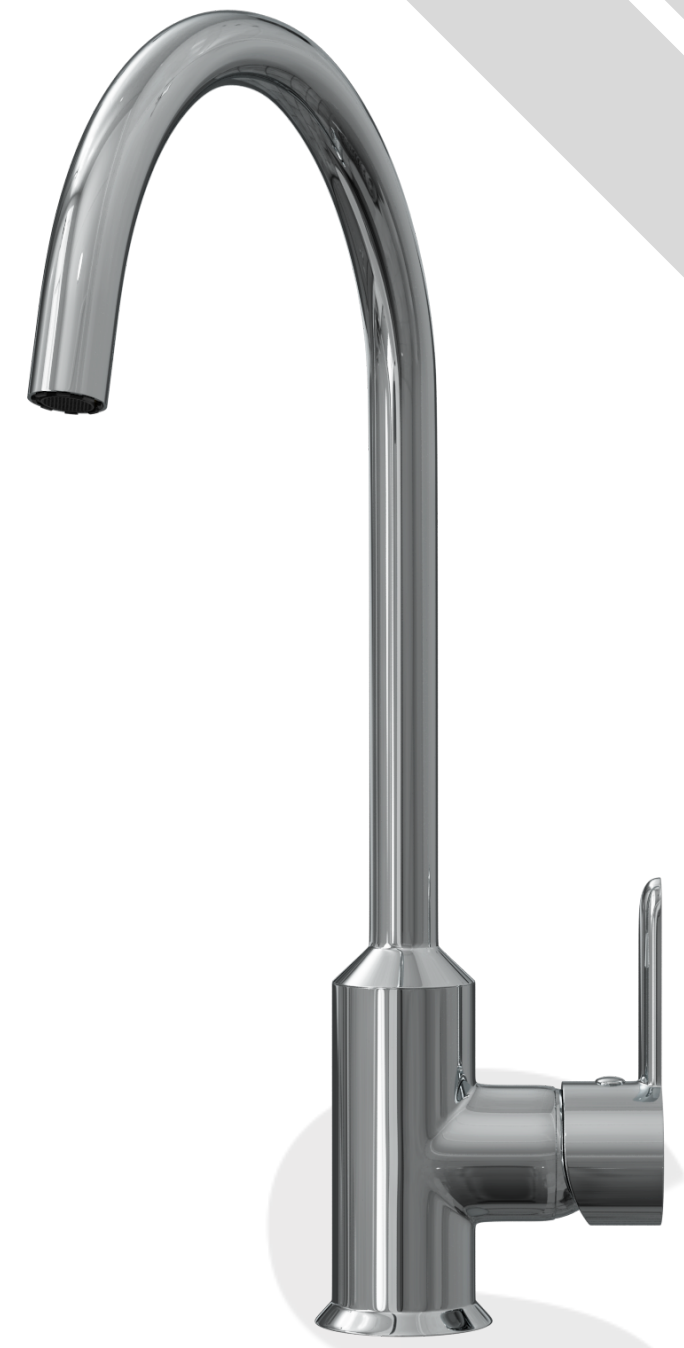
Entice Kitchen Sink Mixer with Swivel Spout & Single Lever - Chrome Finish

General Information

Standards 1	TS EN 200
Construction Material	Brass
Installation type	Deck Mounted
Colour / Finish	Chrome
Certification	No
WRAS No:	No

Specification

Waste Included:	No
Tap Tails Included:	Yes
Style:	Contemporary
Minimum Working Pressure:	0.5
Maximum Working Pressure:	5
Cartridge Type:	35mm Cartridge
Thermostat Cartridge Type:	n/a
Flow Type:	Single Flow
Number of Tap Holes Required:	1
Handle Type:	Lever
Swivel Spout:	Yes
Inlet Connection:	1/2" BSP Flexible Tails
Tap Hole Diameter:	35mm
Height (mm):	388
Width (mm):	100
Length / Depth (mm):	242
SKU CAT No:	3
Category:	Kitchens
Sub Category:	Kitchen Taps
Product Weight (KG):	1.7
Carton Quantity (Pcs):	5
EAN:	5010000022006
Supply:	Suitable for most plumbing systems, preferably balanced



Flow Rates

Litres Per Minute

0.2bar	0.5bar	1bar	2bar	3bar
3.4	4.5	6.4	7.8	9

T: 01724 847397 or E: SALES@ELLSI.CO.UK