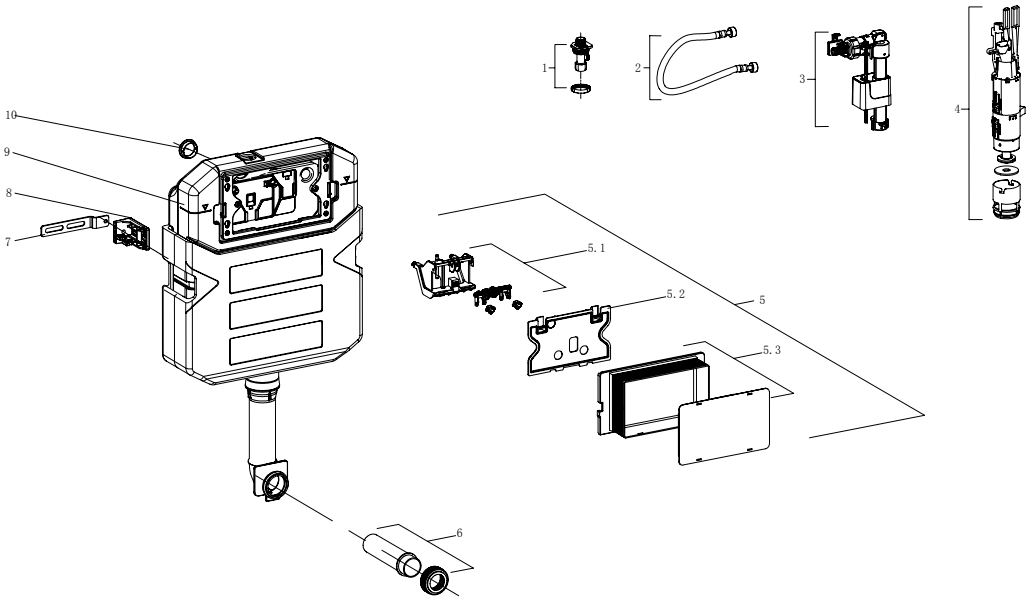


# **installation** instructions

Dual Flush Concealed Cistern



## WC Cistern incorporating:

No.	Description	Quantity
1	Isolation Valve	1
2	Universal Filling Hose	1
3	Fill Valve	1
4	Dual Flush Syphon	1
5	Cistern Tile Guide	1
6	Flush Pipe	1
7	Wall Mount Arm	2
8	Cistern Mount Bracket	2
9	Cistern	1
10	Blanking Plug	1

## Tools required (not supplied)

- Tape Measure
- Level
- Pencil
- Electric Drill
- 10mm Drill Bit
- Screwdriver PH3
- Screwdriver PH2
- Large Straight Blade Screwdriver
- Spanner / Socket Set
- Hacksaw
- Retractable Blade Knife
- PTFE Tape

## Important Information

### PLEASE READ THESE INSTRUCTIONS THOROUGHLY BEFORE STARTING INSTALLATION.

Check the pack and make sure you have all the parts listed.

Remove all cardboard protection attached to the frame prior to installation.

All floor types need to be as flat and level as possible.

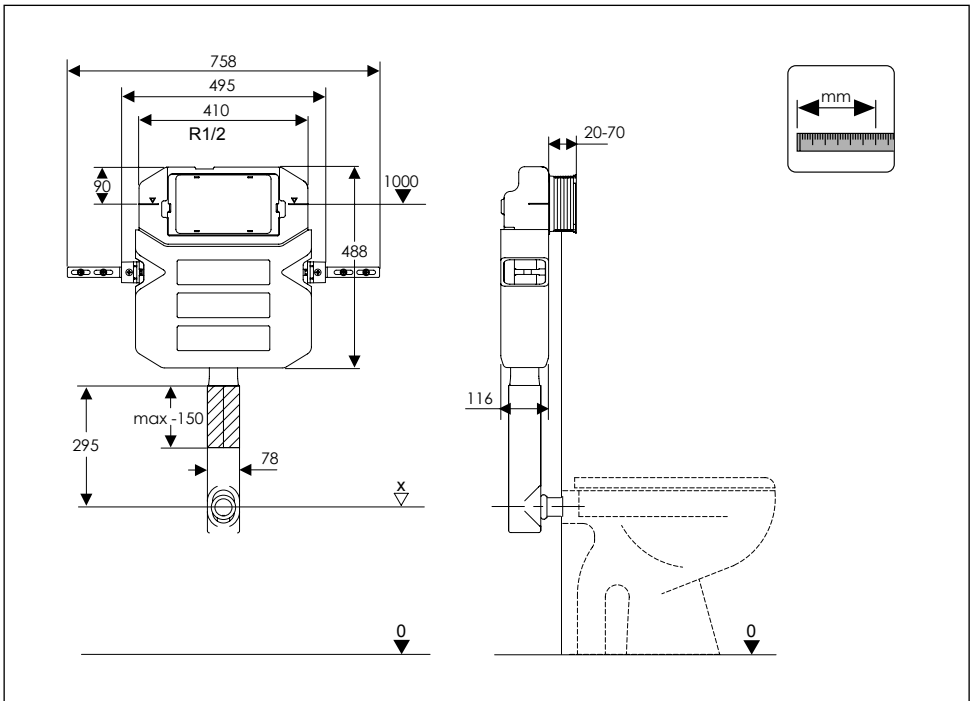
When drilling or fixing into walls or floor it is essential that you check for pipes or wires before commencing.

### Site Preparation

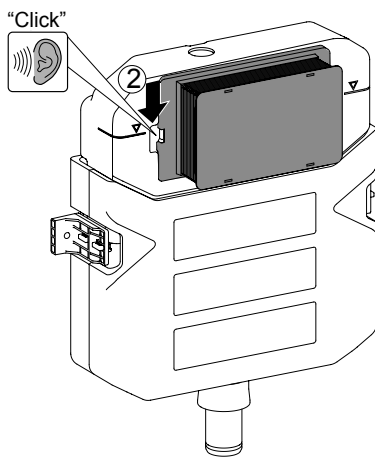
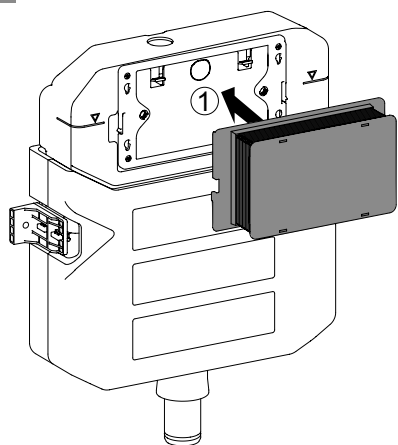
All floor types need to be clean, dry and dust free.

All floor types need to be as flat and level as possible.

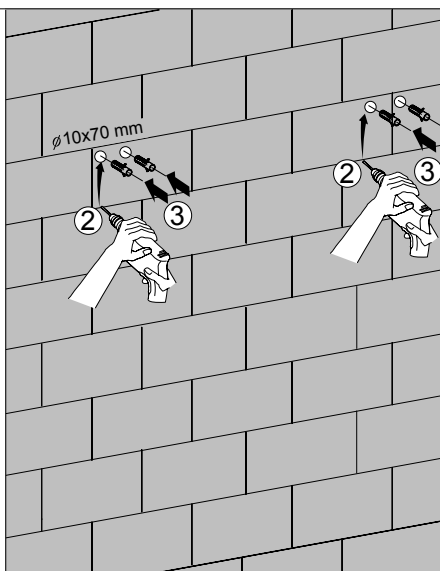
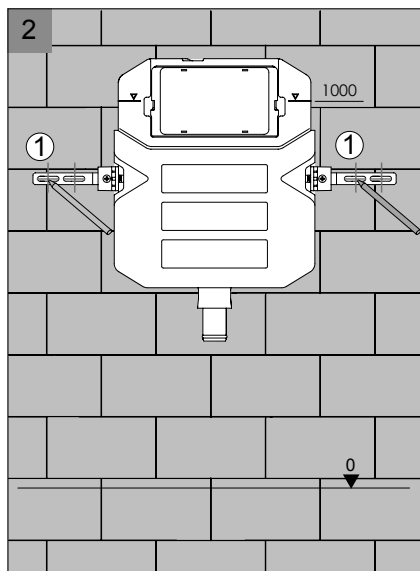
Floor boards must be securely fixed down prior to installation.



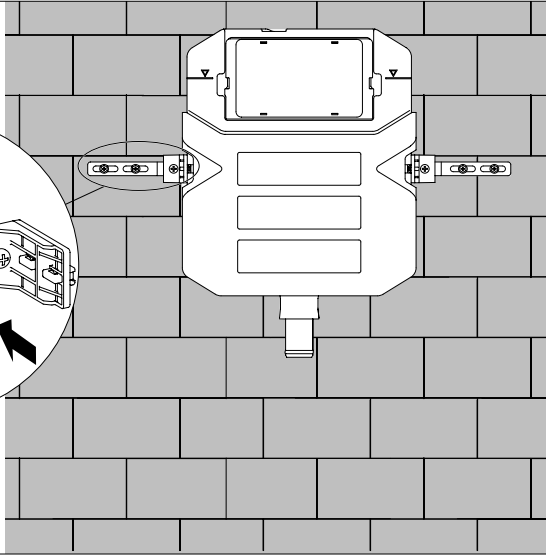
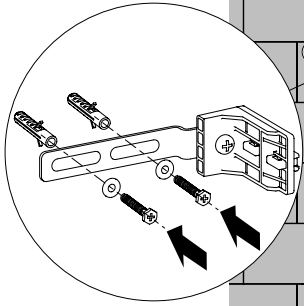
1



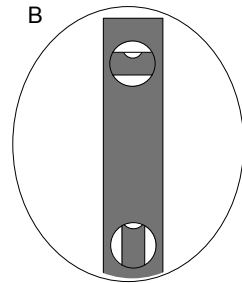
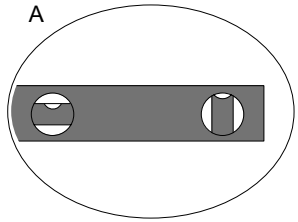
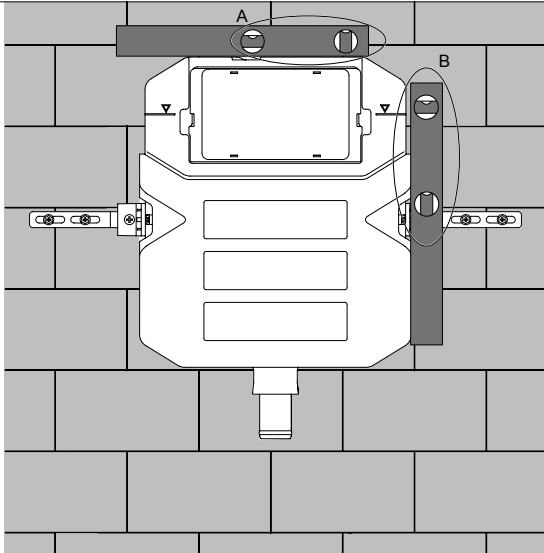
2

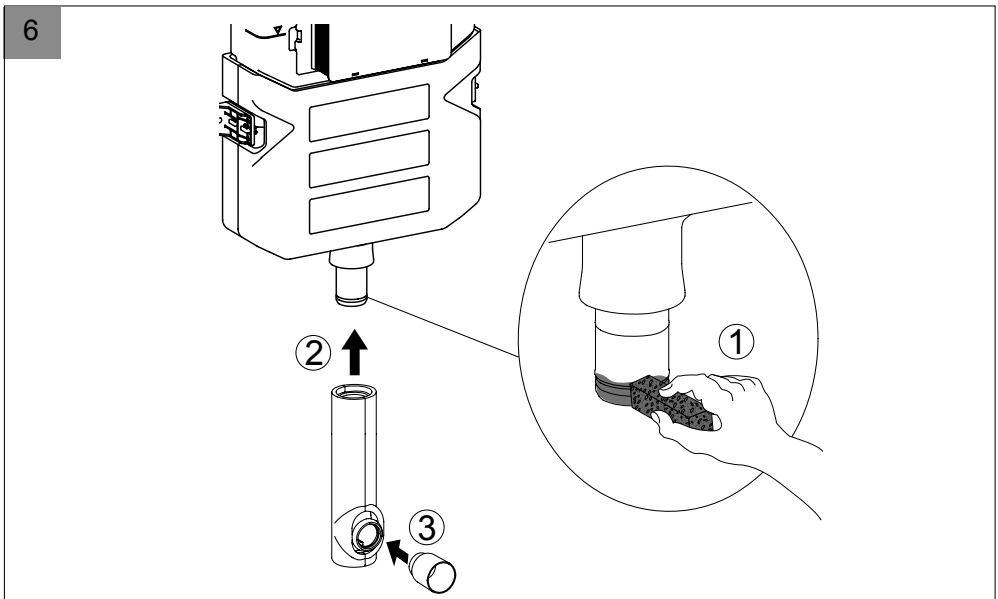
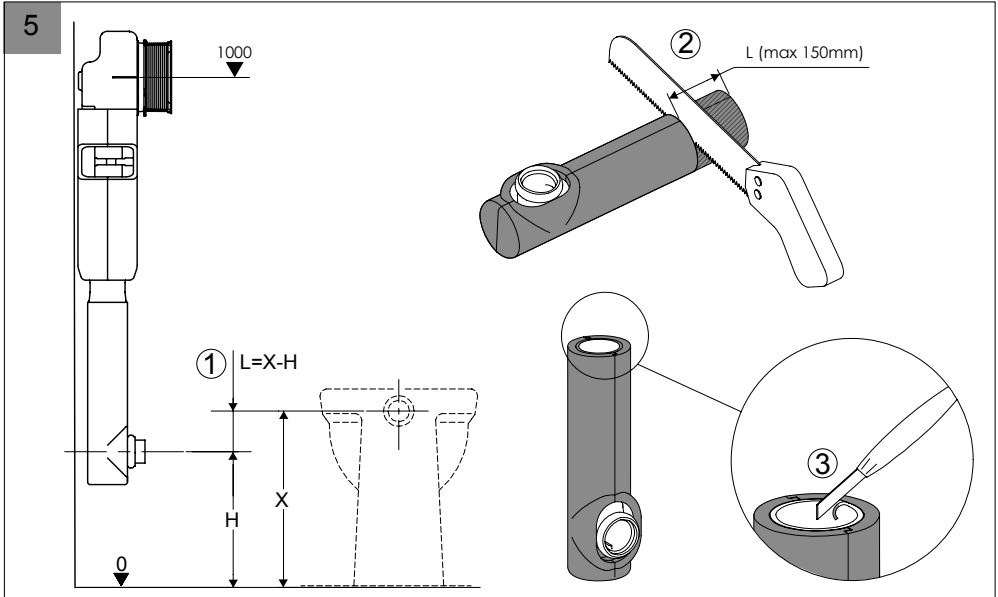


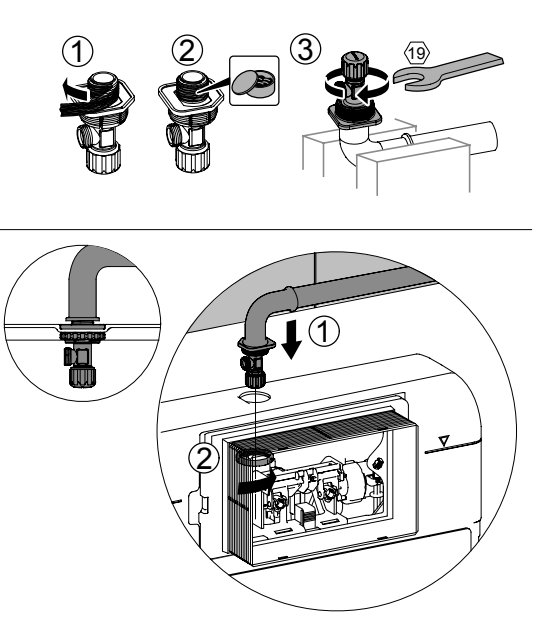
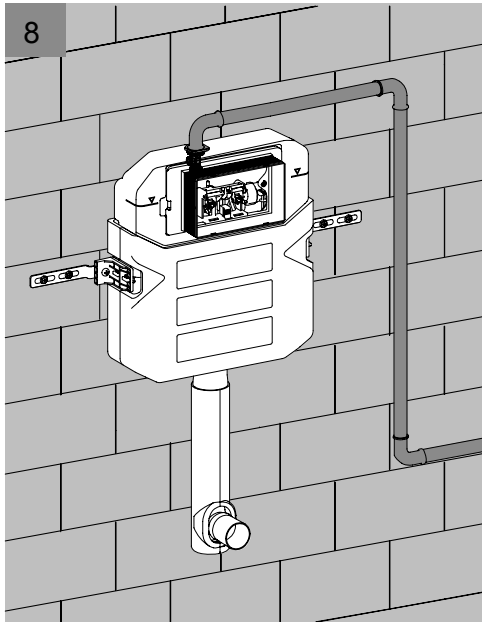
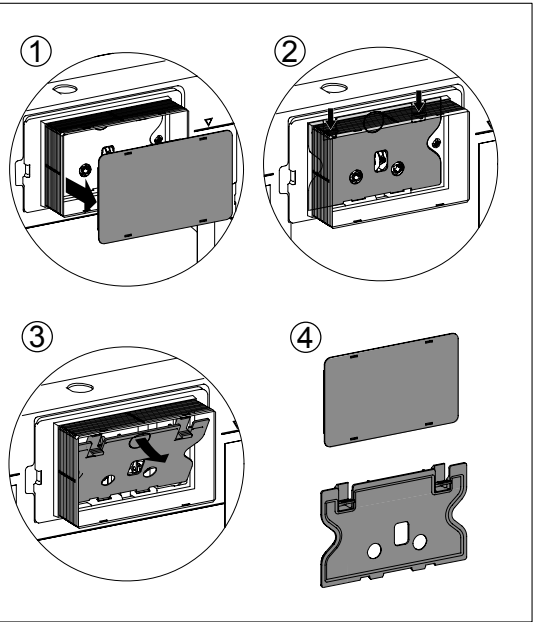
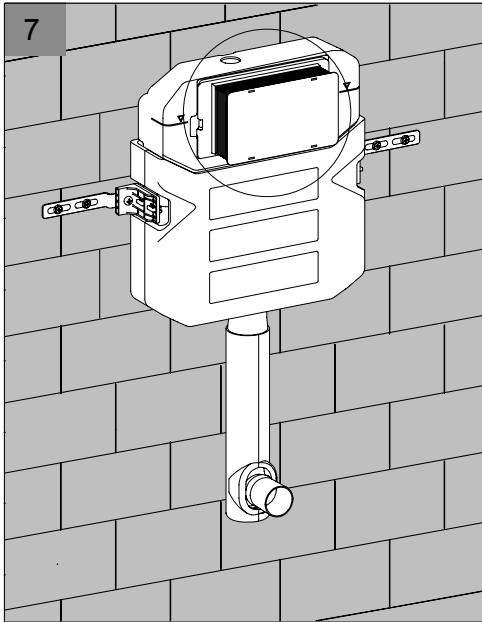
3

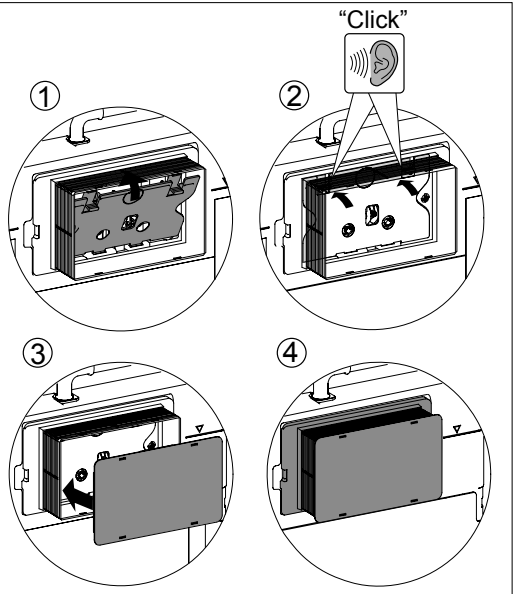
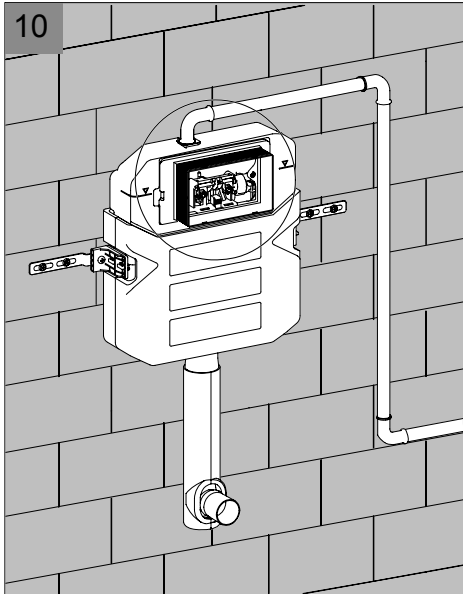
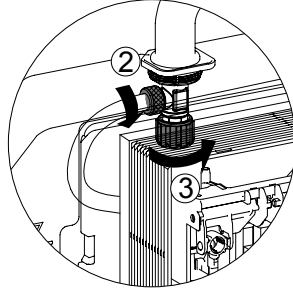
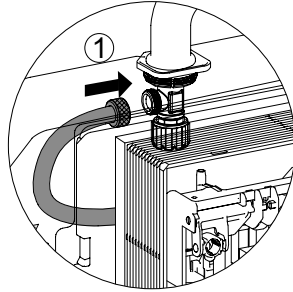
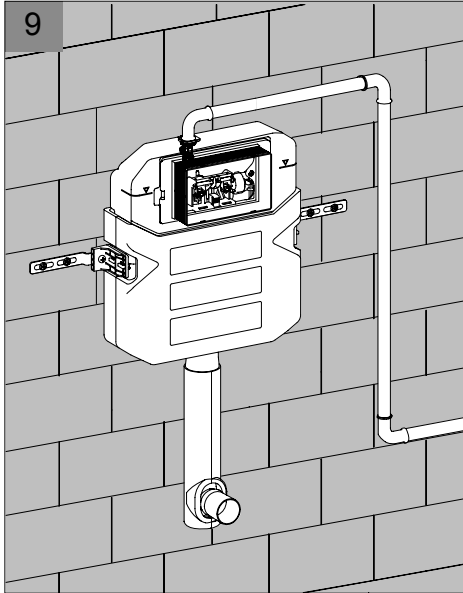


4



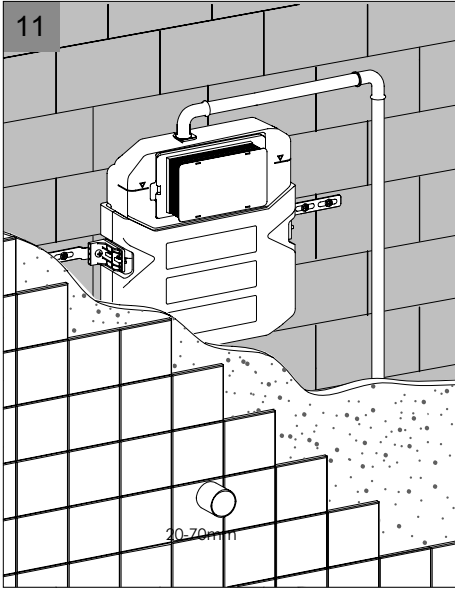




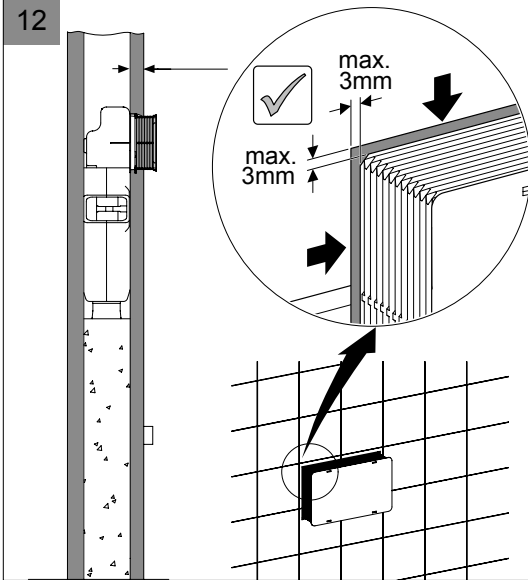




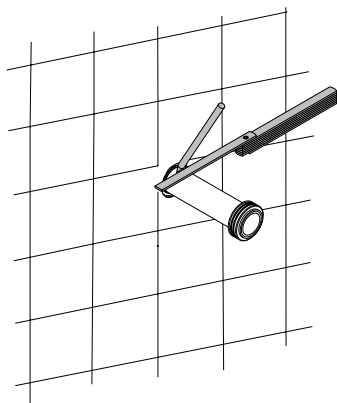
11



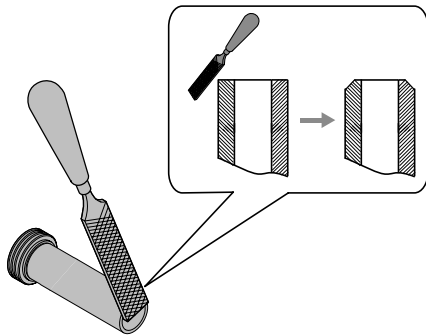
12



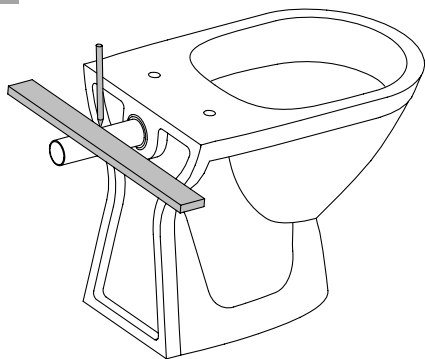
1



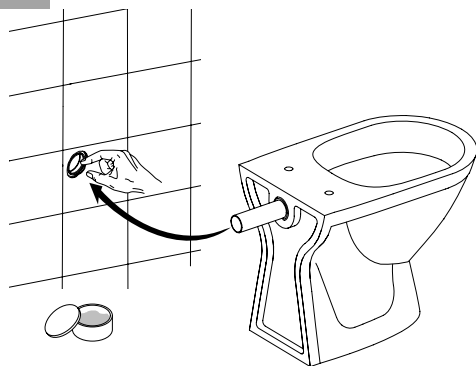
4



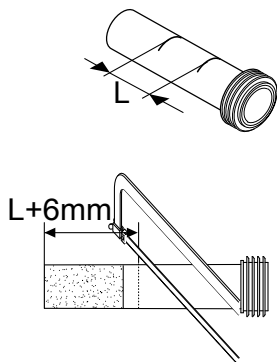
2



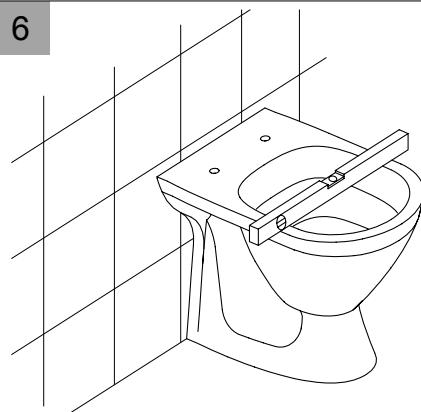
5



3



6



## Maintenance Assistance

Should you ever need access to the cistern is fully maintainable from behind the Flush Plate without a secondary access panel.

To remove the Flush Plate apply gentle pressure to the underside or left hand side of the Flush Plate (depending on flush plate style) and carefully remove this and put safely to one side. The Cistern is accessed by removing the plastic plate on the front.

### To Remove the Siphon

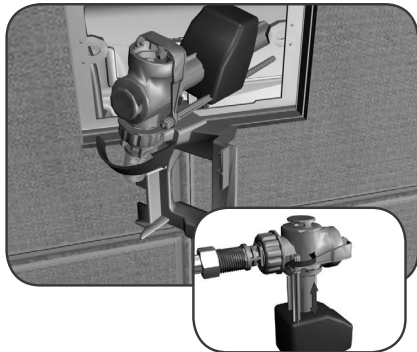
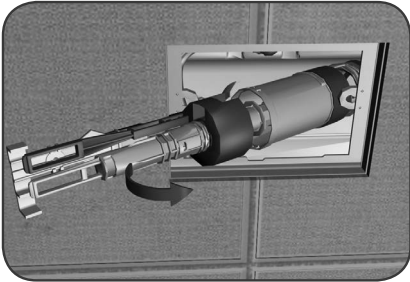
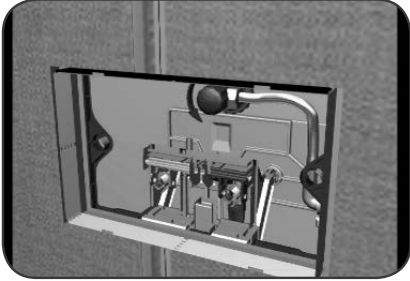
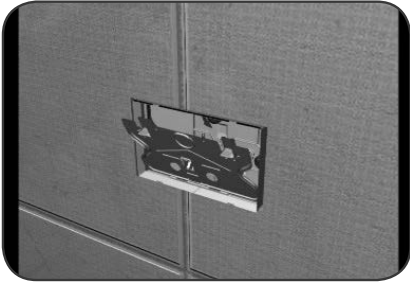
**Important!** Before removing or inspecting either the Ball Valve or Siphon, please ensure that the water supply to the cistern has been isolated. The has an integrated shut off valve and the water supply into the cistern can be isolated by a clockwise turn of the valve either using a straight bladed screwdriver.

First remove Bracket. The Siphon is held in place against the rear wall of the cistern by a clip section, apply a little pressure to the either side of the clip to release it. Remove and put to one side.

### To Remove the Ball Valve

Carefully unscrew the Flexi Pipe that connects the Ball Valve to the Brass Water Inlet Valve. The Ball Valve is held in position clipped to plastic housing fixed to the front and rear of the Cistern. Gently squeeze the clip and slide up.

The Ball Valve float can be adjusted to raise or lower the water level within the cistern if required. The threaded rod connecting the float to the top hinge can be adjusted either by hand or using a PH2 Screwdriver; clockwise to raise the float (raise the water level within the system) or anti-clockwise to lower the float (lower the water level within the system).



CE

13

EN 14055:2010  
K130 Cistern

<b>Essential characteristics</b>	<b>Performance</b>	<b>Harmonised technical specification</b>
Watertightness/Leaktightness	Pass	EN 14055:2010, Clause 5.2.8
Endurance	Pass	EN 14055:2010, Clause 5.2.9
Noise Level	I	EN 14055:2010, Clause 8
Flushing Volume	Pass (9)	EN 14055:2010, Clause 5.2.1
Durability	Pass	EN 14055:2010, Clause 5.2.11

For any further information please contact your merchant

The manufacturer reserves the right to make technical modifications without prior notice.