

installation instructions

Dual Flush Concealed Cistern

Tools required (not supplied)

- Tape Measure
- Level
- Pencil
- Electric Drill
- 10mm Drill Bit
- Screwdriver PH3
- Screwdriver PH2
- Large Straight Blade Screwdriver
- Spanner / Socket Set
- Hacksaw
- Retractable Blade Knife
- PTFE Tape

Important Information

PLEASE READ THESE INSTRUCTIONS THOROUGHLY BEFORE STARTING INSTALLATION.

Check the pack and make sure you have all the parts listed.

Remove all cardboard protection attached to the frame prior to installation.

All floor types need to be as flat and level as possible.

When drilling or fixing into walls or floor it is essential that you check for pipes or wires before commencing.

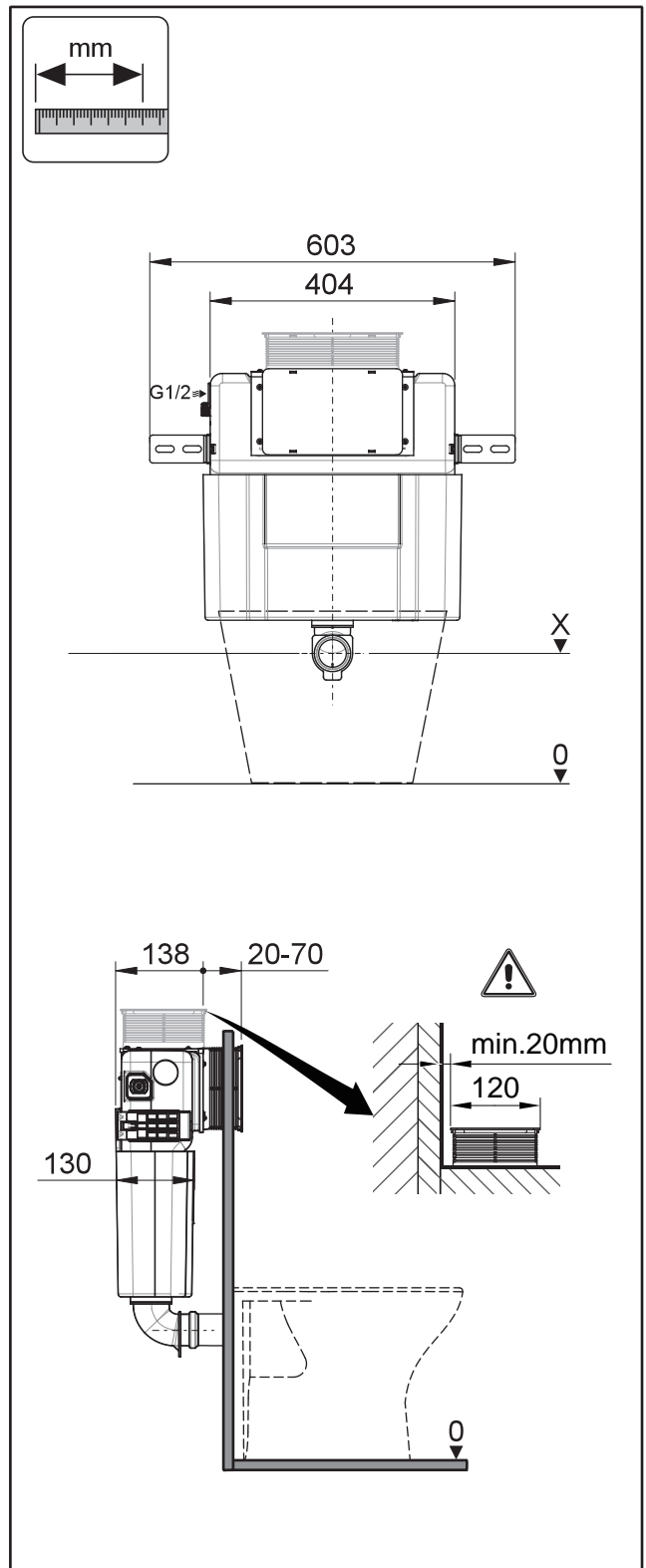
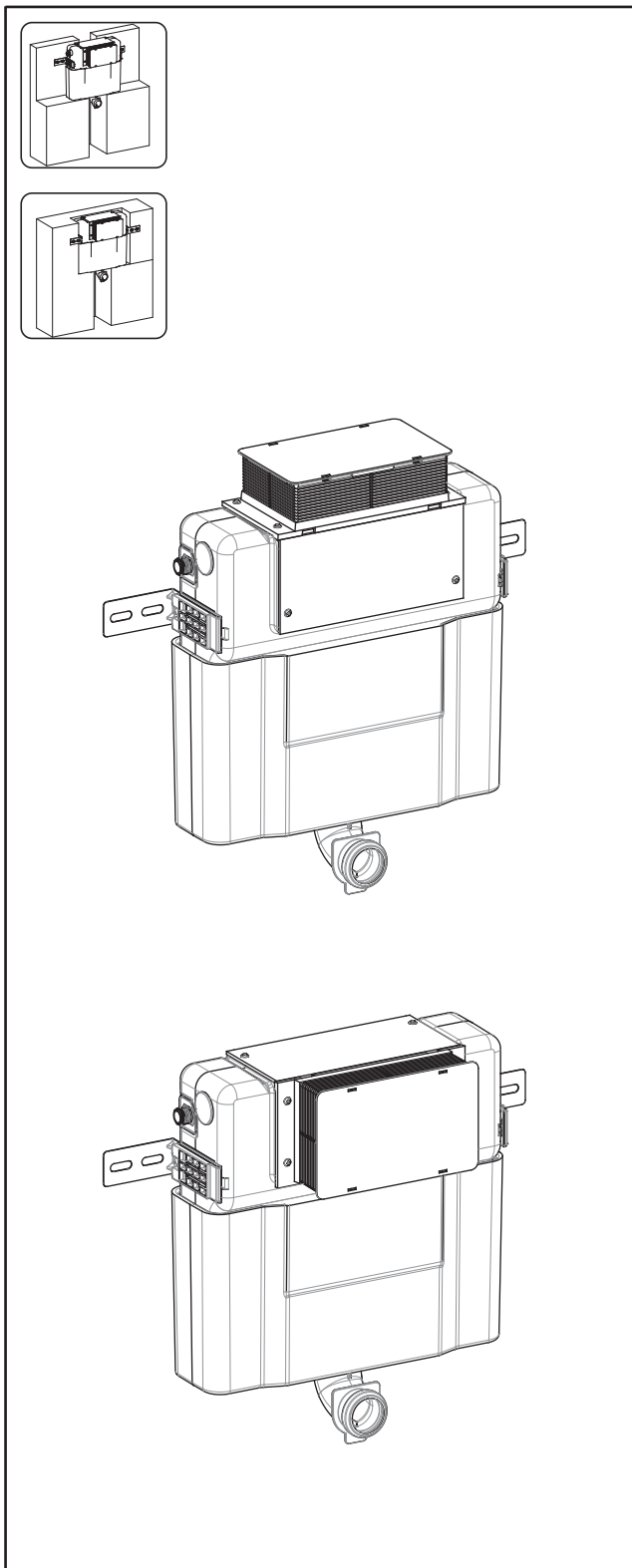
Site Preparation

All floor types need to be clean, dry and dust free.

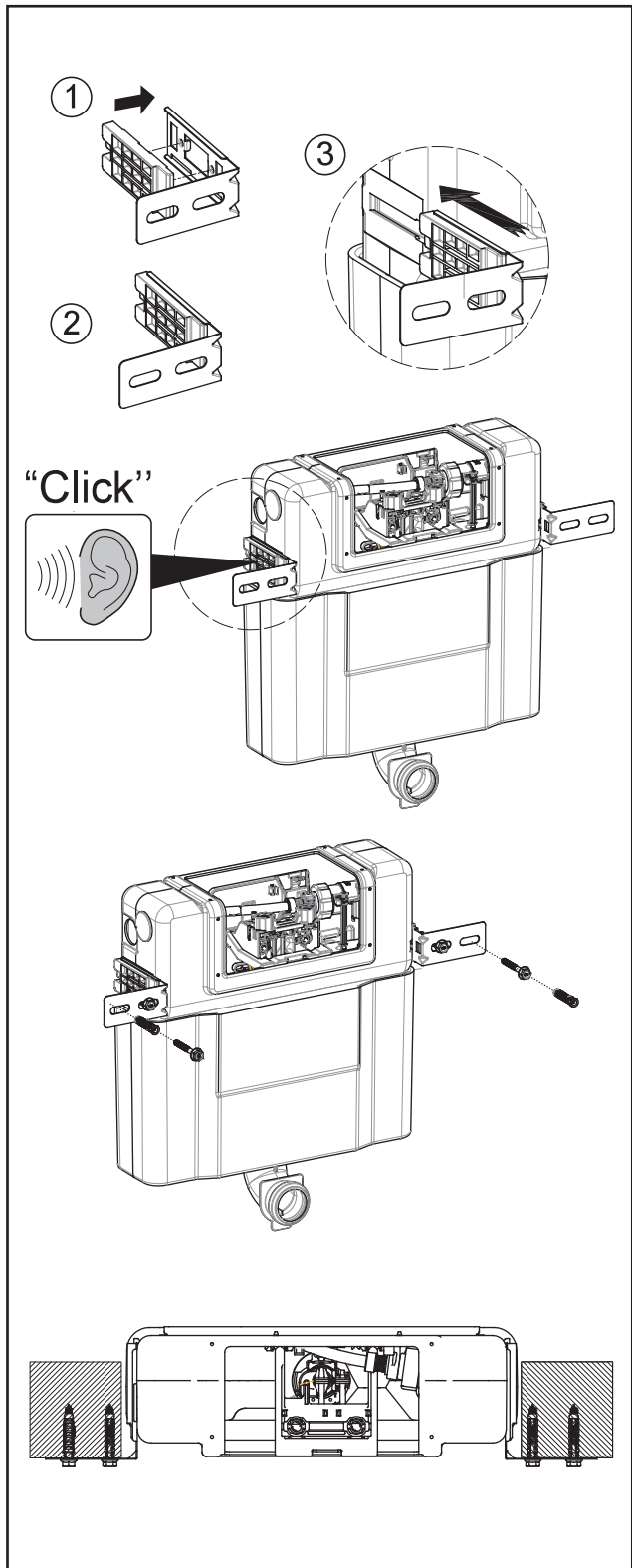
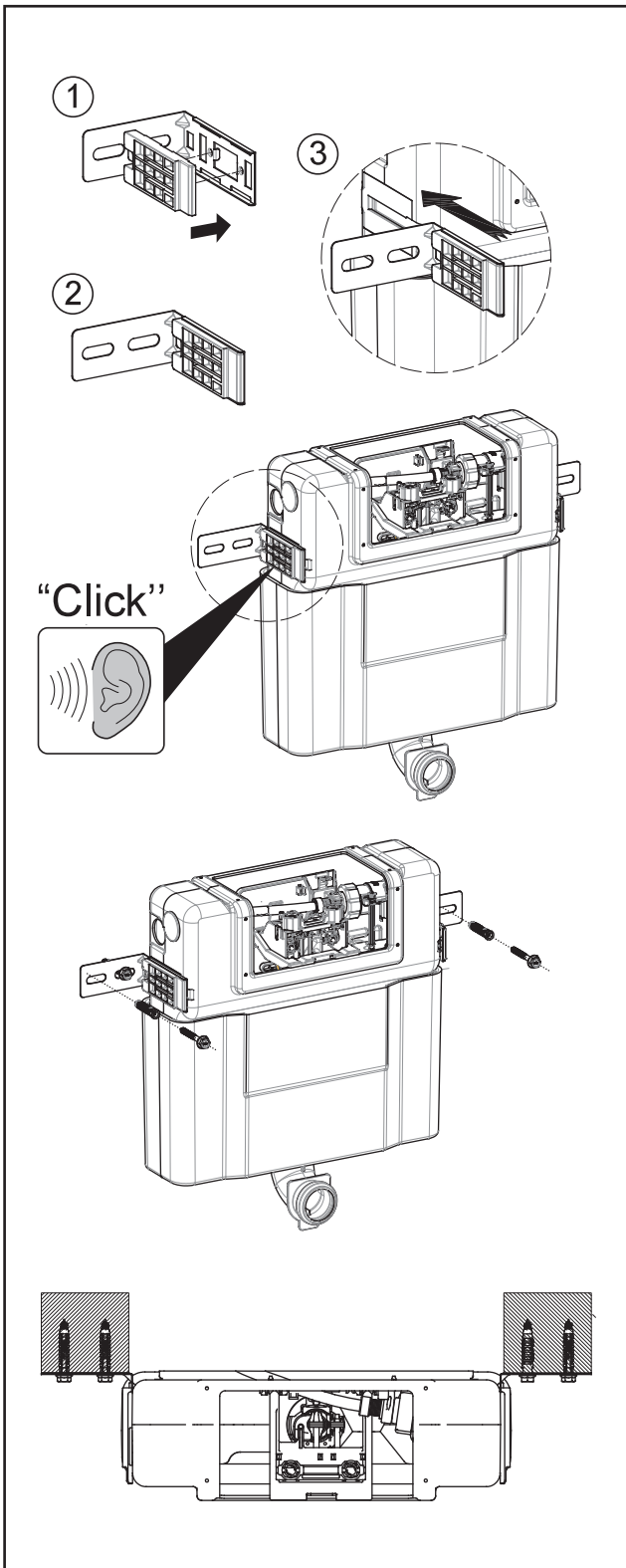
All floor types need to be as flat and level as possible.

Floor boards must be securely fixed down prior to installation.

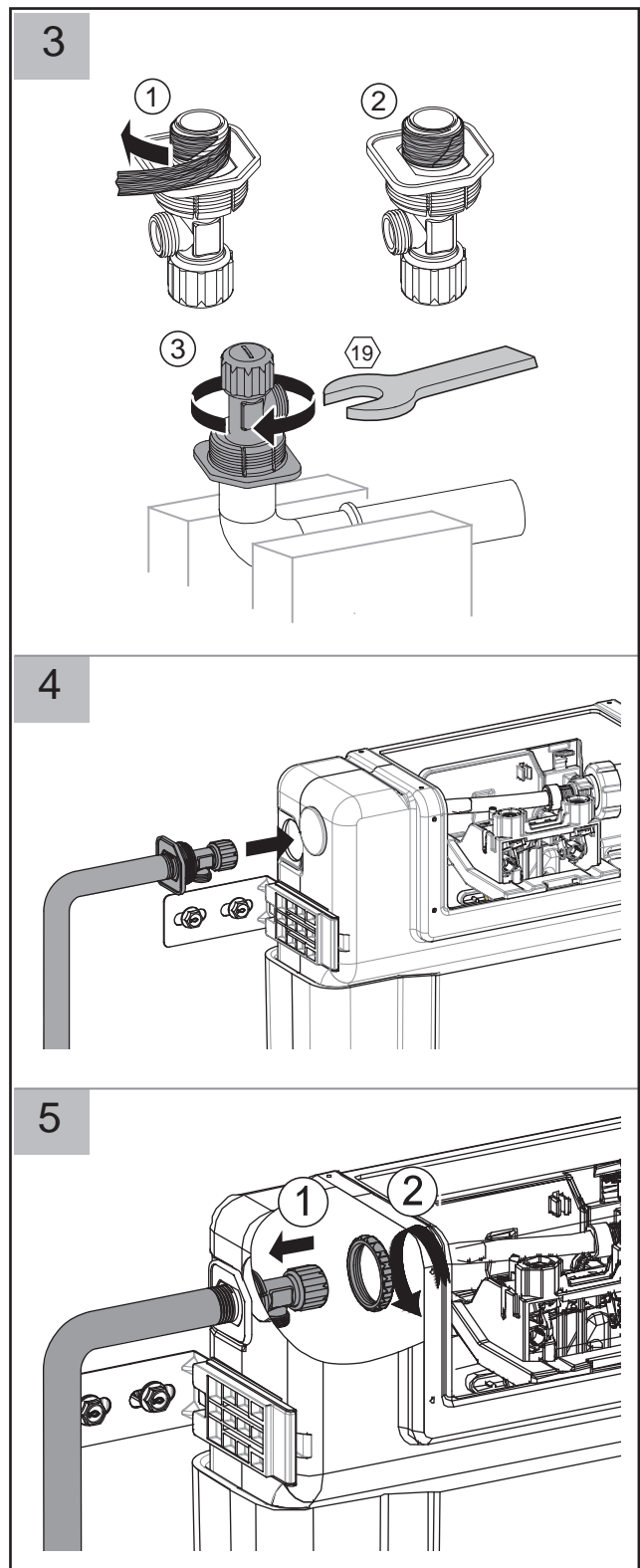
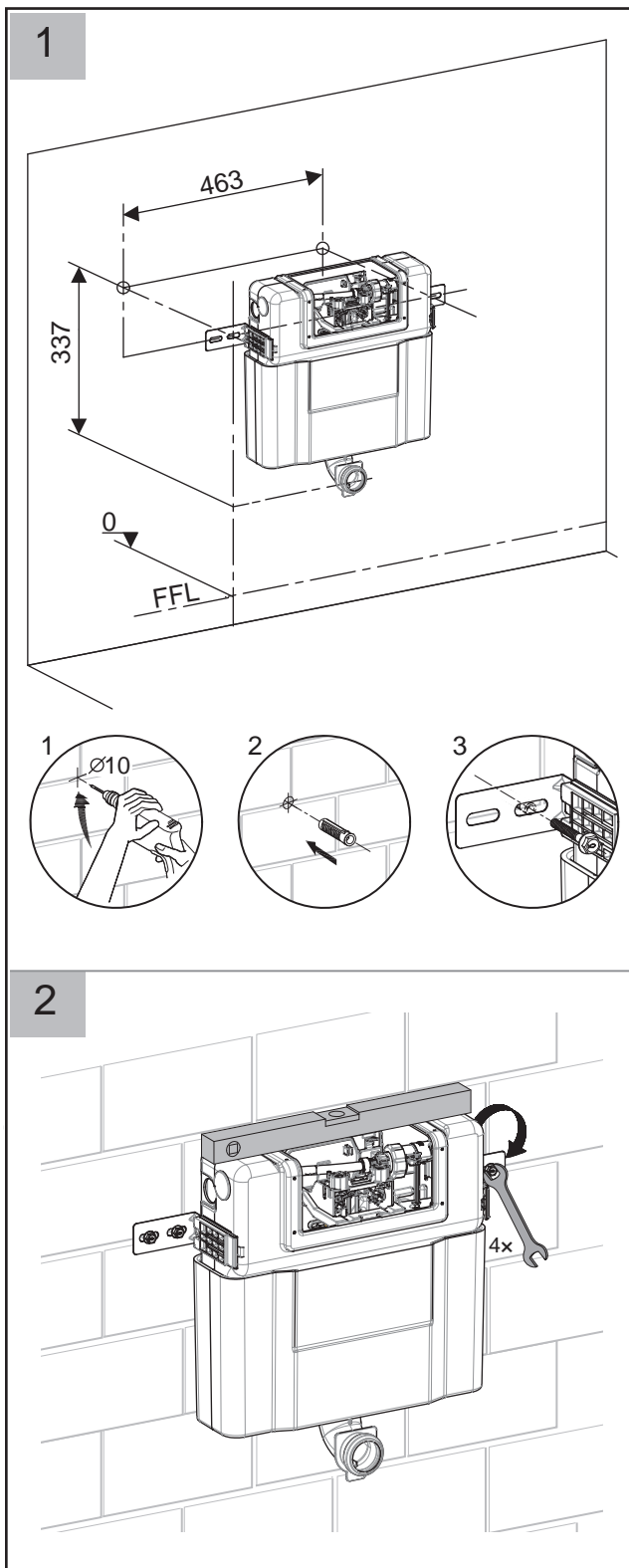
Installation



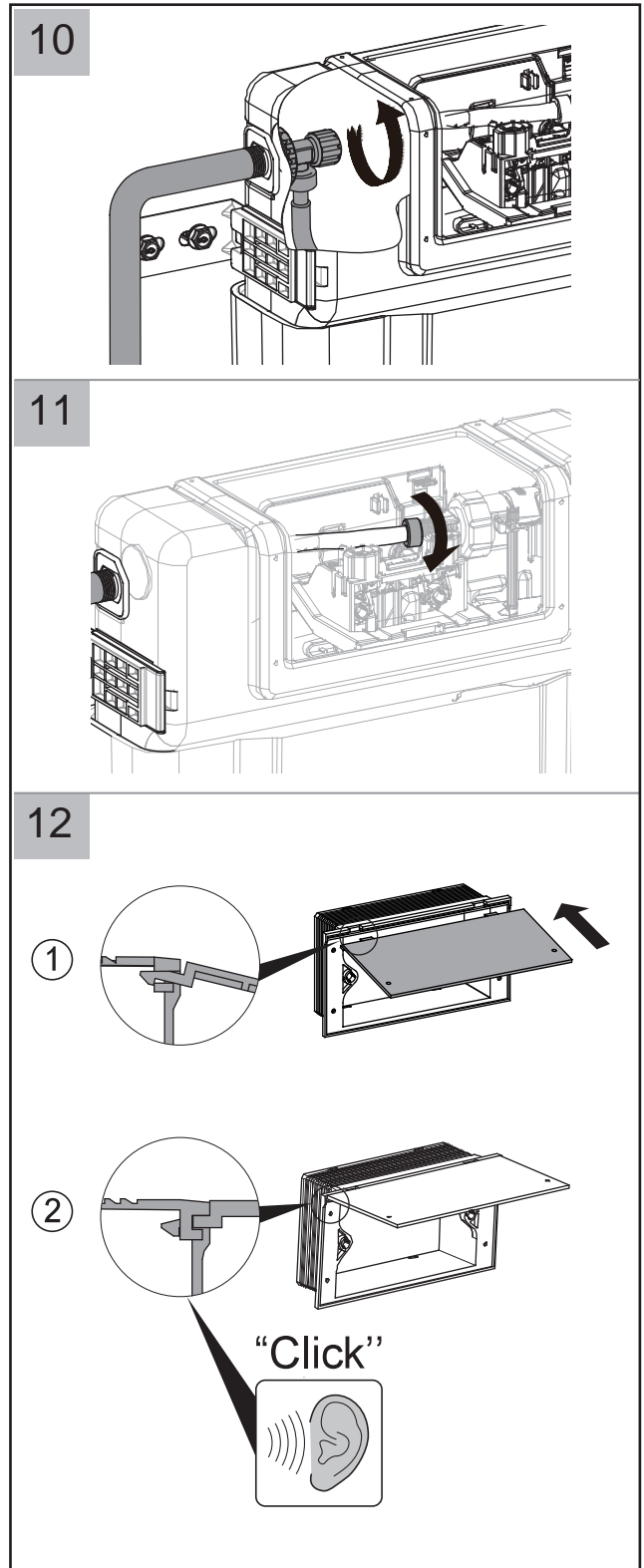
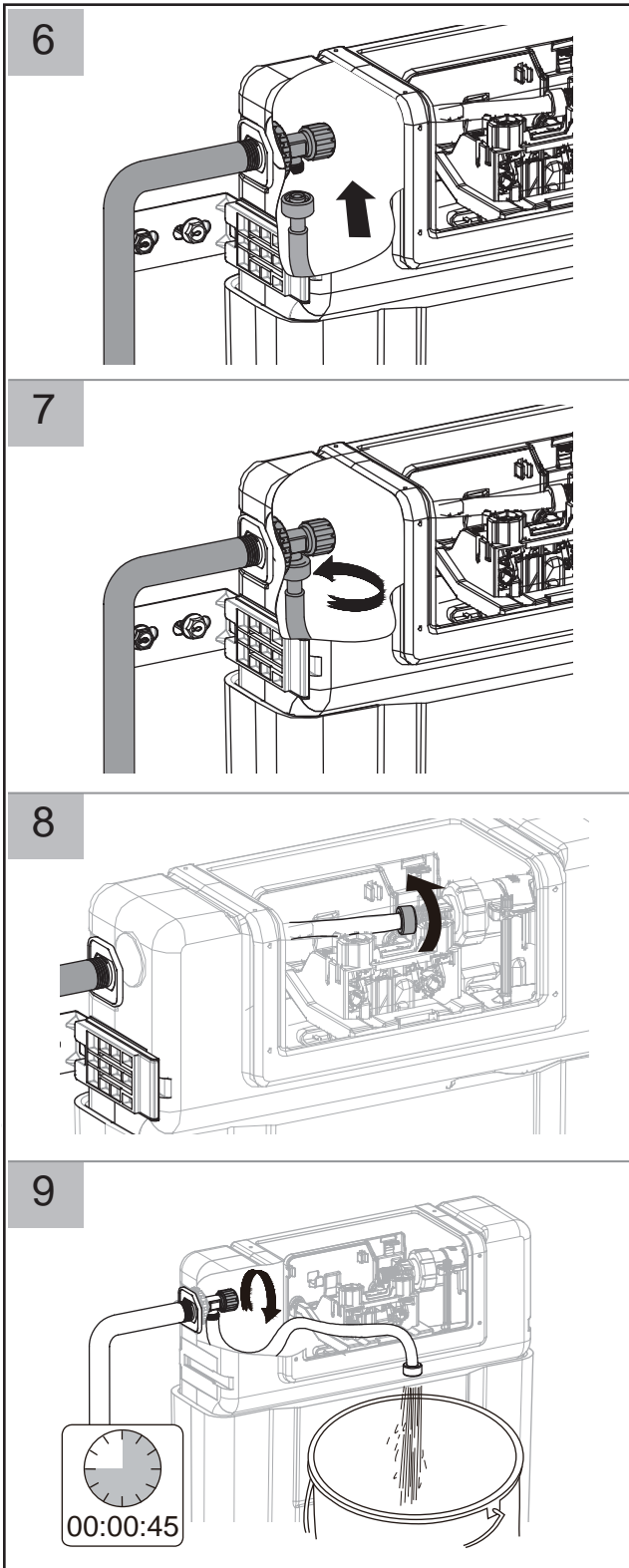
Installation



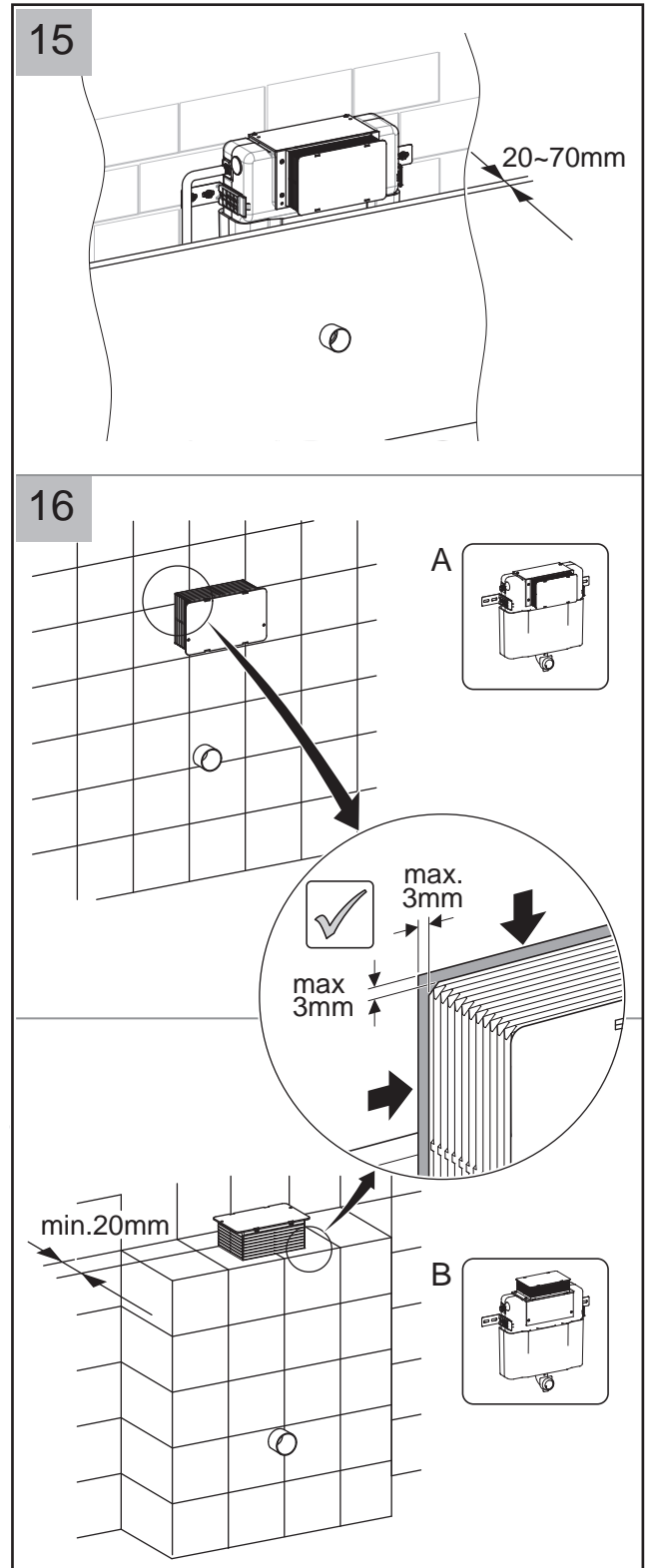
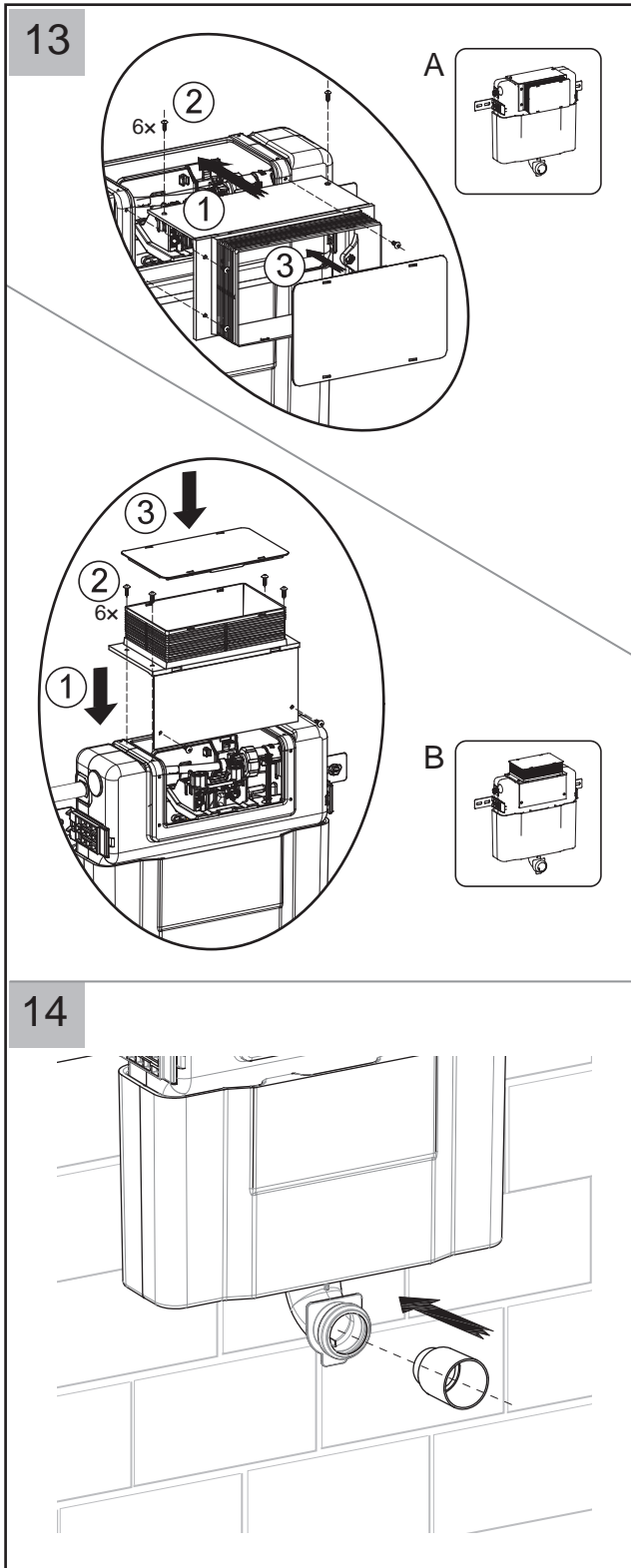
Installation



Installation



Installation





13

EN 14055:2010
K210 Cistern

Essential characteristics	Performance	Harmonised technical specification
Watertightness/ Leaktightness	Pass	EN 14055:2010, Clause 5.2.8
Endurance	Pass	EN 14055:2010, Clause 5.2.9
Noise Level	I	EN 14055:2010, Clause 8
Flushing Volume	Pass (6)	EN 14055:2010, Clause 5.2.1
Durability	Pass	EN 14055:2010, Clause 5.2.11

For any further information please contact your merchant

The manufacturer reserves the right to make technical modifications without prior notice.