



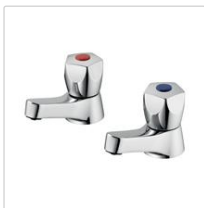
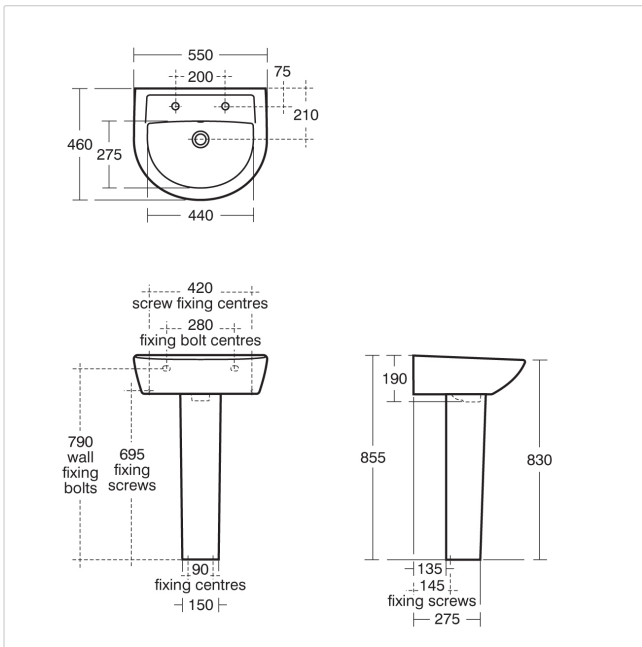
## Sandringham 21 Washbasin 55cm 2 Tapholes

### Illustrated

- E8951** Sandringham 21 washbasin 55cm, 2 tapholes, with overflow and chainstay hole
- E8976** Sandringham 21 pedestal
- B9865** Sandringham 21 Washbasin Pillar Taps
- S8800** Waste, 1 1/4in plastic waste with bead chain and plug, 80mm slotted tail, bolt stay
- S8950** Trap 1 1/4in plastic P for use with cloakroom pedestal

### Configuration options

- B9875** Sandringham 21 washbasin pillar taps, crosshead handles
- B9881** Sandringham 21 washbasin pillar taps, lever handles
- S8722** Waste 1 1/4in brass strainer waste, 80mm slotted tail
- S8733** Waste 1 1/4in brass anti theft swivel plug waste, 80mm slotted tail
- S8735** Waste 1 1/4in brass anti theft waste with chain and captive plug, 80mm slotted tail, bolt stay
- S8810** Waste 1 1/4in plastic strainer, dished pattern 80mm unslotted tail
- A5900** TMV Thermostatic mixing valve 15mm
- S8910** Trap 1 1/4in plastic bottle, 75mm seal
- S8920** Trap 1 1/4in plastic resealing bottle, 75mm seal
- E0157** Wall fixing set



### Material

Vitreous China

### Weights

E8951	15.5KG
E8976	10.2KG
B9865	0.972KG
S8800	0.08KG
S8950	1KG

### Colours

White (01)

### Special Notes

Washbasin wall mounted using E0157 wall fixing set or full pedestal mounted using 2 screws through back of basin (not supplied).

### Frequently used applications

Education	Factory
Hotels	Office
Public Building	Pubs and Clubs
Residential	Retail
Social Housing	Sports and Leisure
Student Accommodation	