



Concept Bidet Wall Mounted 1 Taphole

Illustrated

- E7996** Concept bidet wall mounted 1 taphole
- E0060** Support frame with bolts for wall hung WC pans
- B9988** Concept Blue bidet mixer 1 hole with pop-up waste
- S8965** Trap 1 1/4in plastic P, 75mm seal, multi-purpose outlet suitable for plastic and BS copper pipe

Configuration options

- B8064** Active single lever one hole bidet mixer with pop-up waste.

Material

Vitreous China

Weights

- E7996 17.12KG
- E0060 4.2KG
- B9988 1.535KG
- S8965 1KG

Standards

Vitreous china to BS 3402. Bidet to BS EN 36

Special Notes

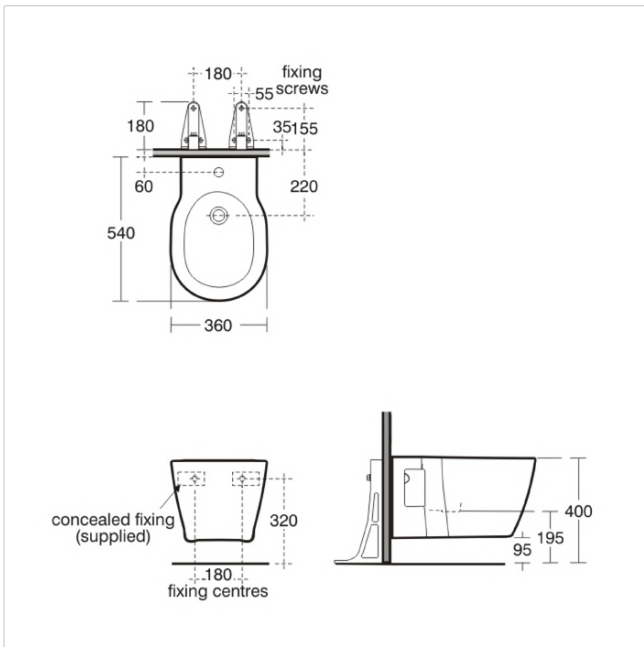
E0060 support brackets secured to floor within the duct, bidet fixed to support brackets with bolts supplied and bolts screwed to back wall with brackets. Joints sealed with waterproof sealant (not supplied).

Colours

White (01)

Designer

Robin Levien, RDI



Frequently used applications

- Education
- Hotels
- Residential
- Sports and Leisure
- General Healthcare
- Office
- Retail



Tel: 0870 122 8822
Fax: 0870 122 8282
Email: info@idealspec.co.uk
Web: www.idealspec.co.uk

