



Concept Bidet Freestanding 1 Taphole

Illustrated

- E7994** Concept bidet floor standing 1 taphole
- B9988** Concept Blue bidet mixer 1 hole with pop-up waste
- S8965** Trap 1 1/4in plastic P, 75mm seal, multi-purpose outlet suitable for plastic and BS copper pipe

Configuration options

- B8064** Active single lever one hole bidet mixer with pop-up waste.
- A5900** TMV Thermostatic mixing valve 15mm

Material

Vitreous China

Standards

Vitreous china to BS 3402. Bidet to BS EN 35

Weights

- E7994 20.24KG
- B9988 1.535KG
- S8965 1KG

Special Notes

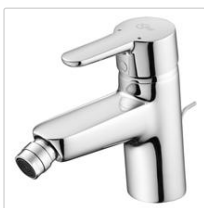
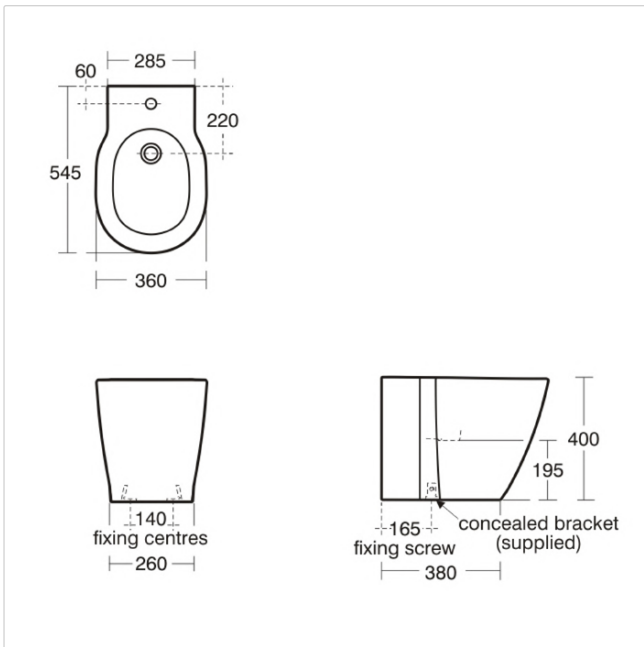
Bidet screwed to floor using concealed brackets (supplied). Joint to wall sealed with waterproof sealant (not supplied)

Colours

White (01)

Designer

Robin Levien, RDI



Frequently used applications

- Education
- Hotels
- Pubs and Clubs
- Retail
- General Healthcare
- Office
- Residential
- Sports and Leisure



Tel: 0870 122 8822
Fax: 0870 122 8282
Email: info@idealspec.co.uk
Web: www.idealspec.co.uk

