



Concept Arc 45cm Corner Washbasin, 1 Taphole

Illustrated

- E7928** Concept Arc 45cm corner washbasin, 1 taphole with overflow
- E7838** Concept handrinse pedestal
- B9915** Concept Blue washbasin mixer 1 hole with pop-up waste
- S8910** Trap 1 1/4in plastic bottle, 75mm seal

Configuration options

- A5648** CeraMix Blue single lever one hole basin mixer with pop-up waste
- E0157** Wall fixing set
- E5010** Pair Steel Wall Hangers

Material

Fine Fireclay

Standards

Washbasin to BS EN 14688 & BS EN 31

Weights

- E7928 9.9KG
- E7838 8.402KG
- B9915 1.675KG
- S8910 0.2KG

Special Notes

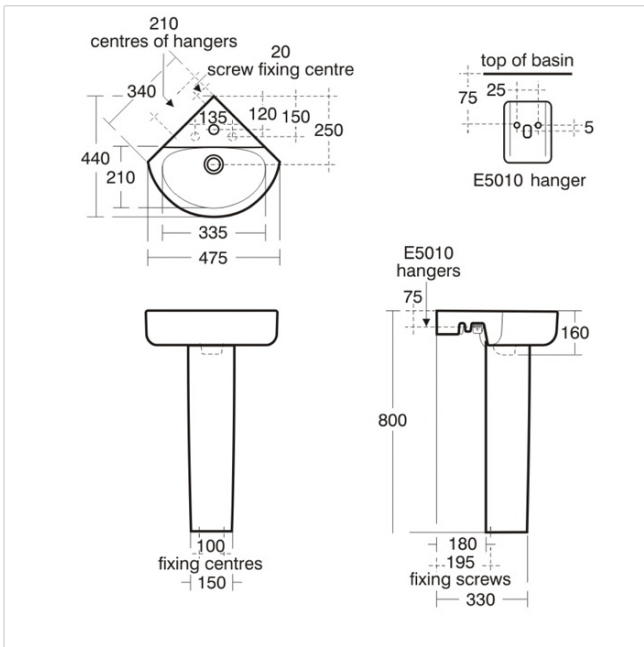
Washbasin wall mounted using E5010 wall hangers or E0157 wall fixing set or full pedestal mounted using 2 screws through back of basin (not supplied)

Colours

White (01)

Designer

Robin Levien, RDI



Frequently used applications

- | | |
|----------------|--------------------|
| Education | General Healthcare |
| Hotels | Office |
| Pubs and Clubs | Residential |
| Retail | Sports and Leisure |



Tel: 0870 122 8822
 Fax: 0870 122 8282
 Email: info@idealspec.co.uk
 Web: www.idealspec.co.uk

