



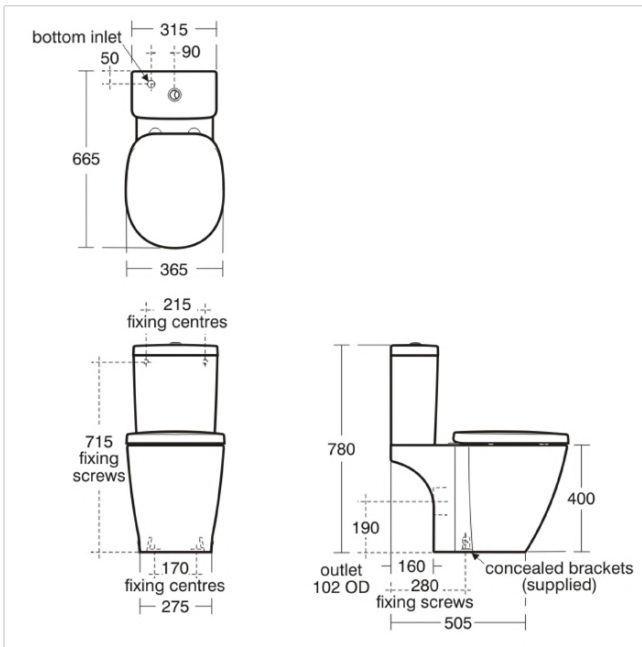
## Concept Close Coupled WC Pan Cube

### Illustrated

- E7871** Concept close coupled WC pan with horizontal outlet
- E7969** Concept Cube close coupled delay fill, valve cistern 4/2.6 Litre dual flush push button bottom supply and internal overflow
- E7917** Concept, seat and cover, slow close

### Configuration options

- E7859** Concept Cube close coupled cistern 6/4 Litres dual flush push button valve bottom supply and internal overflow
- E7918** Concept, seat and cover
- E3222** Panekta outlet Connector, finned pattern to convert horizontal outlet WCs to P trap
- E3221** Panekta outlet connector, finned pattern to convert horizontal outlet WCs to S or turned P trap



### Material

Vitreous China

### Weights

- E7871 24KG
- E7969 10KG
- E7917 2.3KG

### Colours

White (01)

### Standards

Vitreous china to BS 3402, BS EN 997 & BS EN 33

### Special Notes

WC screwed to floor and cistern screwed to wall

### Designer

Robin Levien, RDI

### Frequently used applications

- |                |                    |
|----------------|--------------------|
| Education      | General Healthcare |
| Hotels         | Office             |
| Pubs and Clubs | Residential        |
| Retail         | Sports and Leisure |

### Features

Water Saving

### Accreditations

WEPLS  
WTL



Tel: 0870 122 8822  
Fax: 0870 122 8282  
Email: [info@idealspec.co.uk](mailto:info@idealspec.co.uk)  
Web: [www.idealspec.co.uk](http://www.idealspec.co.uk)

