



Concept Sphere 38cm Countertop Washbasin No Tap Deck

Illustrated

- E5023** Concept Sphere 38cm Countertop washbasin, No tap deck with overflow
- B9915** Concept Blue washbasin mixer 1 hole with pop-up waste
- S8910** Trap 1 1/4in plastic bottle, 75mm seal

Configuration options

- A5900** TMV Thermostatic mixing valve 15mm
- E0079** Trap 1 1/4in Contemporary metal bottle

Material

Fine Fireclay

Weights

- E5023 4.050KG
B9915 1.675KG
S8910 0.2KG

Colours

White (01)

Standards

Vitreous china to BS 3402.
Washbasin to BS EN 14688

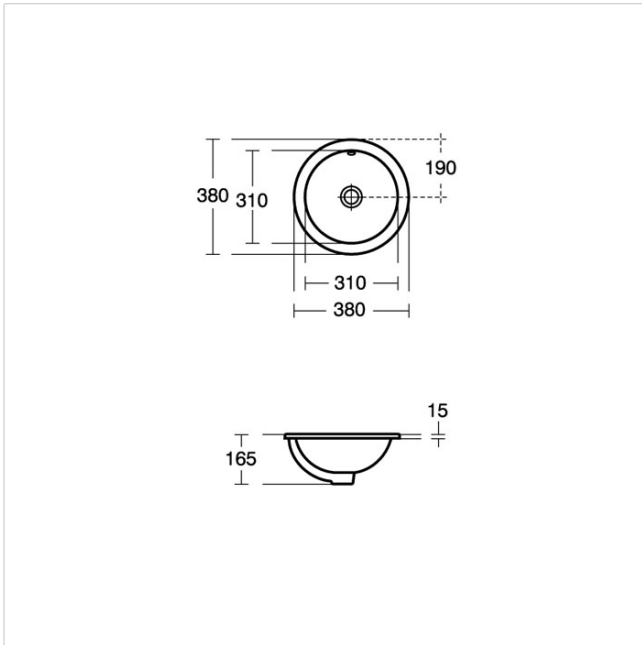
Special Notes

Self-rimming for drop-in installation as per template supplied and joint sealed with waterproof sealant (not supplied)

Consideration should be given to safe hot water delivery and the use of an appropriate temperature reduction device see A5900AA

Designer

Robin Levien, RDI



Frequently used applications

- | | |
|--------------------|-----------------|
| Education | Hotels |
| Office | Public Building |
| Pubs and Clubs | Retail |
| Sports and Leisure | |



Tel: 0870 122 8822
Fax: 0870 122 8282
Email: info@idealspec.co.uk
Web: www.idealspec.co.uk

Ideal Standard (UK) Ltd. makes every effort to ensure that the information provided on its website is accurate. However, we cannot guarantee this, and accept no liability for any information or advice given via its website.



Date created: 25/02/2013