



Concept Oval 48cm Under-countertop Washbasin

Illustrated

- E5018** Concept Oval 48 under-countertop washbasin with overflow
B9915 Concept Blue washbasin mixer 1 hole with pop-up waste
S8910 Trap 1 1/4in plastic bottle, 75mm seal

Configuration options

- A5900** TMV Thermostatic mixing valve 15mm
E0079 Trap 1 1/4in Contemporary metal bottle

Material

Fine Fireclay

Weights

- E5018 5.943KG
 B9915 1.675KG
 S8910 0.2KG

Colours

White (01)

Special Notes

This washbasin is not suitable for separate pillar taps. Washbasin mounted on underside of countertop using S9118 fixing clips. Joint sealed using waterproof sealant (not supplied).

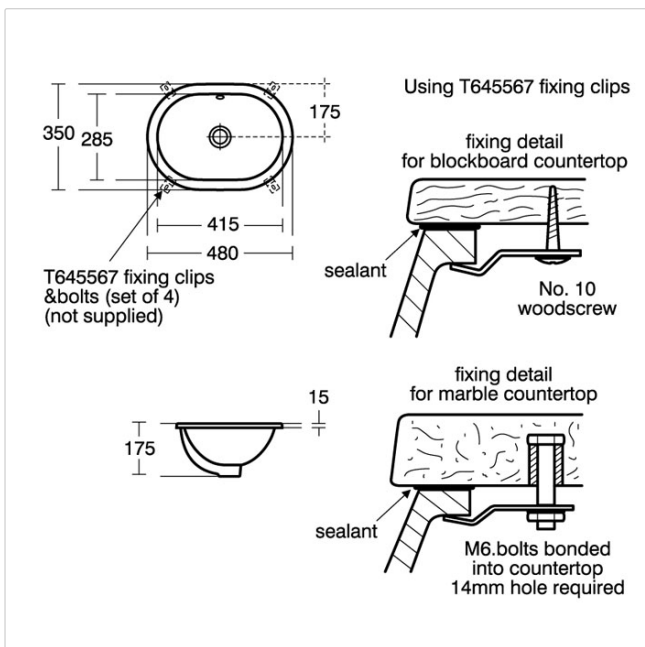
Consideration should be given to safe hot water delivery and the use of an appropriate temperature reduction device see A5900AA

Designer

Robin Levien, RDI

Frequently used applications

- | | |
|--------------------|-----------------|
| Education | Hotels |
| Office | Public Building |
| Pubs and Clubs | Retail |
| Sports and Leisure | |



Tel: 0870 122 8822
 Fax: 0870 122 8282
 Email: info@idealspec.co.uk
 Web: www.idealspec.co.uk

Ideal Standard (UK) Ltd. makes every effort to ensure that the information provided on its website is accurate. However, we cannot guarantee this, and accept no liability for any information or advice given via its website.



Date created:25/02/2013