

PRODUCT DATA SHEET



PRODUCT CODE

PRO135DNT

RANGE

MPRO

DESCRIPTION

MPRO Basin 3H Deck Mounted Set Slate

WEBSITE LINK [Click Here](#)

CATEGORY	Brassware
WARRANTY DETAILS	15 Years
COLOUR	Slate
FINISH APPLICATION	PVD
PRIMARY MATERIAL	Brass
INSTALL TYPE	Deck Mounted
PRODUCT WIDTH MM	252
PRODUCT HEIGHT MM	187
PRODUCT LENGTH MM	170
PRODUCT NET WEIGHT KG	2.8
STANDARDS	BS EN 200:2008, BS EN 817:2008

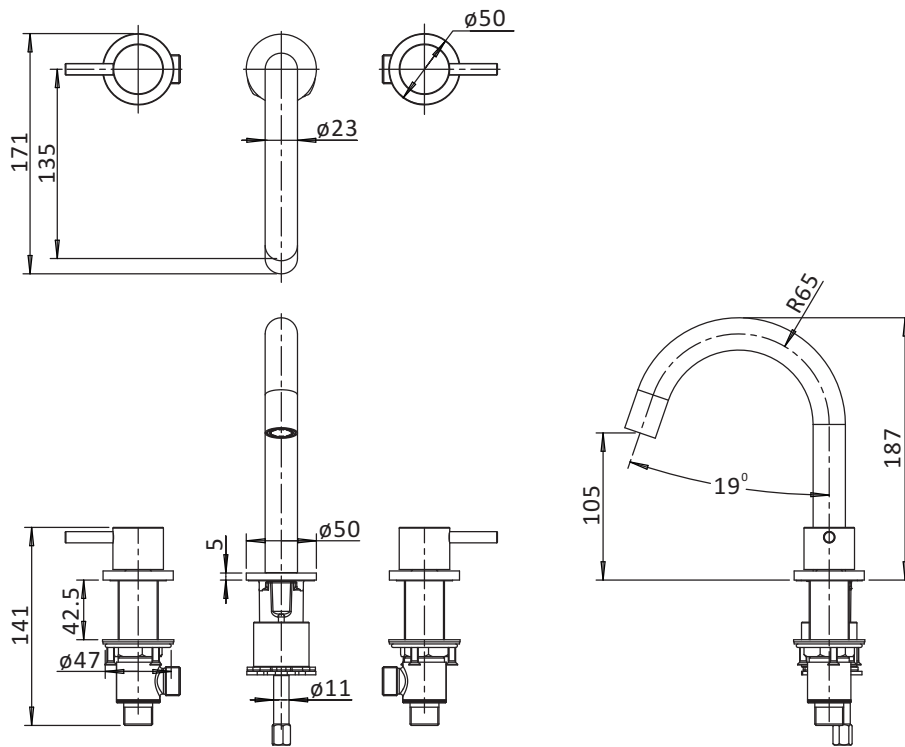
MINIMUM PRESSURE (BAR)	0.5
MAX WORKING PRESSURE (BAR)	6
NUMBER OF OUTLETS	1
NUMBER OF FUNCTIONS	1
HEADWORK	1/2" Quarter turn ceramic cartridge
SPOUT PROJECTION	135
SWIVEL SPOUT	No
INLET CONNECTIONS THREAD	G1/2"
FLOW REGULATOR	Aerator
WASTE INCLUDED	No
ANTI-SCALD	No
ENERGY SAVING	No
SHOWER HOSE & HANDSET ARE INCLUDED	No

PRESSURE (BAR)	0.2	0.5	1	2	3	4	5
PRIMARY FLOWRATE		3.37	4.4	5.29	4.59	4.58	4.51
HANDSET FLOWRATE							
MESSAGE FLOW RATE							
AIR FLOW RATE							
WIRE FLOW RATE							
WATERFALL FLOW RATE							
MIST FLOW RATE							
HANDSPRAY FLOW RATE							

TECHNICAL DIMENSIONS

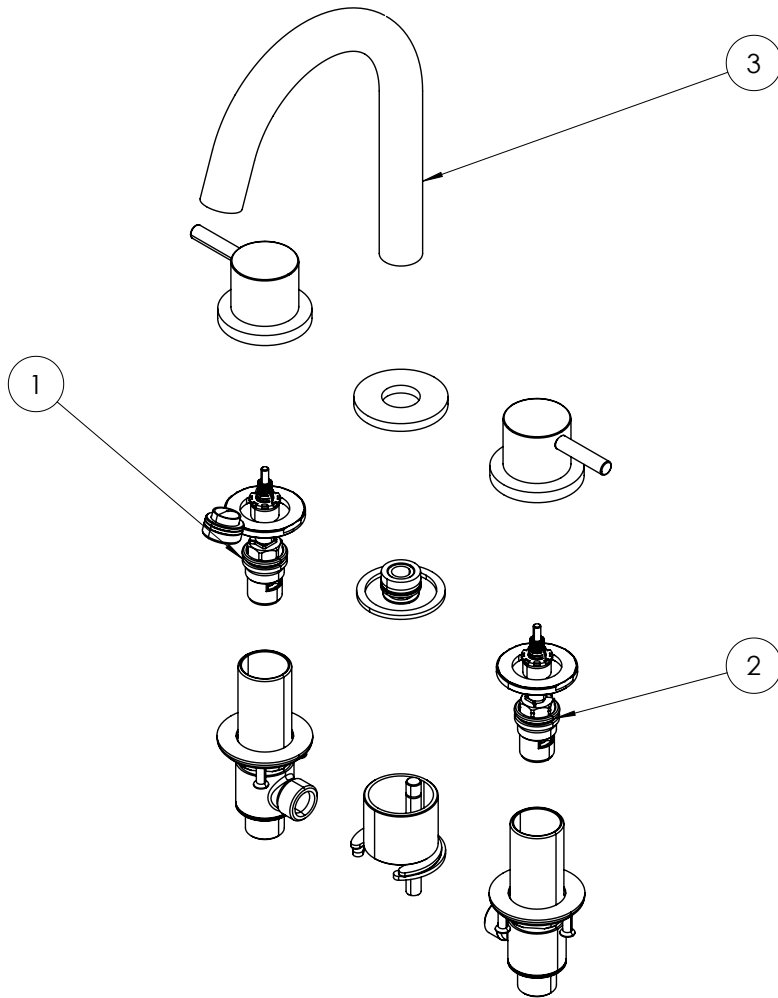
Dimensions in mm unless otherwise specified.

Tolerances (per material type) apply.



SPARES LIST

Only the parts labelled are available as spares.



NUMBER	PART CODE	DESCRIPTION
1	CGPRO116C	Cold Cartridge PRO116/135, RIV6/7/8
2	CGPRO116H	Hot Cartridge PRO116/135, RIV6/7/8
3	M9B935Q3-4BZ	PRO135DNBZ Spout
	M9B935Q3-4T	PRO135DNT Spout