

PRODUCT DATA SHEET



PRODUCT CODE

TL130WNST

RANGE

3ONE6 Lever

DESCRIPTION

3ONE6 Lever Basin 3 Hole Set Wall Mounted Stainless Slate

WEBSITE LINK [Click Here](#)

CATEGORY	Brassware
WARRANTY DETAILS	15 Years
COLOUR	Slate
FINISH APPLICATION	PVD
PRIMARY MATERIAL	316 Stainless Steel
INSTALL TYPE	Wall Mounted
PRODUCT WIDTH MM	370
PRODUCT HEIGHT MM	188
PRODUCT NET WEIGHT KG	1.85
STANDARDS	BS EN 200:2008

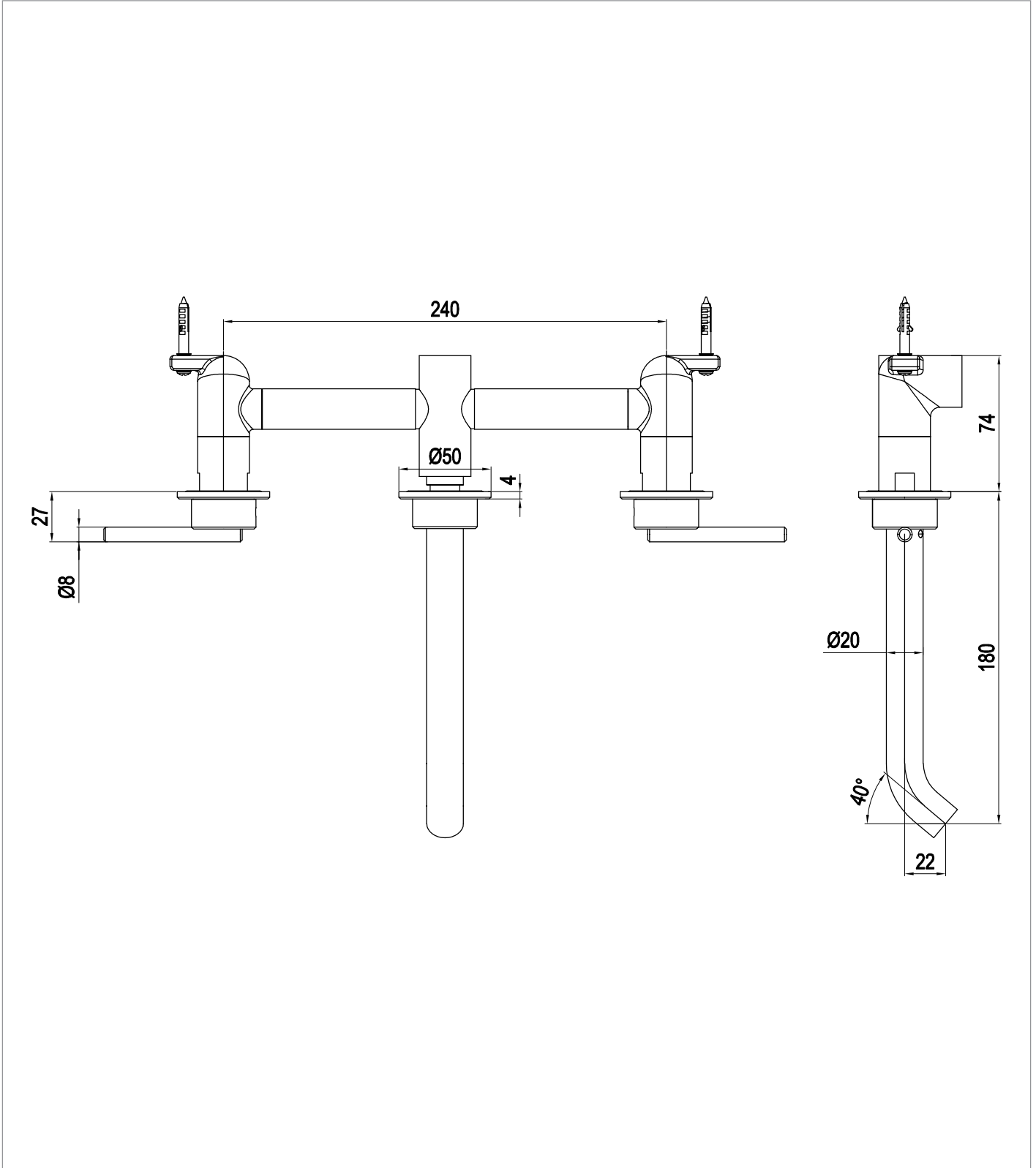
MINIMUM PRESSURE (BAR)	1
MAX WORKING PRESSURE (BAR)	5
NUMBER OF OUTLETS	1
NUMBER OF FUNCTIONS	1
HEADWORK	1/2" Quarter turn ceramic cartridge
SPOUT PROJECTION	180
SWIVEL SPOUT	No
INLET CONNECTIONS THREAD	G1/2"
OUTLET CONNECTIONS THREAD	M18.5x1
FLOW REGULATOR	Cache M18.5x1
WASTE INCLUDED	No
ANTI-SCALD	No
ENERGY SAVING	No
SHOWER HOSE & HANDSET ARE INCLUDED	No

PRESSURE (BAR)	0.2	0.5	1	2	3	4	5
PRIMARY FLOWRATE			3.78	4.88	4.9	4.92	5.2
HANDSET FLOWRATE							
MESSAGE FLOW RATE							
AIR FLOW RATE							
WIRE FLOW RATE							
WATERFALL FLOW RATE							
MIST FLOW RATE							
HANDSPRAY FLOW RATE							

TECHNICAL DIMENSIONS

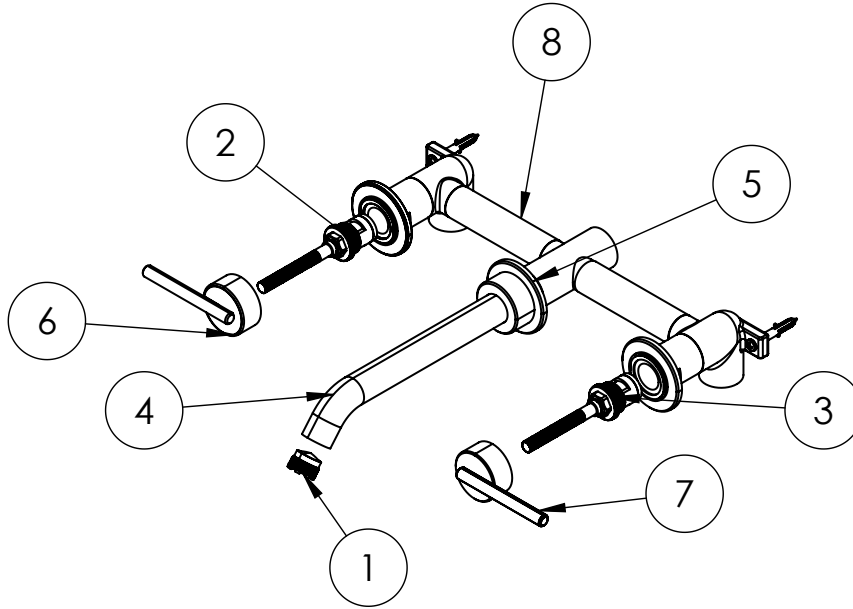
Dimensions in mm unless otherwise specified.

Tolerances (per material type) apply.



SPARES LIST

Only the parts labelled are available as spares.



NUMBER	PART CODE	DESCRIPTION
1	B04004700	TL/120/130/135 TS120/130/135 Aerator
2	A0601A0500	TS130/TL130 Hot Cartridge
3	A0601A0200	TS130/TL130 Cold Cartridge
4	A060181202	TS120_130WNST Spout (180)
	A060181200	TS120_130WNS Spout (180)
	A060181201	TS120_130WNSF Spout (180)
5	A060181302	TS120WNST/TS130WNST/TL120WNST Spout Backplate
	A060181301	TS120WNSF/TS130WNSF/TL120WNSF Spout Backplate
	A060181300	TS120WNS/TS130WNS/TL120WNS Spout Backplate
6	A060110402	TS130_135 Slate Handle Cover Cap
	A060110401	TS130_135 Brushed Brass Handle Cover Cap
	A060110401	TS130_135 Handle Cover Cap
7	A065150302	TL116DNST/TL130WNST/TL135DNST Lever
	A065150301	TL116DNSF/TL130WNSF/TL135DNSF Lever
	A065150300	TL116DNS/TL130WNS/TL135DNS Lever
8	A0601A0402	TS130WNST Control Base Plate
	A0601A0401	TS130WNSF Control Base Plate
	A0601A0400	TS130WNS Control Base Plate