

# PRODUCT DATA SHEET

## Core Chrome Wall Mounted Basin Mixer

Product Code: NU-013 V2



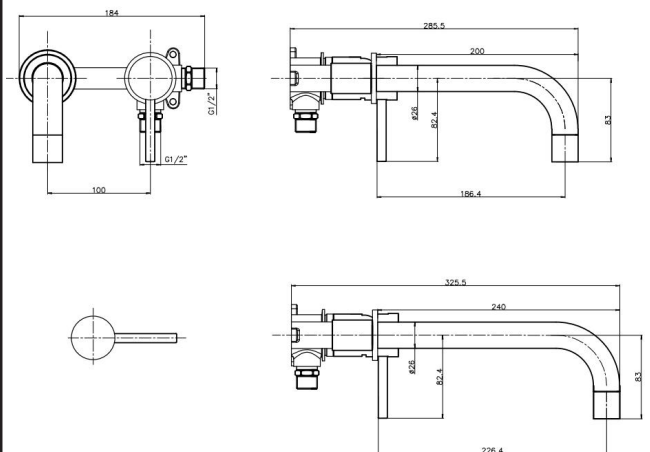
**SCUDO**  
BEAUTIFUL BATHROOMS

0330 124 7290

sales@scudo.co.uk - www.scudo.co.uk

Scudo is the trading name of Harrison Bathrooms Ltd. Whilst we endeavour to ensure that the product information is accurate we accept no liability for any information given. All images are for illustration purposes only. Product images and specification are subject to change. Measurement are in millimetres and are nominal.

Product Measurements	
Product Weight:	1.357kg
Product Width:	100mm
Product Height:	84mm
Product Depth:	182mm
Product Length:	N/A
Product Transportation	
Barcode:	5060964932019
Country of Origin:	China
Comodity Code:	8481809000
Primary Packed Measurements	
Packaged Weight:	2.700kg
Packaged Length:	265mm
Packaged Width:	320mm
Packaged Height:	160mm
Packaging Weight	
Card:	0.800kg
Paper:	0.006kg
Cloth:	0.012kg
Plastic:	0.129kg
General Information	
Construction Material:	Brass
Installation Type:	Wall Mounted
Colour / Finish:	Chrome
Tap/Shower Attributes	
Minimum Pressure:	0.5 bar
Maximum Pressure:	5 bar
Flexible Tails Included:	No
Tap Hole Required:	0
Handle Type:	Lever
Swivel Spout:	No
Inlet Connection:	1/2 BSP
Outlet Connection:	N/A
Tap Hole Diameter:	N/A
Tap Type Description:	Mono Mixer
Includes Waste:	No
Valve / Cartridge Type:	35mm Cartridge
Cartridge Spare Code:	N/A
Flow Rates	
0.2bar (l/min)	3.8
0.5bar (l/min)	6.3
1bar (l/min)	8.3
2bar (l/min)	11.8
3bar (l/min)	14.3
Compliance DOP	
HBDOC040 / HBDOC053	



**Dimensions**  
(measurements in mm)



### LIFETIME GUARANTEE

We are confident in our products and we want our customer to be, we proudly give a lifetime guarantee on our taps and showers, further details can be found on our website