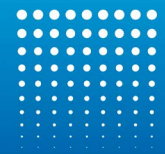
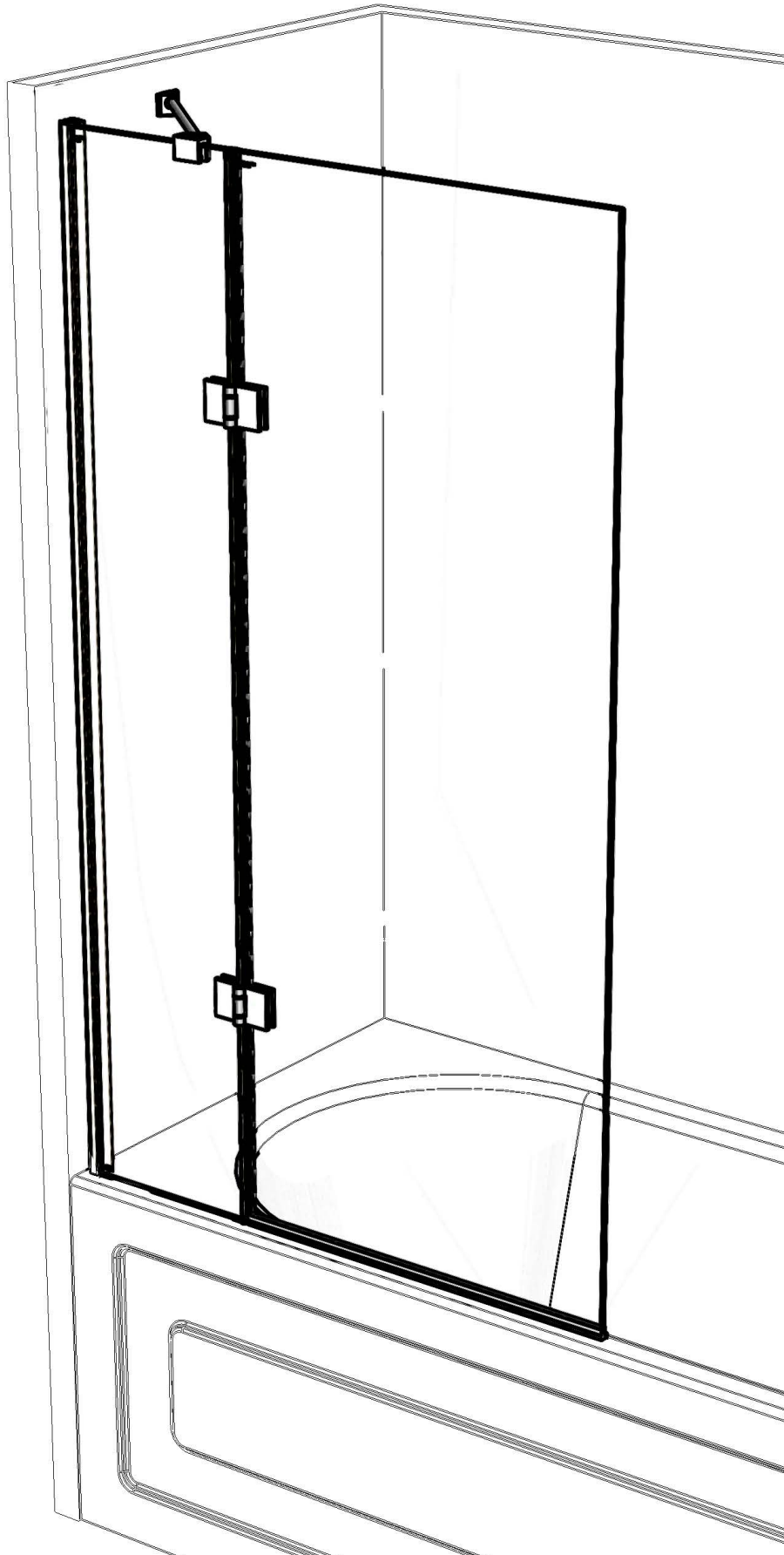


Hinged Bathtub Screen

Models: SS100 & SS105



Lakes
Bathrooms

SUPERIOR AS STANDARD

- Parts
- Installation
- Maintenance

Left Hand Unit Shown

Rev (02.15)

Important Notes :

Please Read Carefully & retain these instructions for Future Reference.

For ease & safety we advise that two persons assemble this product.

Protect bath surfaces at all times.

Check for cables, pipes etc before drilling walls.

Ensure all surfaces are dry, clean & free of loose debris / dust.

Unpack goods with care (small parts can become lodged in packaging & inadvertently discarded). Check parts supplied against parts & fittings listed herein. Damaged parts / omissions may be resolved by calling Helpline.

Whilst precautions are taken in manufacture, care must be taken when handling as rail ends may have sharp edges.

Before commencing, check :

- a) bath type is suitable for screen : without soap dishes, recesses or handles in screen area.
- b) bath rim is level & completely sealed to finished / tiled walls.
- c) finished walls are sound & free of cracks loose tiles / grout.

AFTER INSTALLATION, DO NOT 'WET' ENCLOSURE FOR 48 HOURS TO ENSURE FULL CURE OF SILICONE SEALANT.

General Care & Maintenance.

Provided this product is installed & operated in accordance with these instructions, problems should not arise. However should maintenance be required it should be carried out by a competent person with reference to these instructions. Before any work is carried out the root cause of the problem must be identified. Service engineers are available to consult / carry out remedial work ~ call Helpline.

Cleaning.

(Every one to two weeks depending on local water {hardness} conditions).

All glass panels in this product have a hydrophobic coating aiding 'runoff' of water droplets, reducing the need for frequent cleaning. For best appearance / product life however, regular cleaning is recommended. Use ONLY mild soap / detergent solutions to clean. Rinse with water, squeegee glass panels & wipe frames dry with a soft cloth. Under no circumstances should abrasive, caustic or scouring products be used. Non compliance with these cleaning instructions may cause plated / painted finishes to deteriorate & could adversely affect safe operation of the bath screen.

Daily Care.

To prevent the build up of limescale, do not allow water droplets to dry on glass or frames. After showering, rinse with water, remove droplets from glass with a squeegee & wipe frame with a soft cloth. Customer Service.

Quality Guarantee : Shower Doors & Enclosures are guaranteed against any manufacturing or material defects for a period of 10 years from purchase. Defects will be resolved free of charge by repairing or replacing parts as we feel necessary. To be 'free of charge' service work must be carried out by approved agents. Call Helpline.

Not Covered by this Guarantee : Damage or defects that result from improper installation, improper use, or lack of maintenance (including limescale buildup). Damage or defects that result from repairs or modifications undertaken by unauthorized persons.

This guarantee is in addition to statutory & other legal rights.

What to do if something goes wrong : Should the product not function correctly on initial use, firstly, contact the installer to check that unit installation & commissioning are in accordance with these instructions. Should this not resolve difficulties or should performance decline, consult 'Troubleshooting' section to see if simple home maintenance is needed.

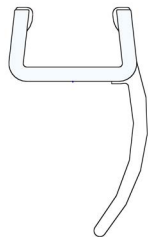
Alternatively our Helpline staff can assist, or if necessary arrange for a service engineer to visit.

Spares : We maintain extensive spare part stocks. Spares can be ordered / purchased from your retailer in the first instance. Parts will normally be dispatched within two working days from order placement. Pro Forma invoices will be sent for cheque payments.

Parts List



1x Vertical Wall Mount
SS100-05
Supplied with panel



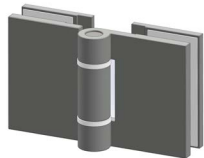
1 x Vertical Seal
0712-1499



3x M3.5x8 Pan head
self tapping screws
F076



4x Wall Plug
F013



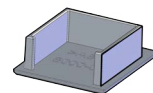
2 xHinge Assembly
SS100-60
(supplied with screen
assembly)



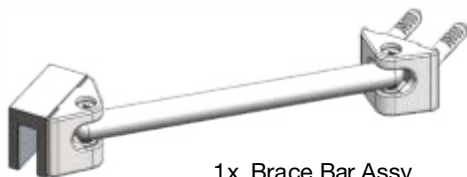
1x Cover Section
SS100-06



4x M4x45 Pan head
self tapping screws
F017



1x Wall Rail Cap
8000-01



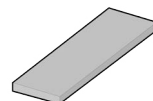
1x Brace Bar Assy
SS100-26



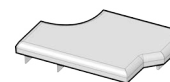
1x Hinge Panel Seal
SS100-13 for SS100
SS100-14 for SS105



1x Glass Support
SS100-18



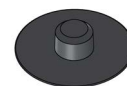
1x Panel Levelling
Gasket
SS100-34



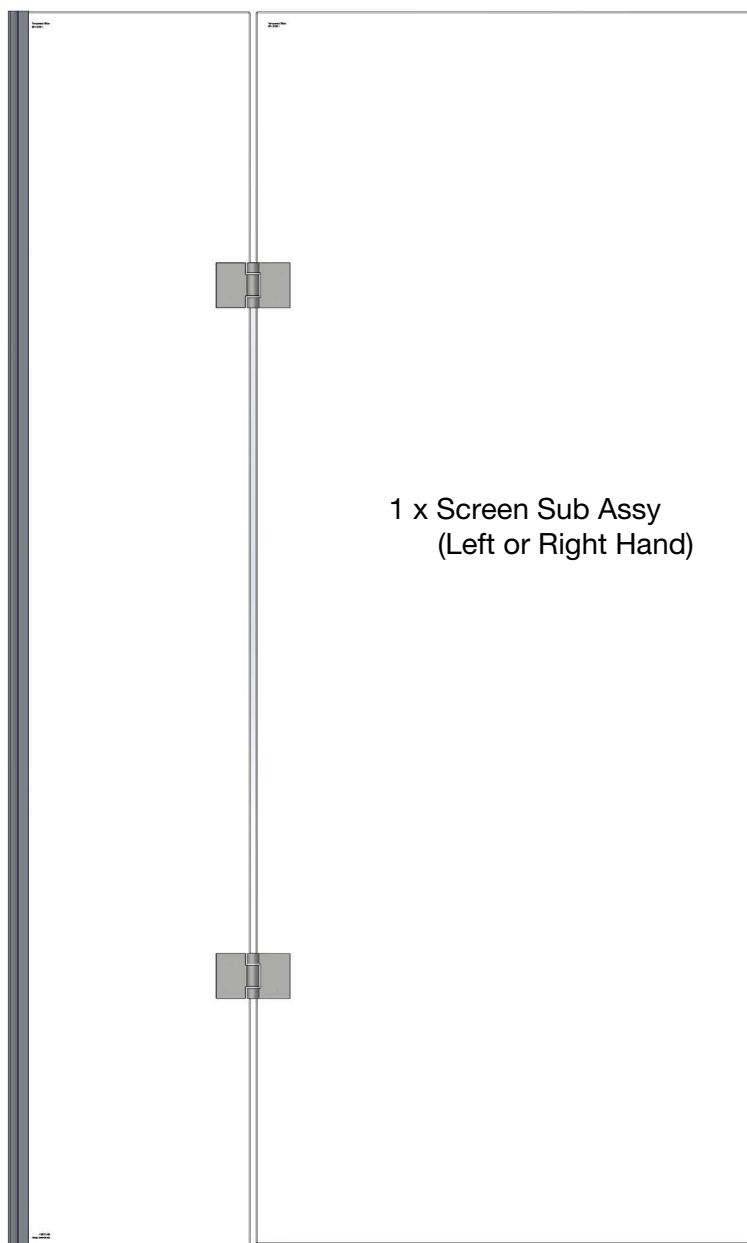
1x each
LH & RH Top Cap
SS100-15 &
SS100-16



1x each Allen Keys
2.5mm & 4mm
F141 & F144



8 xHinge Screw Caps
SS100-51

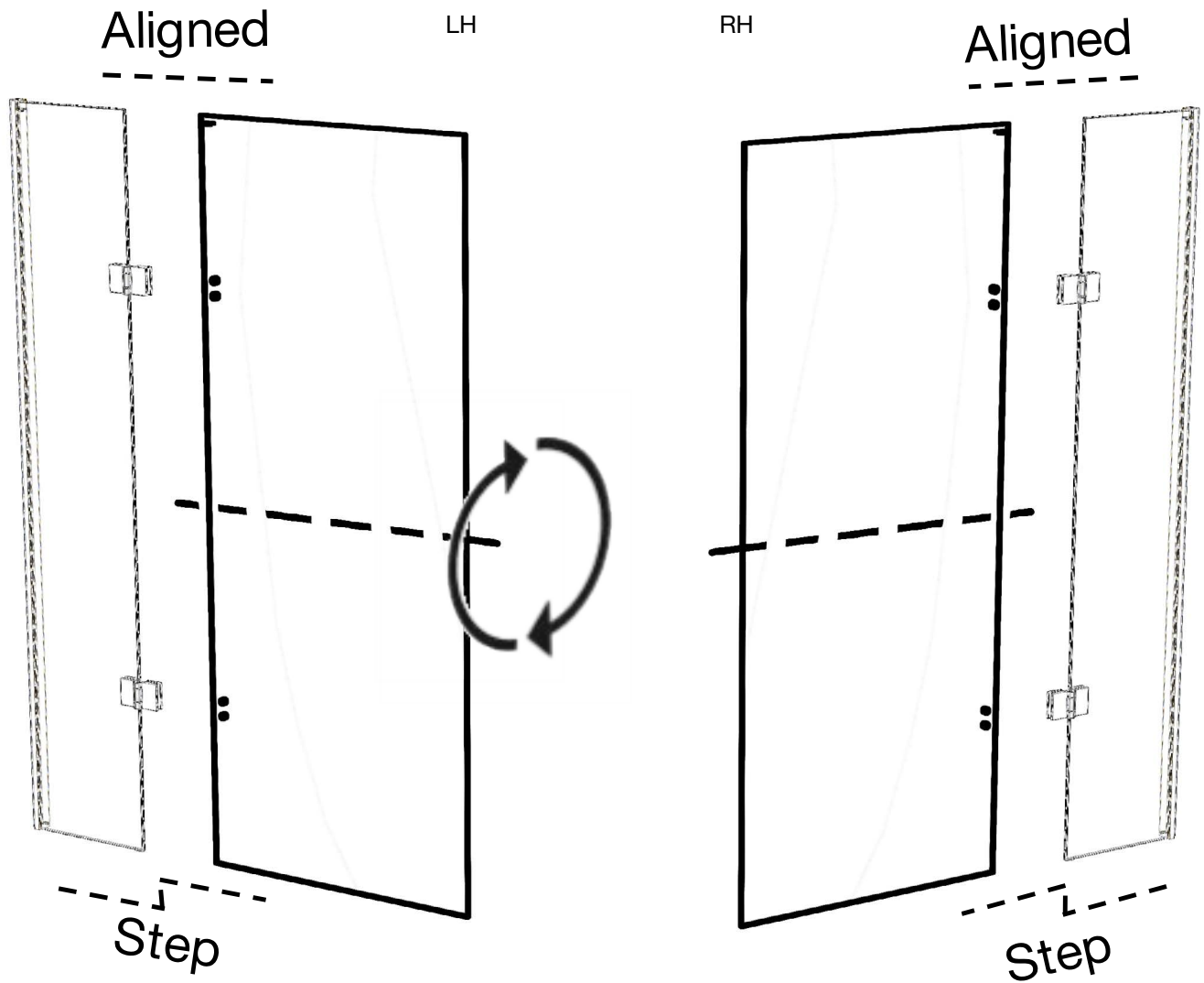


1 x Screen Sub Assy
(Left or Right Hand)

Tools Required:

Pencil	
Pozidrive Screwdriver	
Good Quality Silicone Sealant & Applicator	
Tape Measure	
3mm HSS Drill Bit	
Spirit Level With Vertical Bubble	
Power Drill & 8mm Masonry Bit	

Handing Overview (If required)



Unit is supplied handed (left or right hand).

If reversal is required, place unit on a protective surface front face down. Unscrew and remove door glass hinge clamps (see exploded view fig A).

Remove and flip door glass horizontally as shown, rebuild hinge clamps, fully tighten screws, fit screw cover caps.

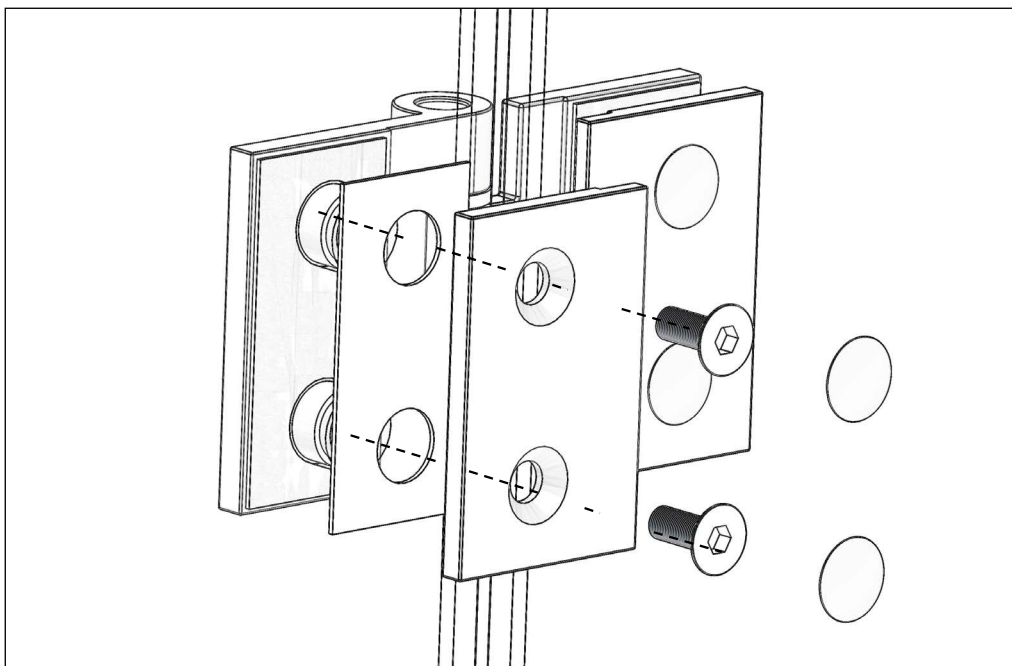


Fig A

Installation

(Left Hand Unit Shown)

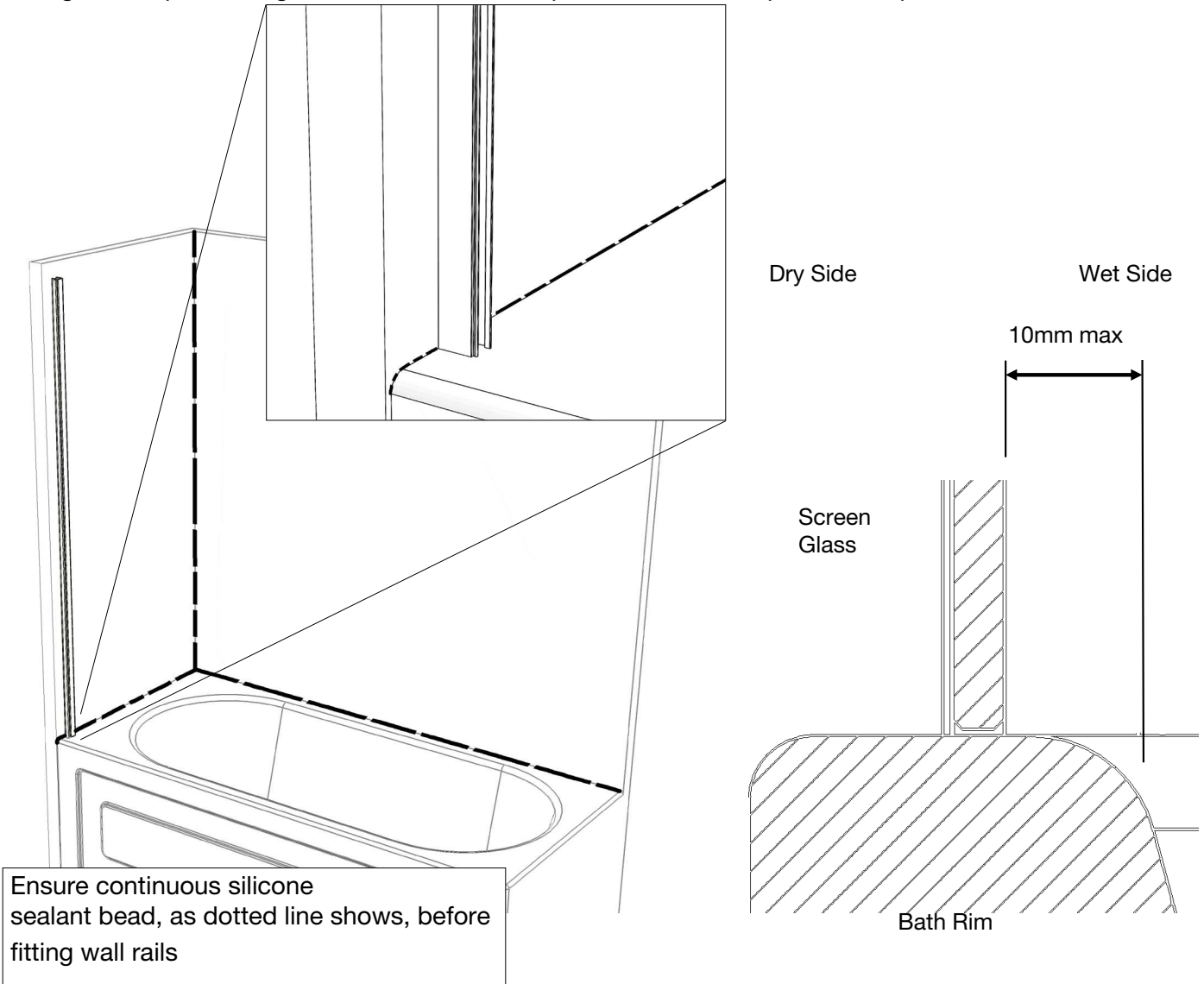
Bath screen is supplied handed, so may be fitted to left or right hand wall, on suitable bathtub. (See page 3 if handing change required)

Ensure bath rim is level & that bath / wall (tile) joints are sealed & cured over entire length of bath sides (See Note) prior to fitting screen.

DO NOT SEAL BATH EDGES UPTO A FITTED SCREEN!

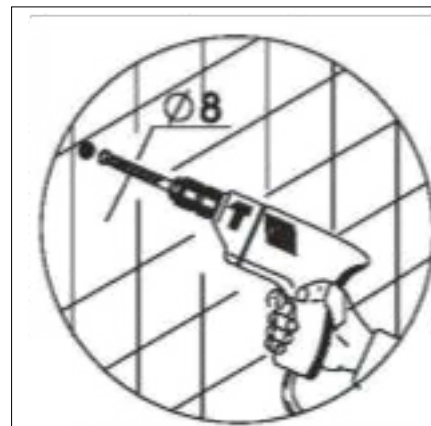
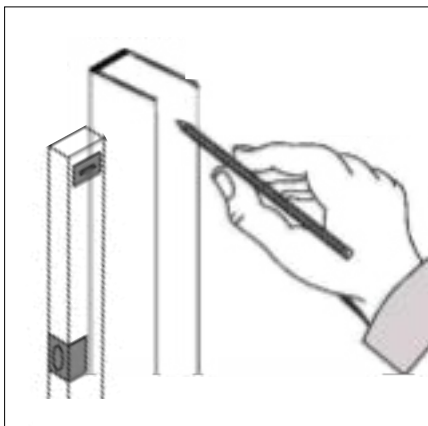
Step 1.

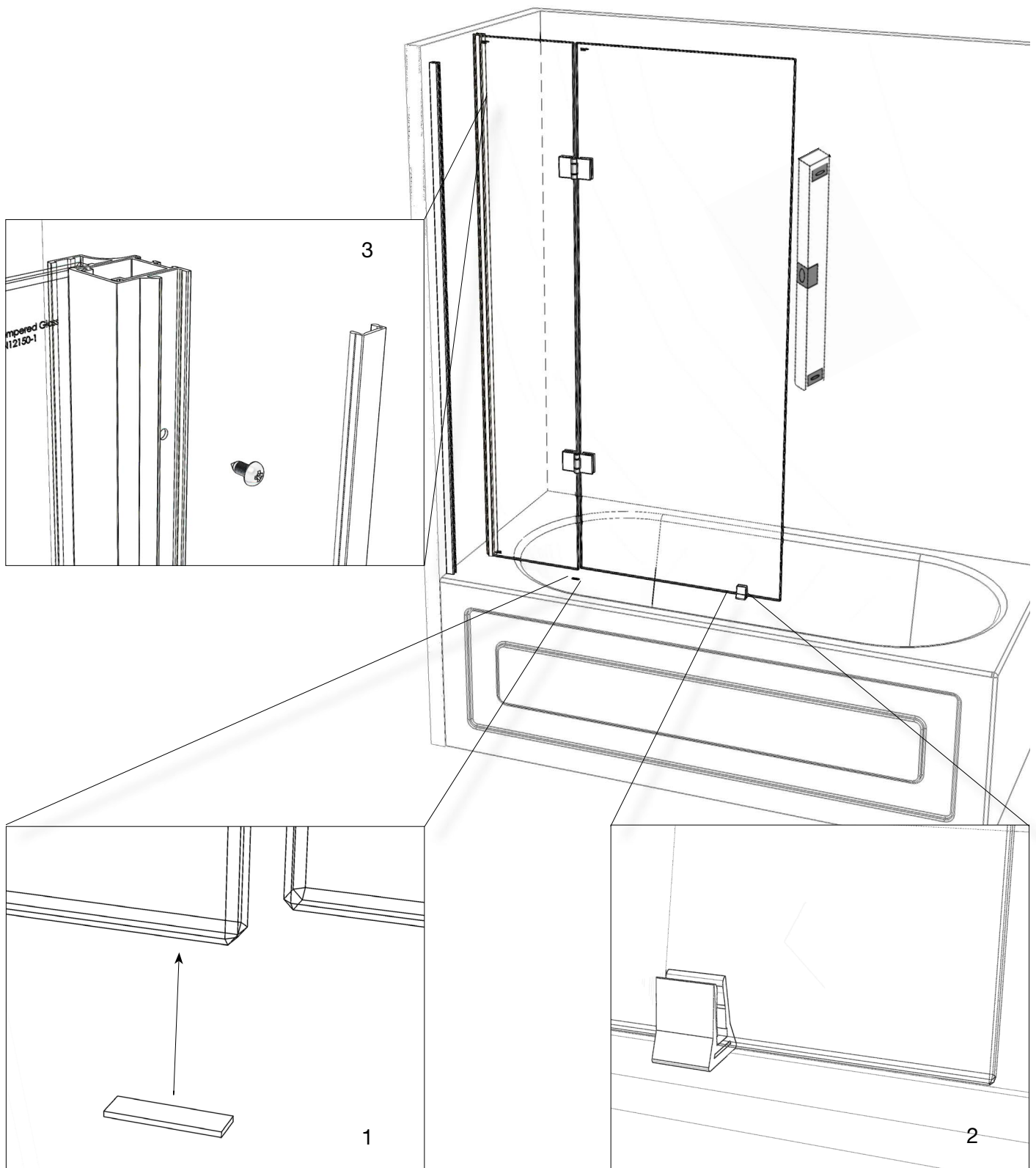
Noting screen positioning on bath rim, measure, plumb & mark wall profile hole positions.



Step 2.

Drill holes with 8mm masonry drill. Plug and affix wall profile.





Step 1.

Before fitting the bathscreen, attach the panel levelling gasket underneath the end of the fixed panel.

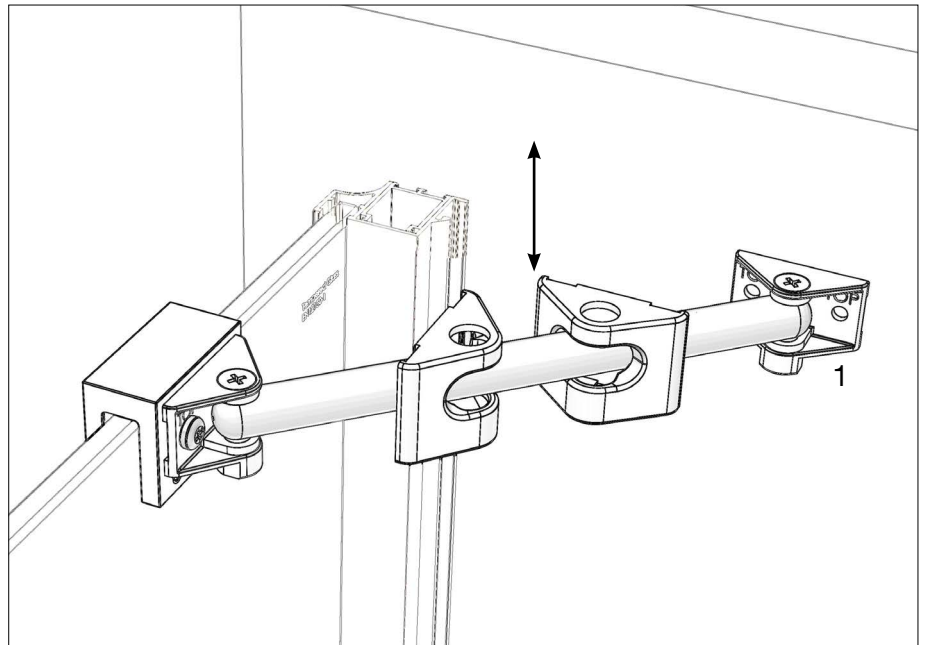
Step 2. Fit glass support under outer end of glass. Carefully lift screen into position, push fully into wall profile & down onto bath rim. Check & adjust screen for plumb and ensure parallel to bath edge.

Step 3. From inside enclosure, using the wall profile holes as a guide, drill $\varnothing 3$ pilot holes, and screw fixed panel to wall profile using 3.5x8 self tapping screws (3 places). Push fit the cover section. Remove glass support.

Bracing Bar Installation

Step 1.

Offer bracing bar onto fixed glass.
Decide preferred position/angle (45° optimal).
Holding securely, mark wall hole positions.
Remove bracing bar, drill and plug walls.

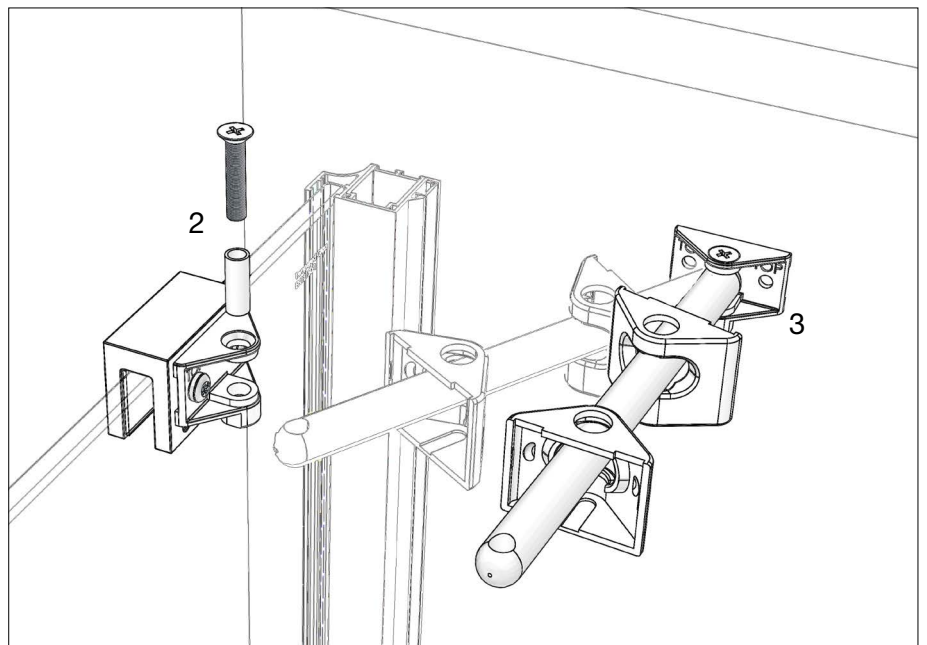


Step 2.

Remove Sleeve and pivot screw.
Separate bar from glass bracket.

Step 3.

Screw Bracket to wall.
Place glass bracket on glass

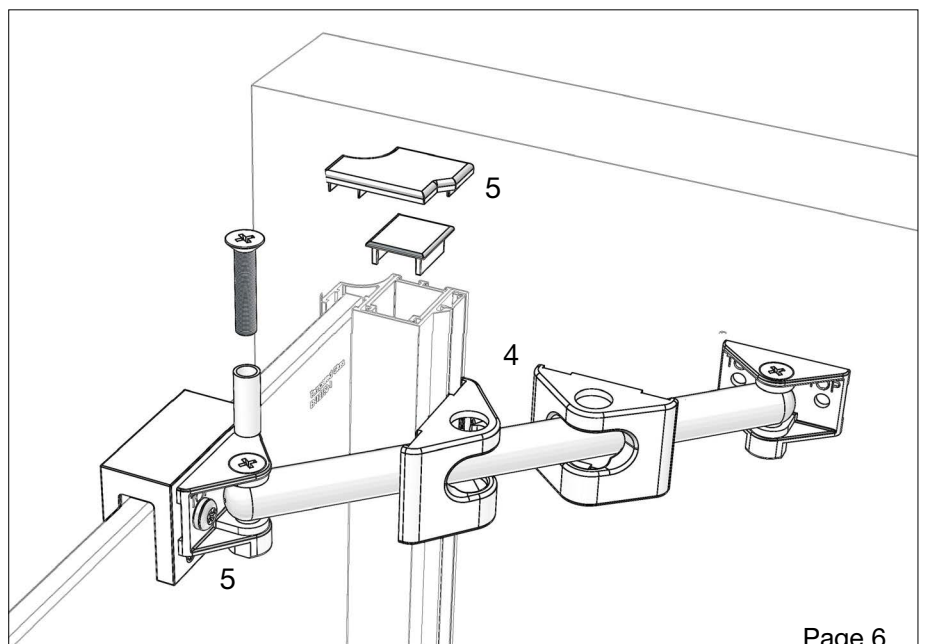


Step 4.

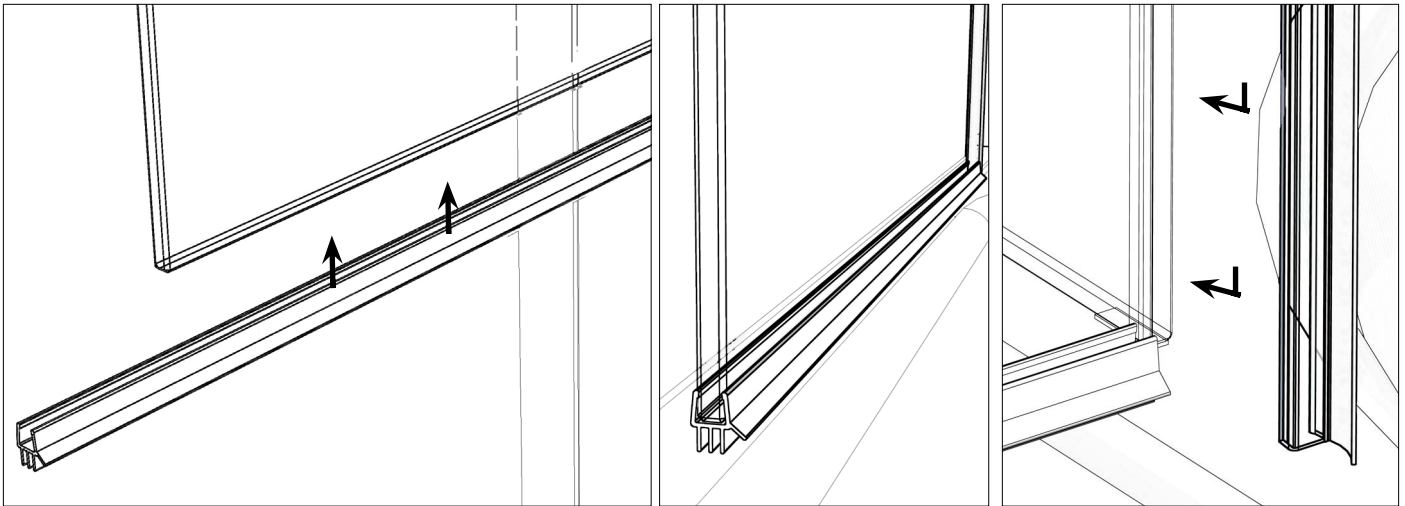
Reconnect bar to glass bracket.
Insert pivot screw and sleeve

Step 5.

Tighten socket screw to clamp bracket to glass. Replace covers.
Fit aluminium caps.



Sealing

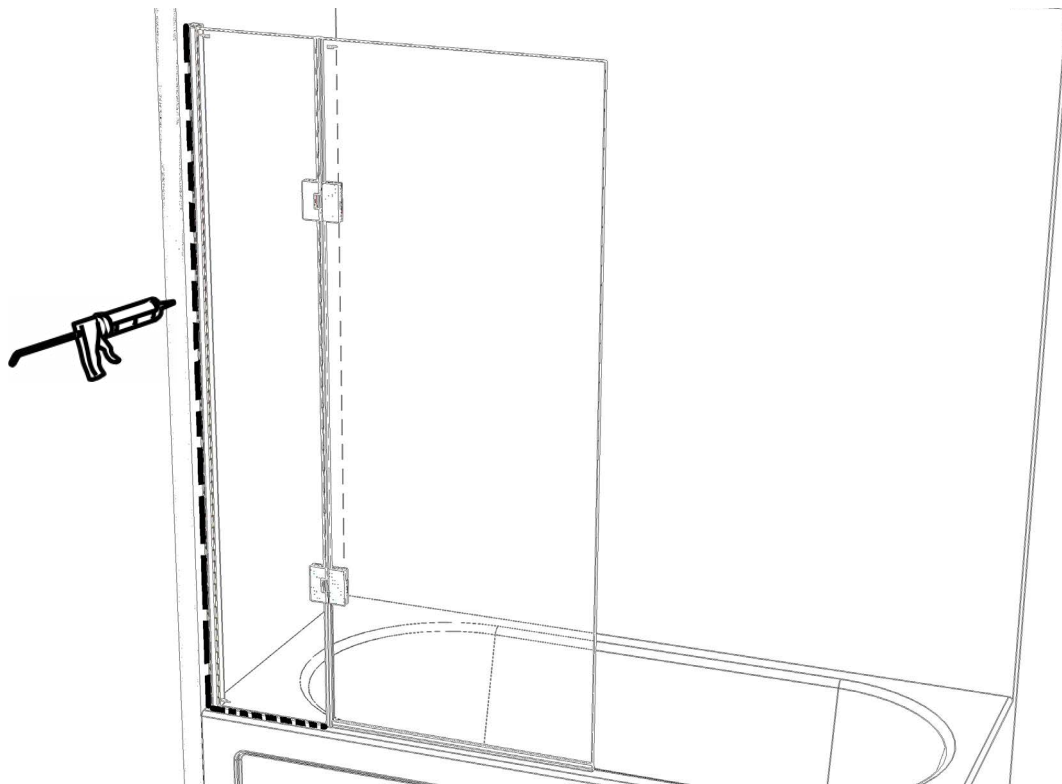
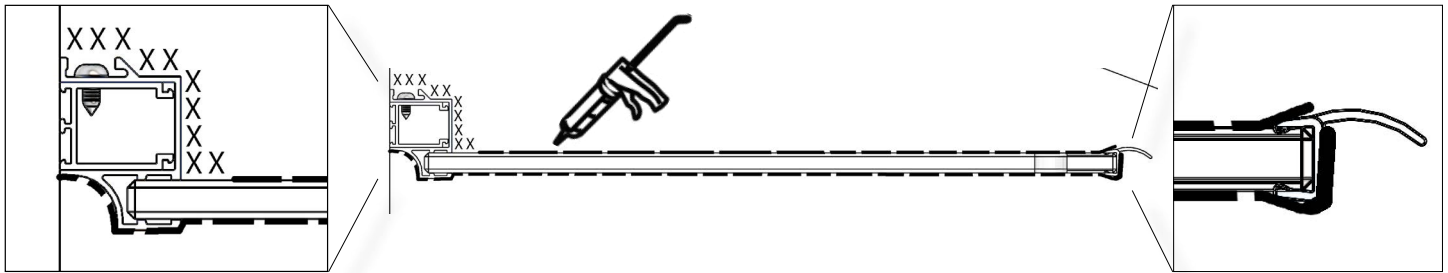


Step 1.

Open door & fit door seal to bottom edge, ensuring drip fin is placed on the wet side. Ensure seal butts up to glass edge on each side.

Fit vertical seal to fixed panel side. Ensure fin is placed to wet side, and pushed fully onto bath rim.

Seals may be 'wetted' to ease assembly.



Step 2. Externally silicone vertical aluminium to wall joint. Then horizontally along, up to and including vertical seal (hard) clip. Internally silicone glass to bath rim horizontally. DO NOT SEAL BASE OF ALUMINIUM TO TRAY INTERNALLY. (Marked xxxxxxx)

Basic Troubleshooting

Screen hinges noisy / not moving smoothly :

Check that hinge seal is not distorted or trapped in gap between glasses.

Leakage:

Ensure vertical seal is pushed fully down onto bath rim.

Water pooling on inside of screen : check 'fall' of bath rim is toward bathing area (certain bathtubs are unsuitable for screens of this type).

Check also, that screen is positioned adjacent to the inner edge of the bath rim.

Leakage :

The sealing method described in these instructions relies on a continuous seal being applied between walls & bathtub before installing the screen (see 'sealing'), it ensures a watertight seal around the perimeter of the bathtub to the walls.

In the unlikely event of a screen leak, water will be visible externally at the bottom of the screen or around the wall / bottom hinge ONLY. Water / moisture appearing outside this area (ie under the bathtub or at floor level) is normally due to incorrect bathtub installation / sealing.

Lakes Bathrooms Ltd
Alexandra Way
Ashchurch
Tewkesbury
Gloucestershire GL20 8NB

Service England, Scotland, Wales
8.30am—5pm Mon ~ Thurs
8.30am—4.30pm Fri
Tel / HELPLINE : 01684 853870
Fax : 01684 857411
www.lakesbathrooms.co.uk
Email : admin@lakesbathrooms.co.uk

Service : Northern Ireland
Ian A Kernohan
Firtrees
Green Way Industrial Estate
Conlig
Northern Ireland
BT23 7SU

8.30am—5pm Mon ~ Thurs
8.30am—4.30pm Fri
Tel : 02891 270233
Fax : 02891 270597
Email : info@iakonline.com