

CRZ2 SHXDIVCTFF C

SAFETOUCH Shower Range Craze2 Adjustable Rigid Riser Diverter Bar Shower



Features:

- Unique Safe Touch technology ensures the bar valve stays cool to the touch while in use.
- Dual control - Flow and temperature are controlled separately giving accurate control of both.
- Factory set to a maximum of 38°C to eliminate the ability to select an unsafe temperature, can be adjusted up to a maximum of 43°C.
- Supplied with WMNT12 C Isolation fast fit connections.
- Supplied with 1.5m hose, height adjustable riser rail, hose retainer and multi function handset with rub clean nozzles.

Product Certifications:



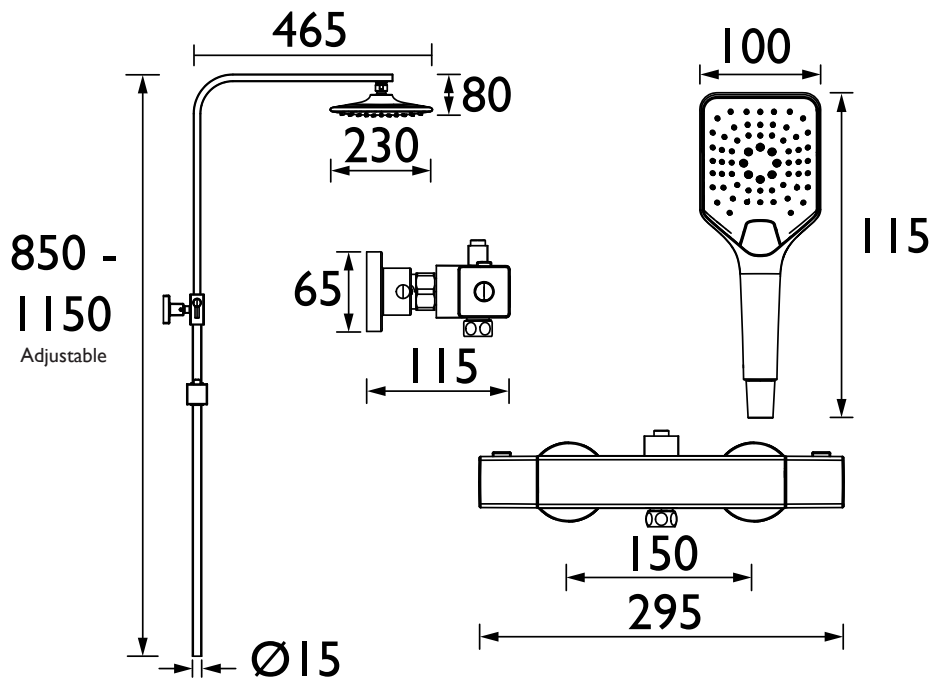
For more products, visit our website:
<http://www.bristan.com>



Specification

| | |
|-------------------------------------|-----------------------------------|
| Product Type: | Mixer Bar Shower |
| Main Construction Material: | Brass |
| Connection Inlet: | 15mm Compression |
| Connection Outlet: | G 1/2" BSP |
| Number of Controls: | 2 |
| Flow Control Valve Type: | Thermostatic Cartridge |
| Plumbing System: | Suitable for all plumbing systems |
| Minimum Dynamic Pressure: (Bar) | 0.5 |
| Maximum Dynamic Pressure: (Bar) | 5.0 |
| Maximum Static Pressure: (Bar) | 10 |
| Maximum Hot Water Temperature: (°C) | 43 |
| Pre-set Outlet Temperature: (°C) | 38 |
| Isolation Included: | No |
| Check Valve Supplied: | Yes |
| Shower Kit: | Adjustable Rigid Riser Shower Kit |

Dimensions (measurements in mm)



Flow Rates (l/min)

| System Pressure (bar) | 0.5 | 1 | 2 | 3 | 5 |
|----------------------------|-----|-----|-----|------|------|
| Through Handset (mixed) | 3.9 | 5.5 | 7.8 | 9.6 | 11.8 |
| Through Fixed Head (mixed) | 4.1 | 5.8 | 8.7 | 10.2 | 12.5 |

TECHNICAL DATA SHEET



BRISTAN

D6