

SPECIFICATION SHEET

COLLECTION: CELSIUS

PRODUCT CODE: CEL-1701-3/4-ORA-CP



DESCRIPTION:

Celsius

- exposed round thermostatic 3/4" shower valve
 - Ora 3 function slide rail shower kit
 - easy-fit wall mounting brackets
- thermostatic cartridge V-704-34S
flow cartridge C-301-RTC

minimum operating pressure 1.0 bar MP

kit comprises:

ORA-MFSRK/RO-CP

CEL-149-3/4-C/P

WG-049BRACK+SHR-C/P

FINISH:

Chrome

MINIMUM OPERATING PRESSURE:

1.0 bar MP



tel: 01934 744466

email: sales@vado.com

www.vado.com

where inspiration flows

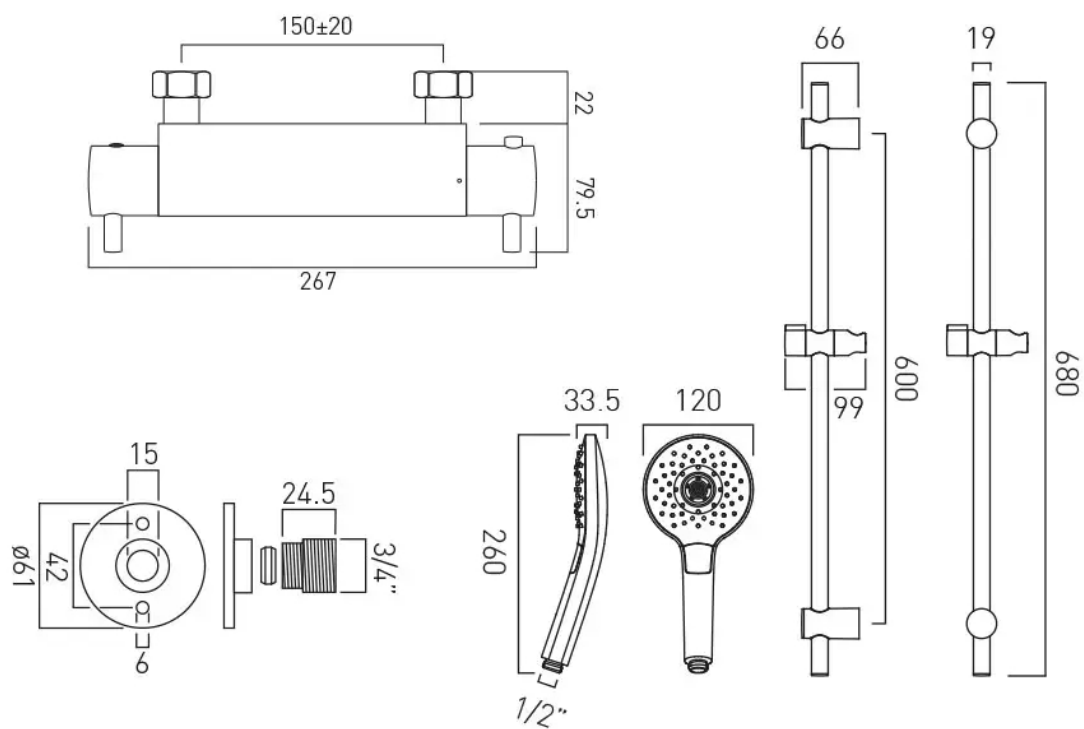
taps | showering | accessories



TECHNICAL DRAWING

COLLECTION: CELSIUS

PRODUCT CODE: CEL-1701-3/4-ORA-CP



tel: 01934 744466
email: sales@vado.com
www.vado.com

where inspiration flows
taps | showering | accessories

