

FRM BF C

FRAMMENTO Tap Range Frammento Bath Filler Chrome

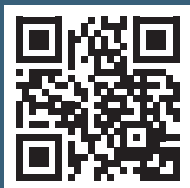


Features:

- Long life 1/4 turn ceramic disc valves for added durability and smooth control.
- Robust metal fixing nut to secure the tap in place reducing the risk of loosening over time.
- A hard-wearing, flawless, scratch resistant chrome finish that lasts for years. Salt spray tested to ensure added durability.
- 10-year parts and 1 year labour guarantee for peace of mind.
- Also available in black, brushed brass and gun metal.
- Co-ordinating Bathroom taps available.

Product Certifications:

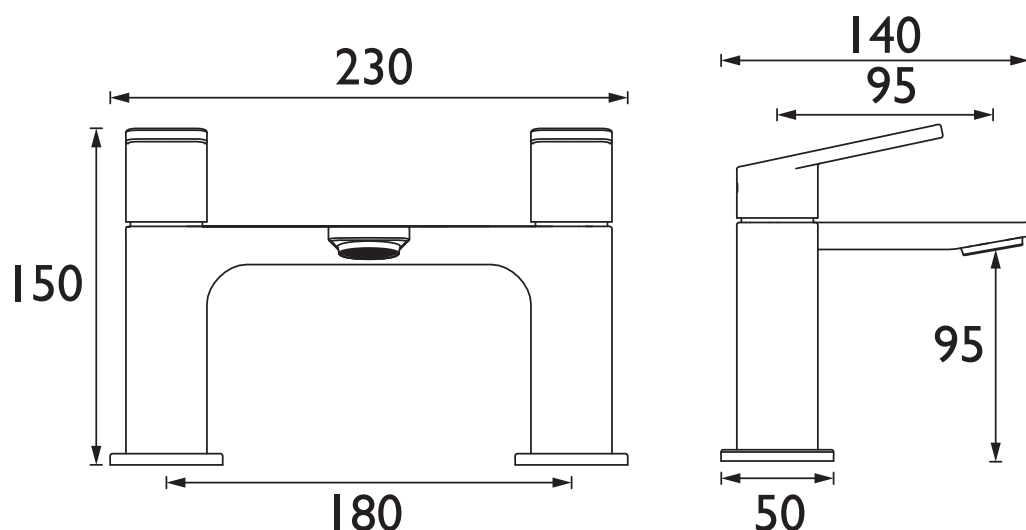
For more products, visit our website:
<http://www.bristan.com>



Specification

Product Type:	Bathroom Taps
Main Construction Material:	Brass
Mount Type:	Deck
Handle Type:	Flat Angled
Connection Inlet:	3/4" BSP
Connection Outlet:	M24 Recessed Honeycomb Aerator
Number of Tap Holes:	2
Valve/Cartridge Type:	3/4" Short Stem Ceramic Disc Valve
Plumbing System Requirements:	Suitable for all plumbing systems
Minimum Dynamic Pressure (bar):	0.2 bar
Maximum Dynamic Pressure (bar):	5 bar
Maximum Hot Water Temperature °C:	60°C
Maximum Static Pressure (bar):	10 bar
Flow Type:	Single
Isolation Included:	No

Dimensions (measurements in mm)



Flow Rates (l/min)

System Pressure (bar)	0.2	0.5	1	2	3	5
FRM BF C (mixed)	13.9	22.4	32.1	44.6	54.6	70.5

TECHNICAL
DATA
SHEET



BRISTAN

D1