

# CRZ SHXDIVCTFF BLK

## CRAZE Shower Range Craze Adjustable Rigid Riser Diverter Bar Shower Black



### Specification

Product Type:	Bar Shower
Main Construction Material:	Zinc Alloy; Stainless Steel; ABS
Connection Inlet:	1/2" Compression
Connection Outlet:	G 1/2" & Riser Outlet
Number of Controls:	2
Flow Control Valve Type:	25mm Cartridge
Plumbing System:	Suitable for high pressure systems
Minimum Dynamic Pressure: (Bar)	1.0
Maximum Dynamic Pressure: (Bar)	5.0
Maximum Static Pressure: (Bar)	10
Maximum Hot Water Temperature: (°C)	80
Pre-set Outlet Temperature: (°C)	38
Isolation Included:	Yes
Check Valve Supplied:	Yes
Shower Kit:	Adjustable Rigid Riser Shower Kit

### Features:

- A black finish that will make a statement in any bathroom
- Supplied with our award winning Wallmount 12 fixing kit with integral isolation, making installing, maintaining and replacing bar showers fast and easy
- Dual control - Flow and temperature are controlled separately giving accurate control of both
- Thermostatic cartridge with preset temperature stop at 38°C to eliminate the ability to select an unsafe temperature and can be adjusted up to a maximum of 43°C
- All in one box - Includes hose, height adjustable riser rail, a rub-clean anti-limescale shower rose and single function handset so nothing to buy separately

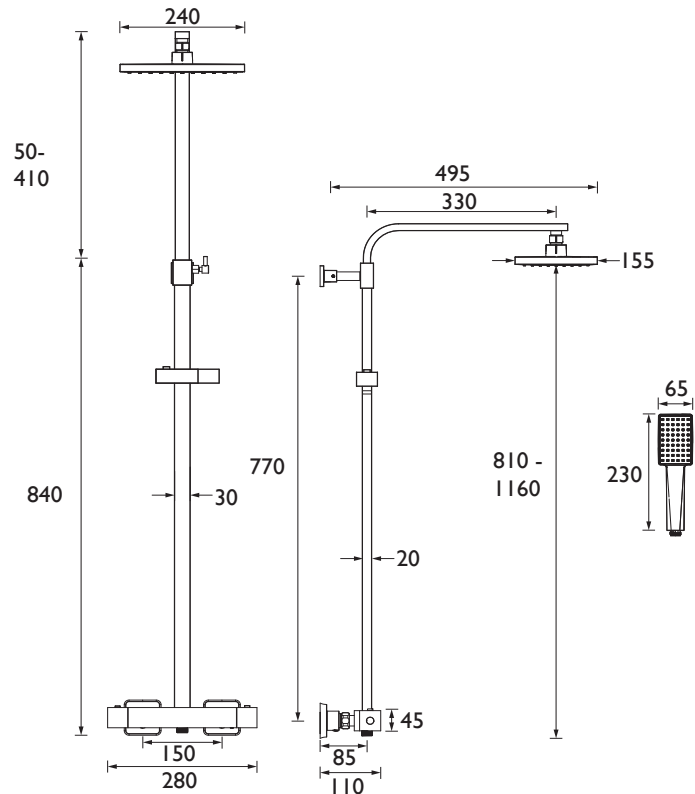
### Product Certifications:



For more products, visit our website:  
<http://www.bristan.com>



### Dimensions (measurements in mm)



### Flow Rates (l/min)

System Pressure (bar)	1	2	3	4	5
Through Handset (mixed)	7.37	10.54	13.10	15.29	17.16
Through Fixed Head (mixed)	6.97	10.26	12.70	14.72	16.56

## TECHNICAL DATA SHEET



# BRISTAN

D1