

BTZ BF C

BLITZ Tap Range Blitz Bath Filler Chrome



Features:

- Long life 1/4 turn ceramic disc valves for added durability and smooth control.
- Robust metal fixing nut to secure the tap in place reducing the risk of loosening over time.
- A hard-wearing, flawless, scratch resistant chrome finish that lasts for years. Salt spray tested to ensure added durability.
- 10 year parts and 1 year labour guarantee for peace of mind.
- Co-ordinating Bathroom taps, Recess shower and Accessories available.

Product Certifications:



WRAS Certificate No: 2006905
WRAS Expiry Date: 30/06/2025

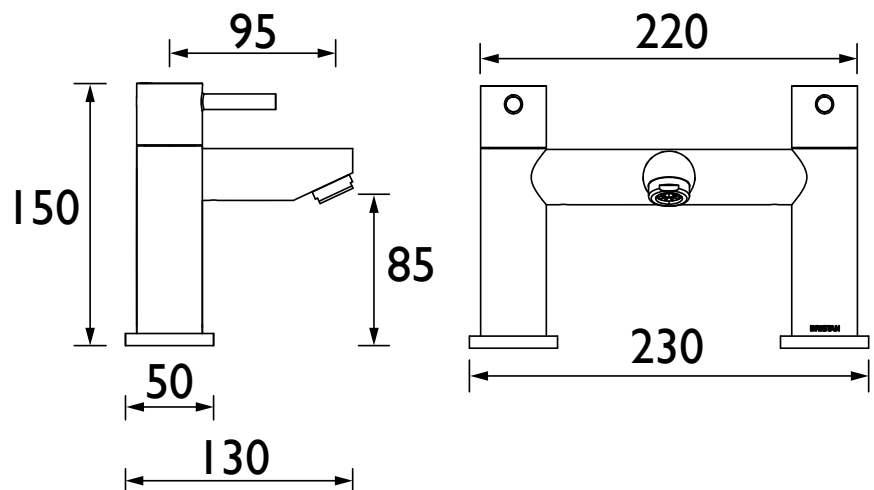
For more products, visit our website:
<http://www.bristan.com>



Specification

Product Type:	Bathroom Tap
Main Construction Material:	Brass
Mount Type:	Deck
Handle Type:	Lever Handles
Connection Inlet:	3/4" BSP
Connection Outlet:	Flow Straightener
Number of Tap Holes:	2
Valve/Cartridge Type:	3/4" Ceramic Disc Valve
Plumbing System Requirements:	Suitable for all plumbing systems
Minimum Dynamic Pressure (bar):	0.2 bar
Maximum Dynamic Pressure (bar):	5 bar
Maximum Hot Water Temperature °C:	65°C
Maximum Static Pressure (bar):	10 bar
Flow Type:	Single
Isolation Included:	No

Dimensions (measurements in mm)



Flow Rates (l/min)

System Pressure (bar)	0.2	0.5	1	2	3	5
BTZ BF C (mixed)	14.2	22.5	31.8	44.9	55	71

TECHNICAL DATA SHEET



BRISTAN

D7