

# APE ES TLBAS C

## APELO Tap Range Apelo Eco start Tall Basin Mixer with Clicker Waste Chrome



### Features:

- Eco Start technology saves energy by having cold water as the default central start position of the tap handle. Hot water is only activated when the tap lever is moved from the central position, so your boiler is not unnecessarily switched on.
- Long life ceramic cartridge for added durability and ease of use
- Includes clicker waste
- A hard-wearing, flawless chrome finish that lasts for years. Scratch resistant and salt spray tested to ensure added durability
- Metal fixing nut for added durability

### Product Certifications:



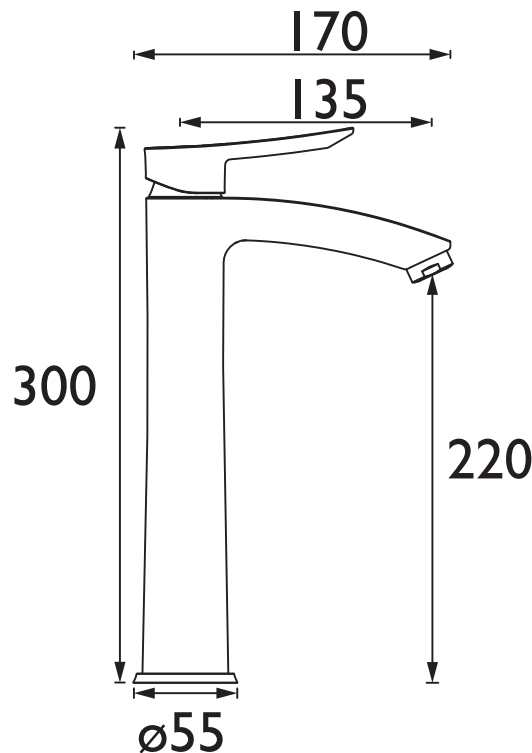
For more products, visit our website:  
<http://www.bristan.com>



### Specification

Product Type:	Bathroom Taps
Main Construction Material:	Brass
Mount Type:	Deck
Handle Type:	Long Angled
Connection Inlet:	1/2" BSP Flexible Tails
Connection Outlet:	Housed 5lpm M24 Aerator
Number of Tap Holes:	1
Valve/Cartridge Type:	35mm Cold Start Upper Seal Cartridge
Plumbing System Requirements:	Suitable for all plumbing systems
Minimum Dynamic Pressure (bar):	0.5 bar
Maximum Dynamic Pressure (bar):	5 bar
Maximum Hot Water Temperature °C:	60°C
Maximum Static Pressure (bar):	10 bar
Flow Type:	Single
Isolation Included:	No

### Dimensions (measurements in mm)



### Flow Rates (l/min)

System Pressure (bar)	0.5	1	2	3	5
APE ES TLBAS C (mixed)	2.8	4	5	5	5

## TECHNICAL DATA SHEET



# BRISTAN

D1