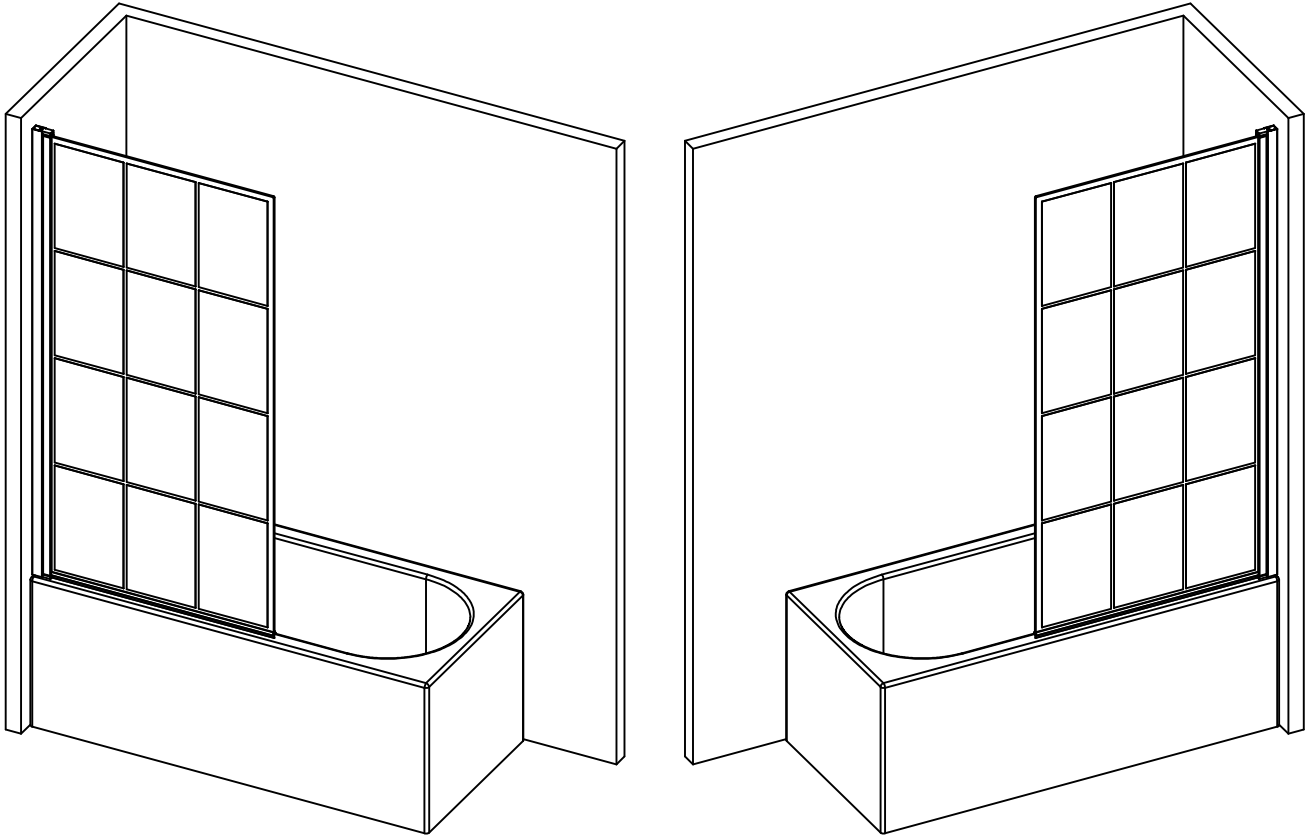


MFQBS0024 BATH SCREEN BLACK SQUARE
800mm x 1500mm
INSTALLATION MANUAL



Left-handed

Right-handed

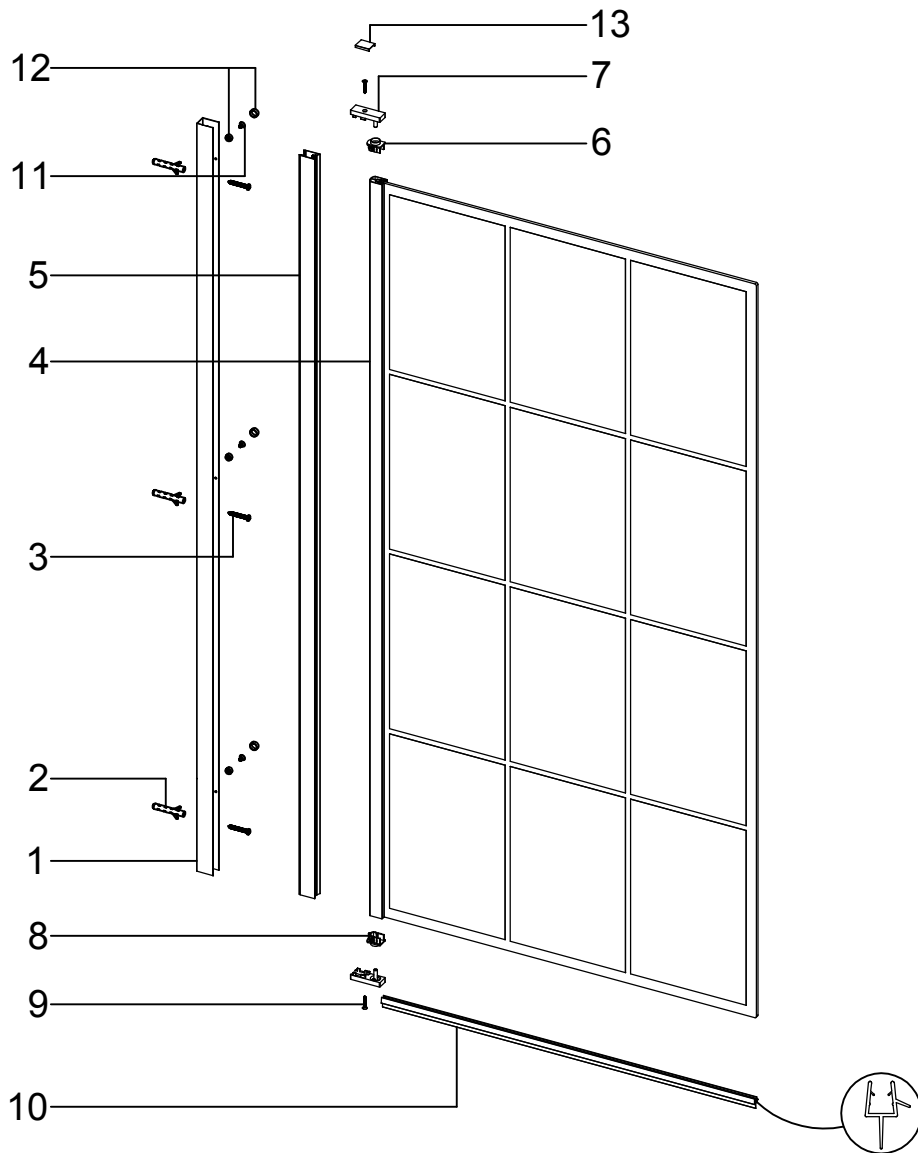
Reversible to suit both left-and right-handed baths

**INSTRUCTIONS FOR ASSEMBLY,
INSTALLATION AND USE**

Table of Contents

| | |
|--|------|
| Screen specification and contents | 3 |
| Tools Required (Not supplied)..... | 4 |
| Pre-installation and Technical Requirements..... | 5 |
| Important Safety Notes and Aftercare Instructions..... | 5 |
| Installation | 6-12 |

Screen Specification and Contents



Fixing Kit includes

| Ref | Description | Illustration | Qty |
|-----------|------------------------|--------------|-----|
| 1 | WALL PROFILE | | 1 |
| 4 | GLASS SCREEN | | 1 |
| 5 | VERTICAL PROFILE | | 1 |
| 10 | HORIZONTAL SPLASH SEAL | | 1 |

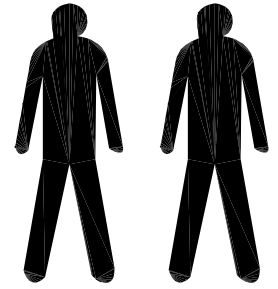
| Ref | Description | Illustration | Qty |
|-----------|--|--------------|-----|
| 2 | Expandable wall plug | | 3 |
| 3 | stainless steel screws: 3.9*35 | | 3 |
| 6 | top plastic barrel | | 1 |
| 7 | top & bottom bracket (convex) | | 2 |
| 8 | bottom plastic barrel (with raised lugs) | | 1 |
| 9 | stainless steel screws: 3.5*35 | | 2 |
| 11 | stainless steel screws: 3.5*10 | | 3 |
| 12 | screw washer & screw cap | | 3 |
| 13 | cover cap for wall profile | | 1 |
| 14 | 3mm Drill bit | | 1 |

Tools Required (Not Supplied)

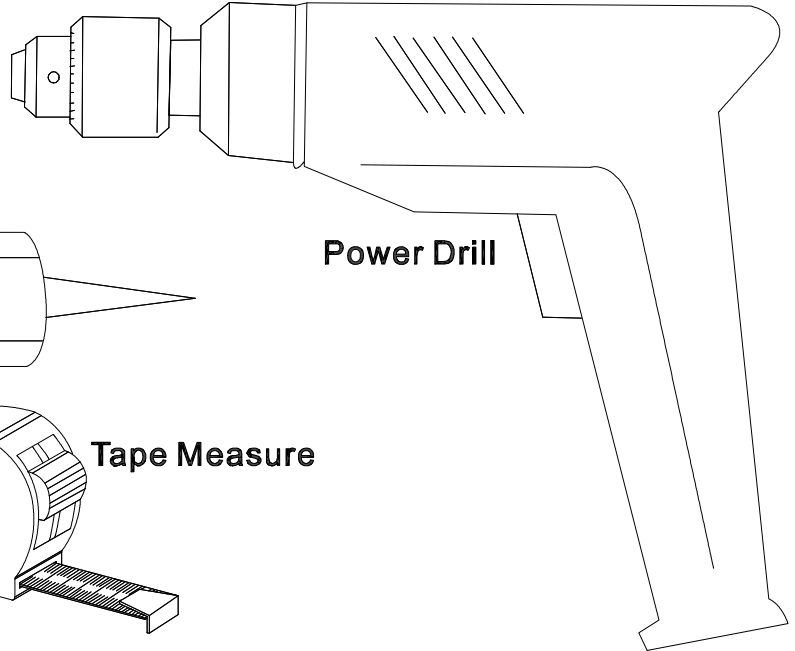
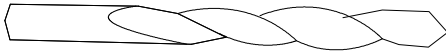
TOOLS REQUIRED (NOT SUPPLIED)

When you're ready to start make sure that you have the parts listed and the following tools to hand, plenty of space and a clean dry area for assembly.

Two people are needed. Please note although these instructions are comprehensive we always recommend that a technically competent installer should undertake the installation.

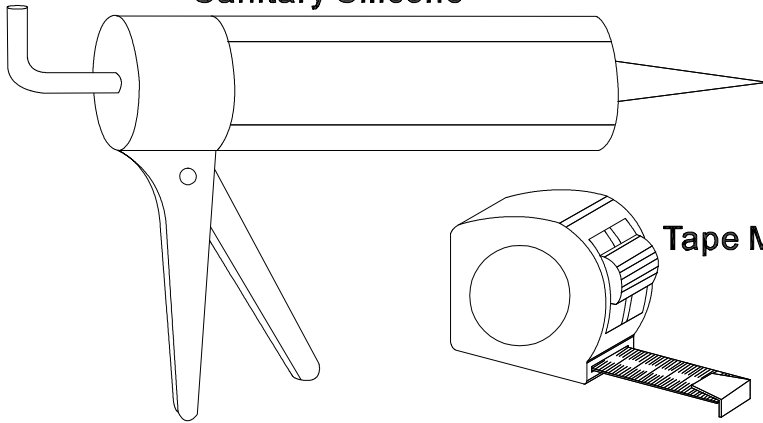


**Drill Bit to suit wall construction
6mm**

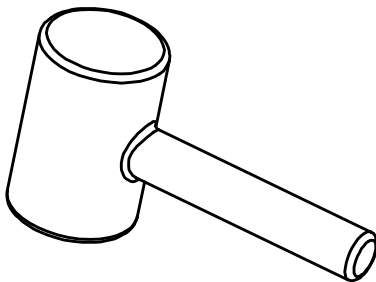
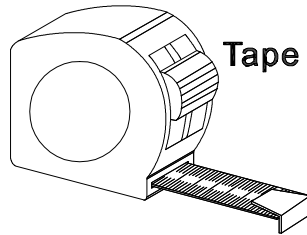


Power Drill

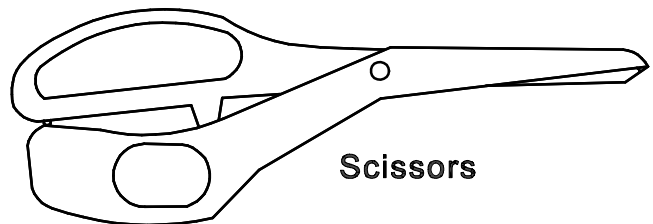
Sanitary Silicone



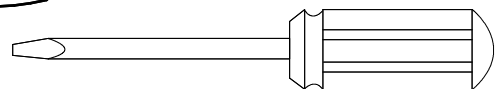
Tape Measure



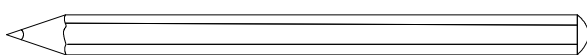
Rubber Mallet



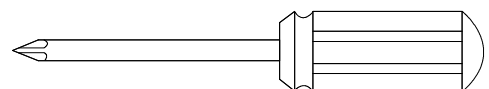
Scissors



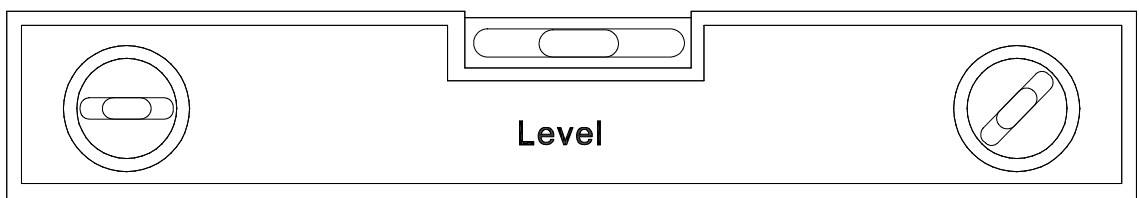
Flat Blade Screwdriver



Pencil



Magnetic Crosshead Screwdriver



Level

PRE-INSTALLATION AND TECHNICAL REQUIREMENTS

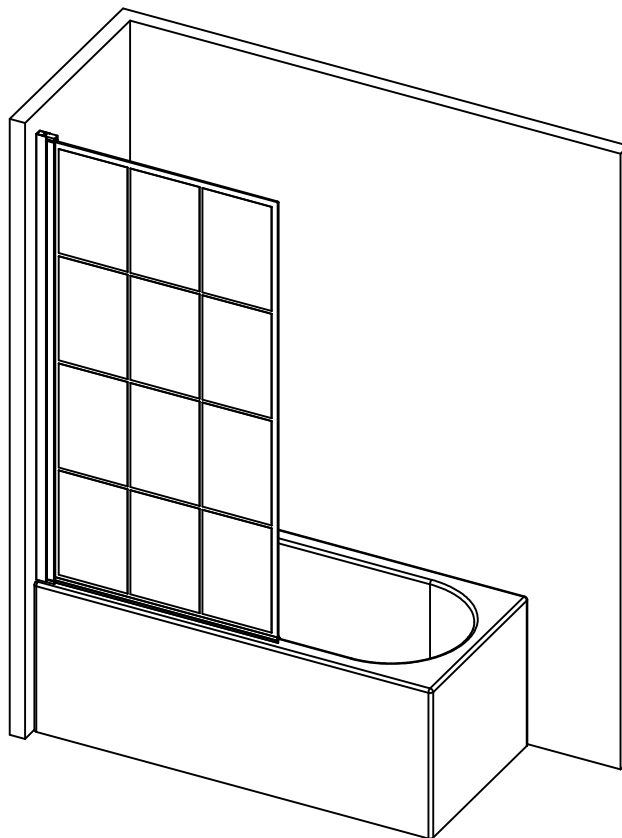
- All dimensions are shown in millimeters, except where otherwise indicated.
- Ensure that the screen set is fitted to a level bathtub and vertical wall surface.
- Please note: The wall fixings included with this product are suitable for solid walls only. Plasterboard or stud walls may require specialist fixings (not supplied).
- Due to the possibility of residual spray, the area around the outside of the bathtub tray should be tiled, or made otherwise water resistant.

IMPORTANT SAFETY NOTES

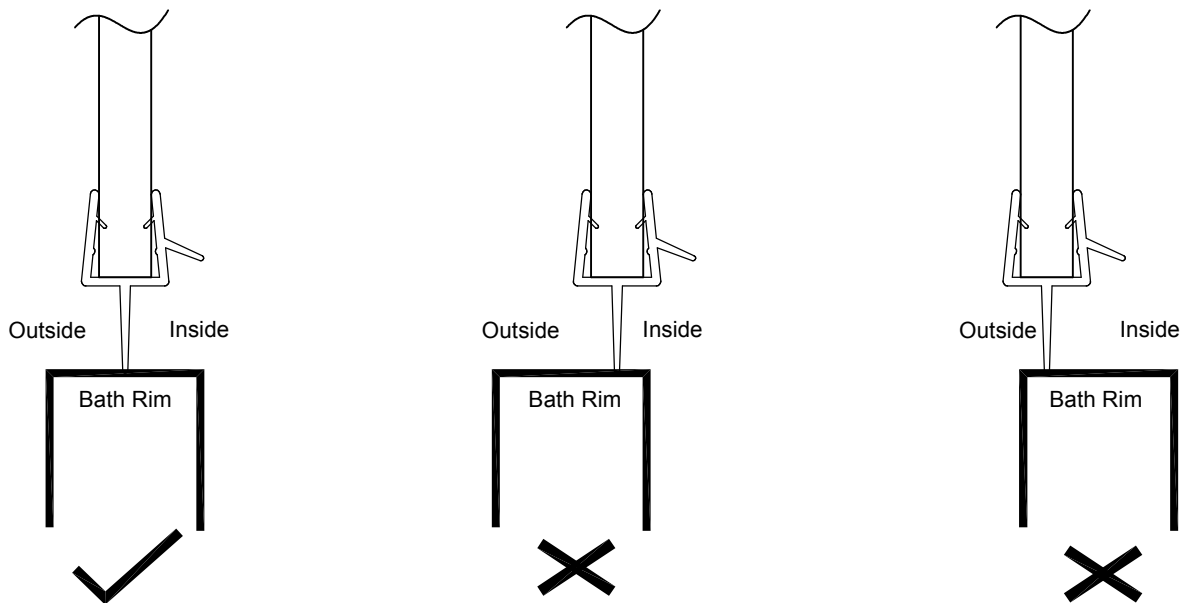
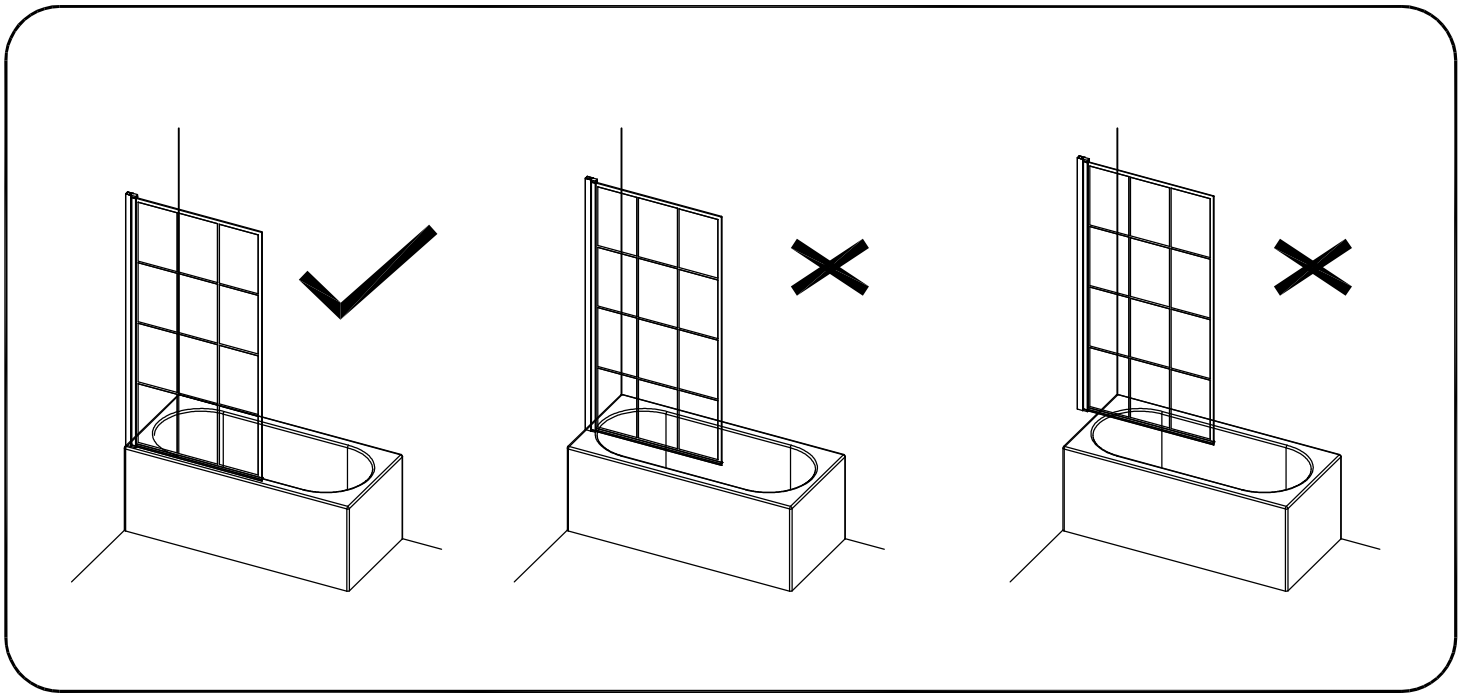
- Please handle all glass with care, avoiding knocks and shock loading to all sides and edges. Safety glass cannot be reworked.
- Care should be taken when drilling into walls to avoid hidden pipes or electrical cables.

AFTERCARE INSTRUCTIONS

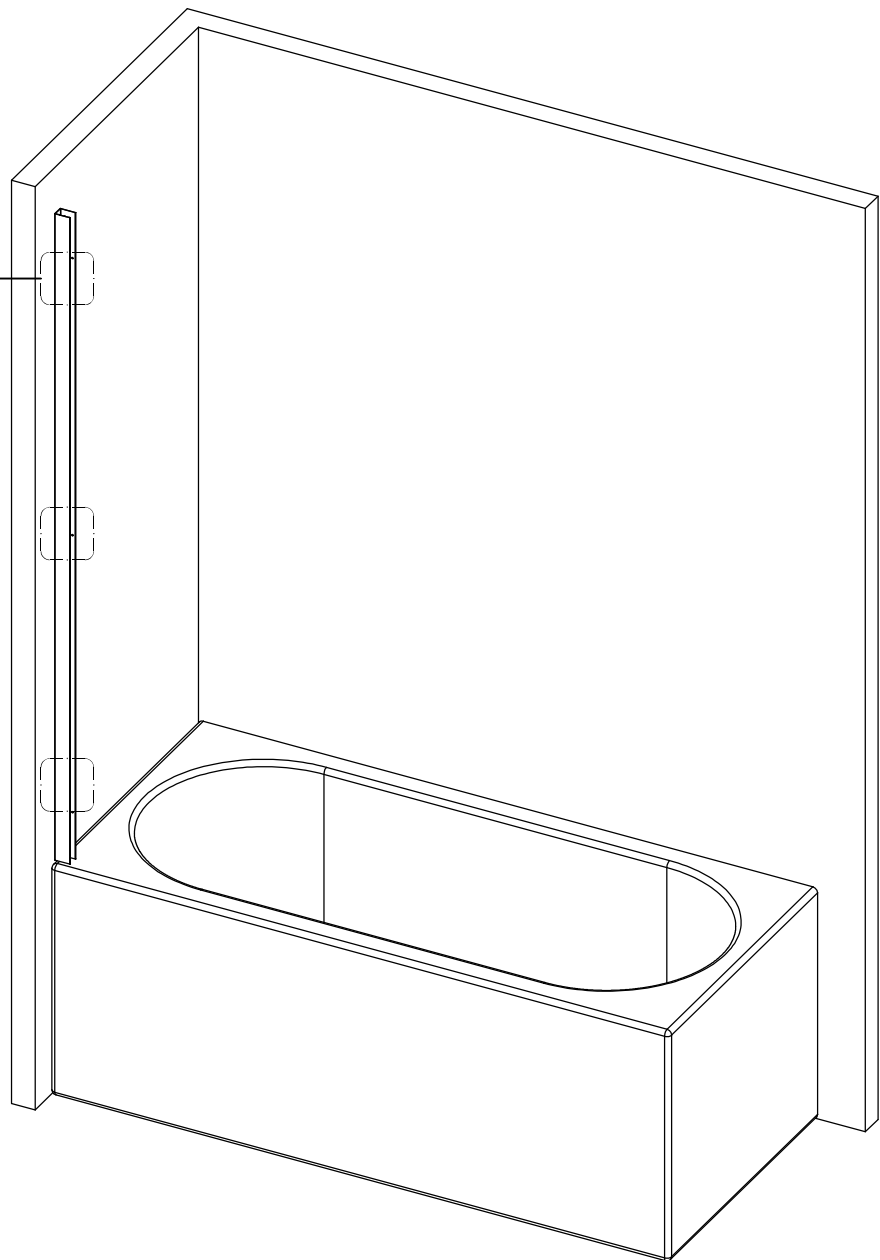
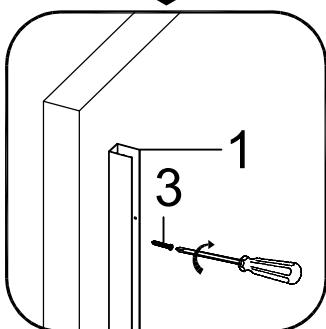
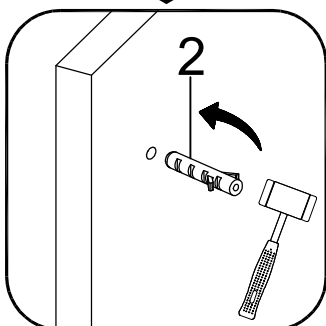
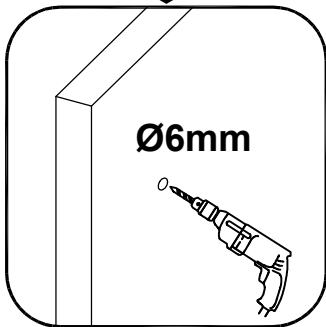
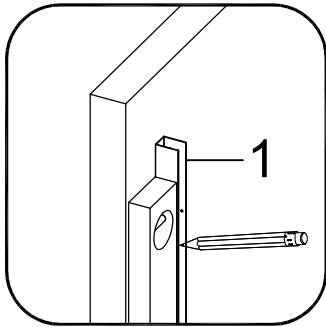
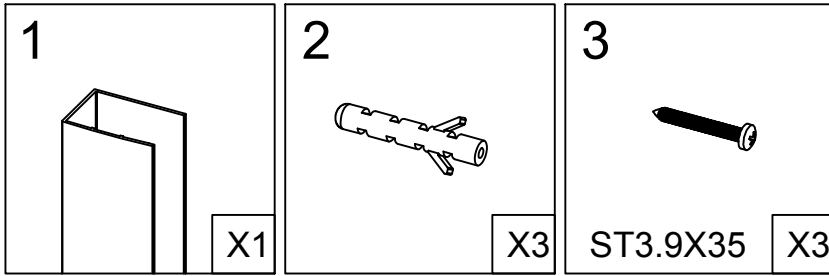
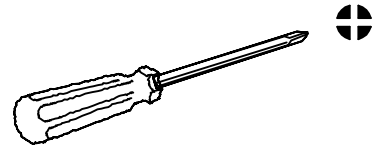
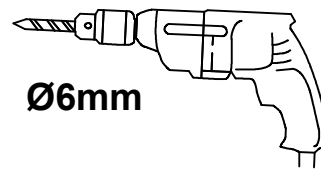
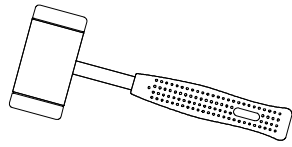
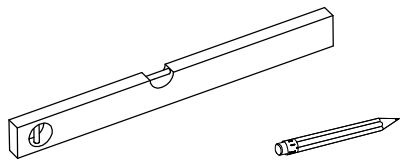
- Soap and water will be adequate to clean the glass. A glass cleaner can be used if required.
- In hard water districts, insoluble lime salts may be deposited on the glass. If this deposit is allowed to build up it becomes increasingly difficult to remove and looks unsightly. Regular cleaning will minimize this effect.

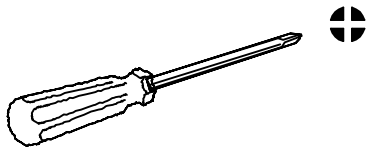


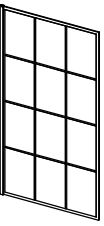

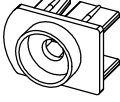
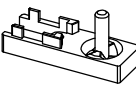

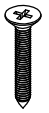
INSTALLATION



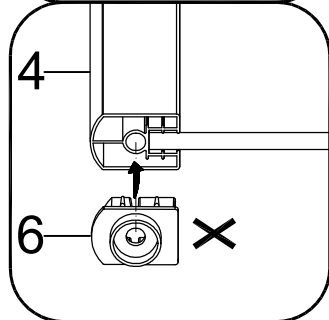
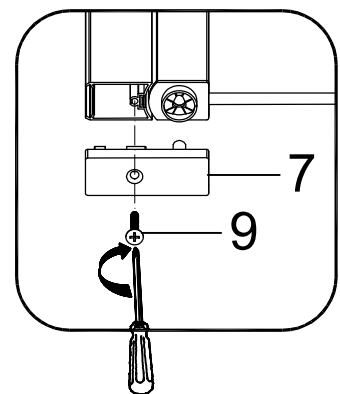
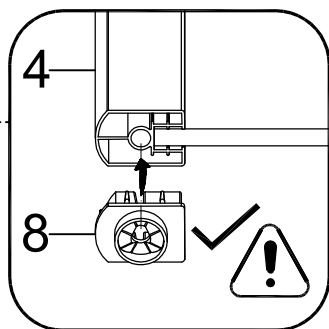
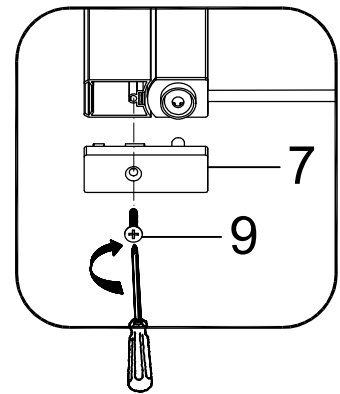
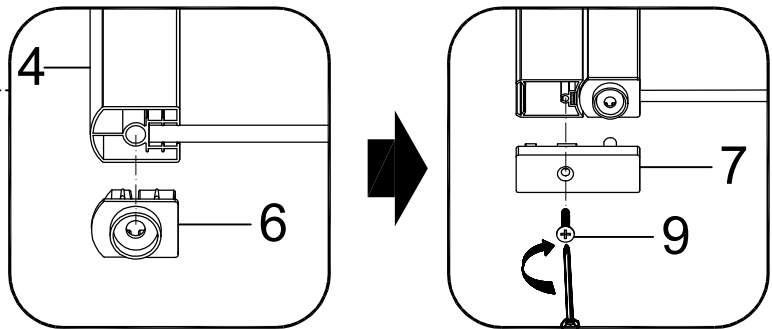
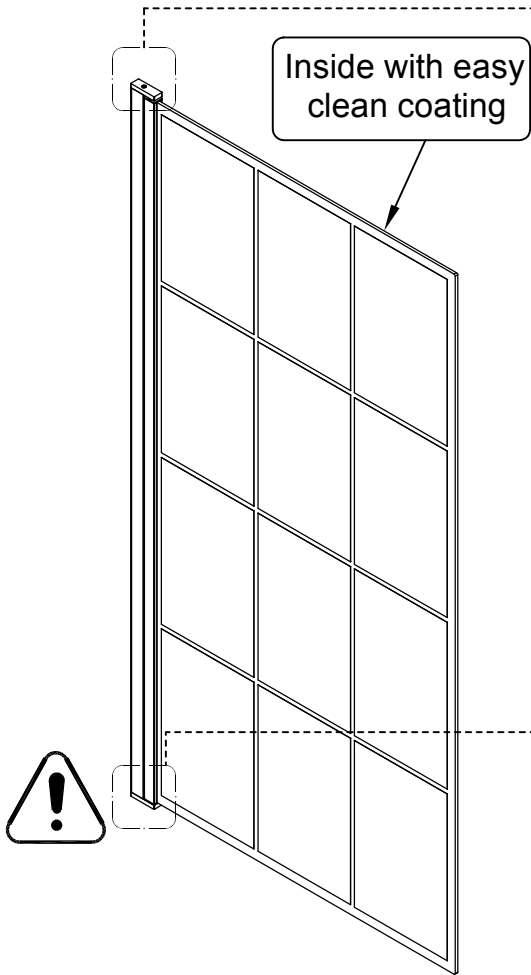
Please ensure that the screen is fitted in the center of the rim of the bath
Note: Failure to install the screen as shown with the lower bracket resting on the bath edge can result in excessive weight on the brackets causing them to fail.



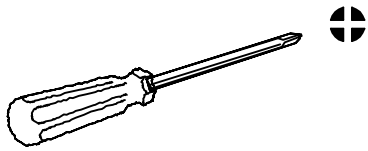


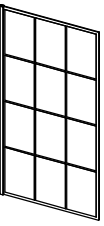

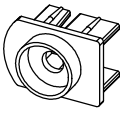
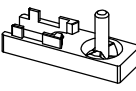
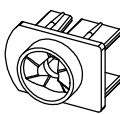

| | | | | | |
|--|--|--|--|--|--|
| 4  X1 | 5  X1 | 6  X1 | 7  X2 | 8  X1 | 9  ST3.5X35 X2 |
|--|--|--|--|--|--|

Left-handed



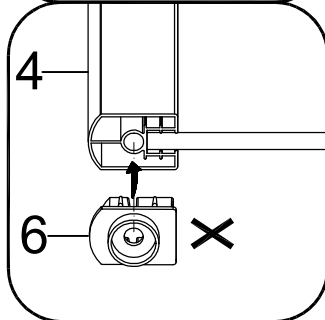
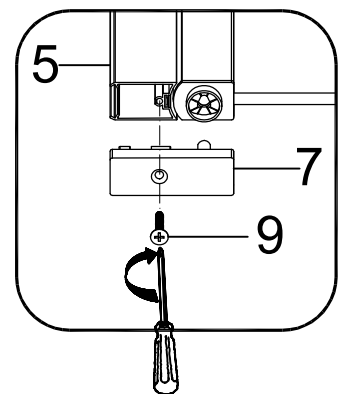
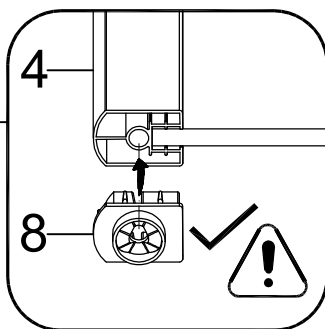
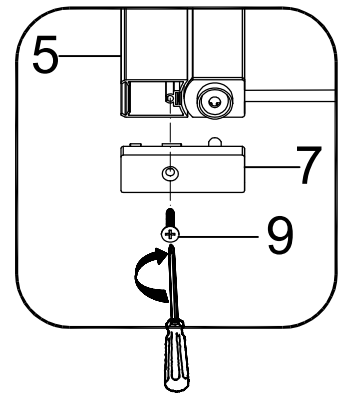
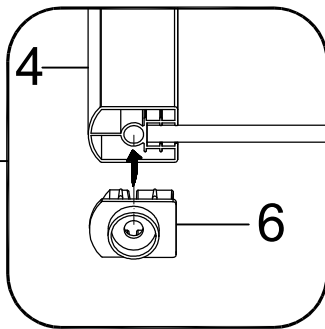
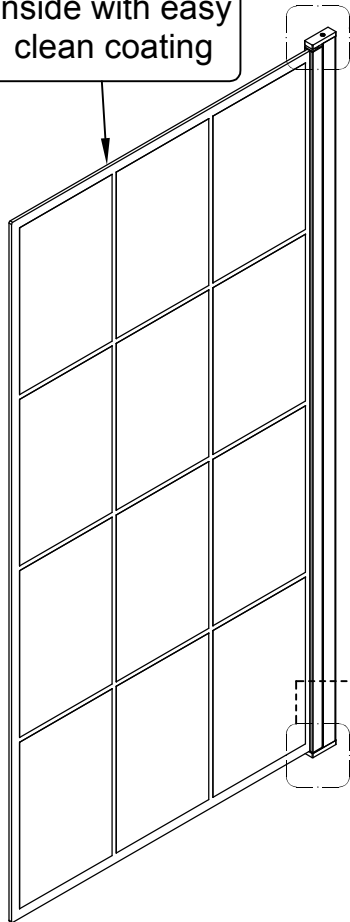
Note: Please make sure the door axle with two raised lugs is at the bottom of the screen.



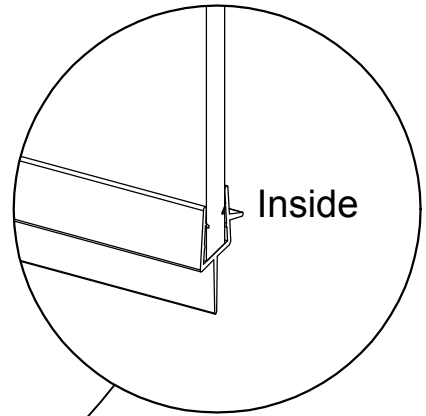
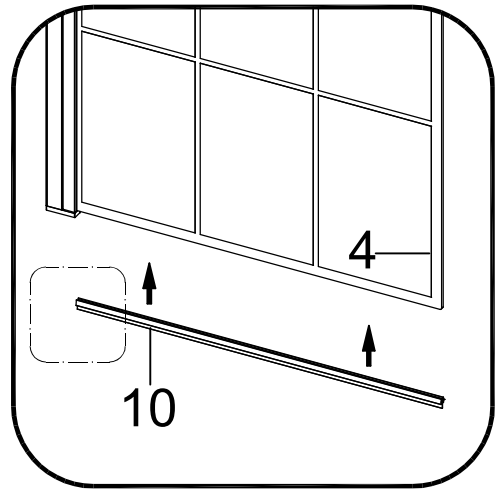
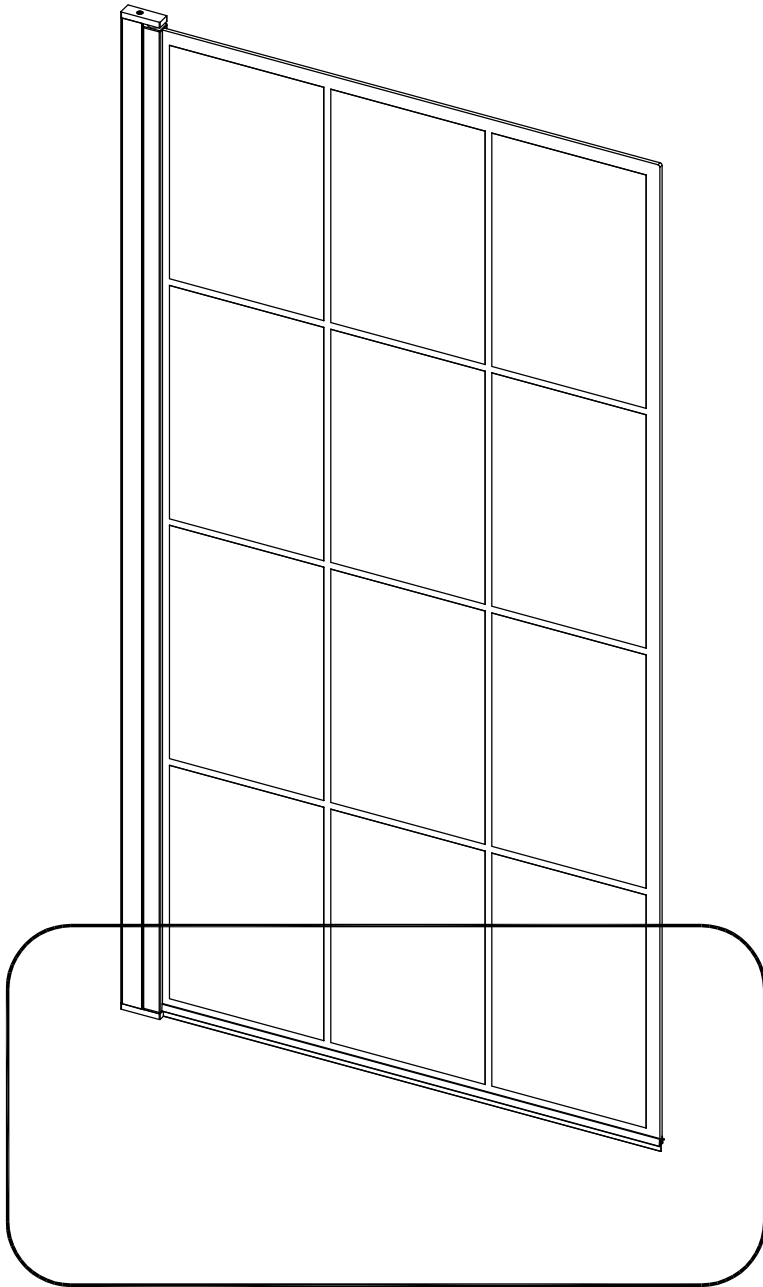
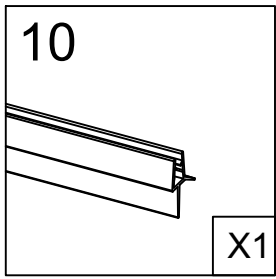
| | | | | | |
|--|--|--|--|--|--|
| <p>4</p>  <p>X1</p> | <p>5</p>  <p>X1</p> | <p>6</p>  <p>X1</p> | <p>7</p>  <p>X2</p> | <p>8</p>  <p>X1</p> | <p>9</p>  <p>ST3.5X35</p> <p>X2</p> |
|--|--|--|--|--|--|

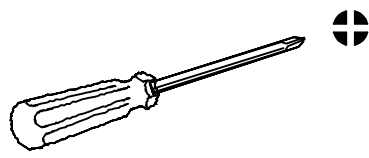
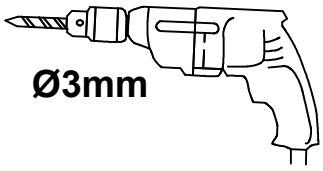
Right-handed

Inside with easy clean coating

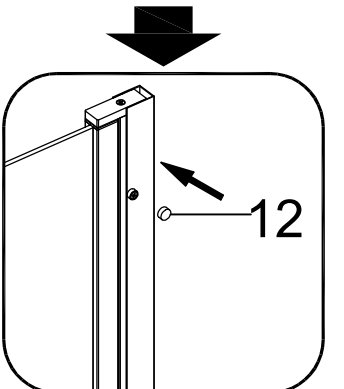
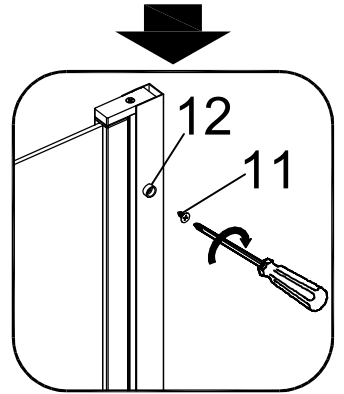
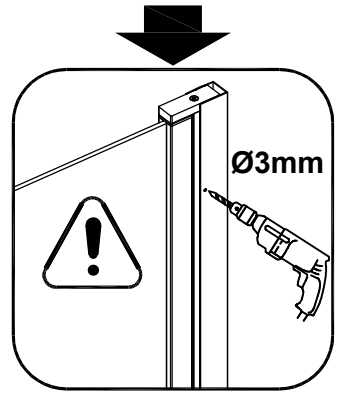
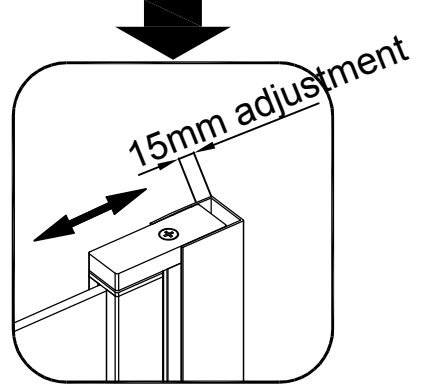
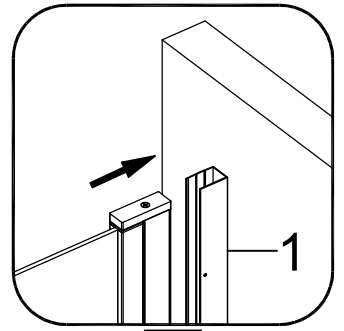
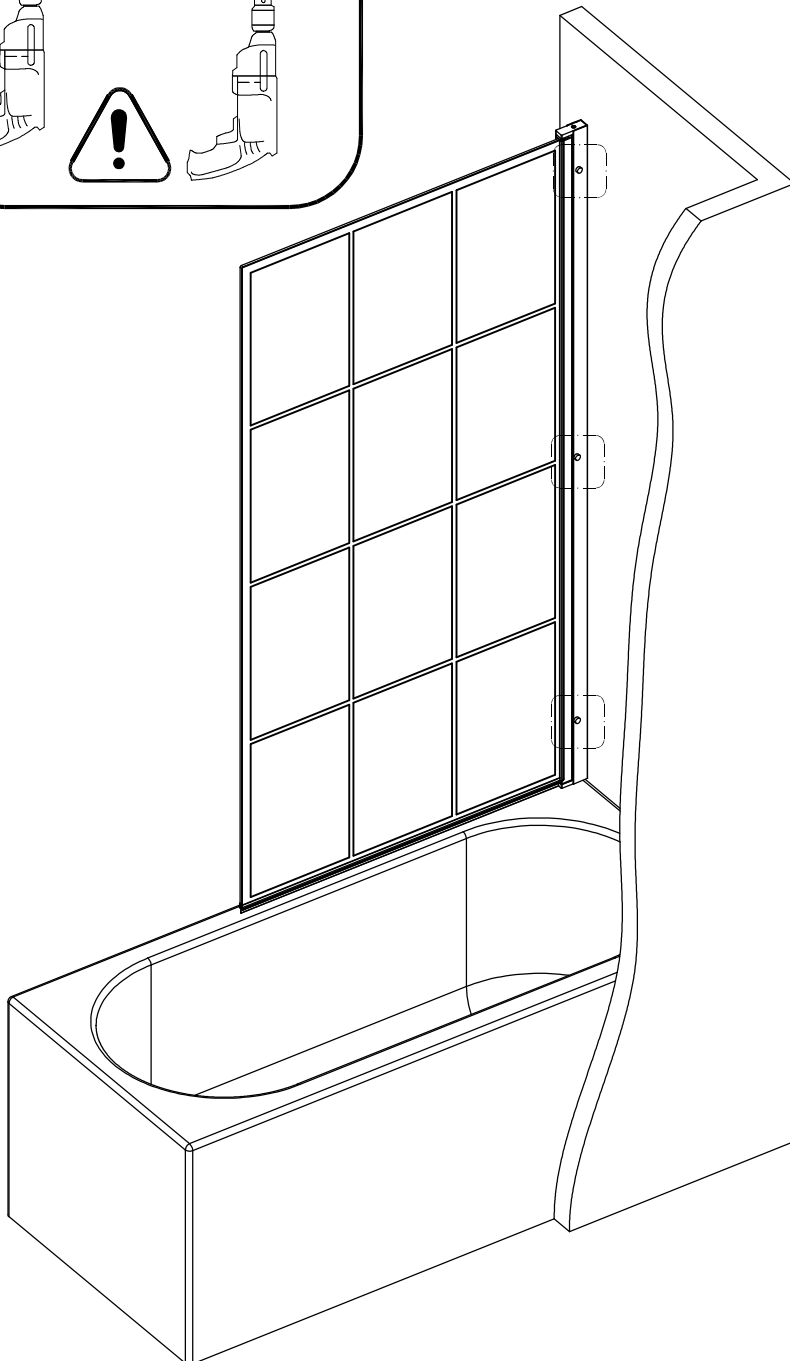
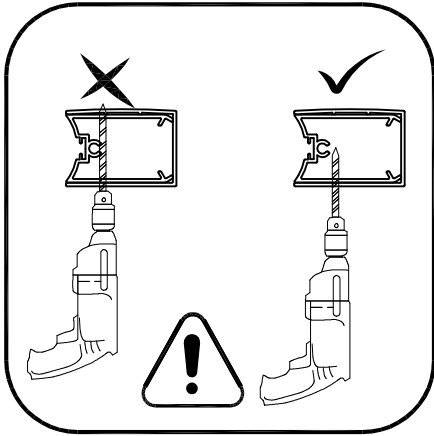


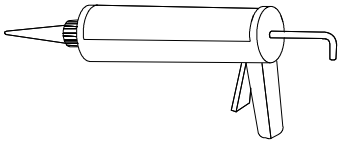
Note: Please make sure the door axle with two raised lugs is at the bottom of the screen.



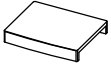


| | | |
|----------|----|------|
| 11 | 12 | 14 |
| | | |
| ST3.5X10 | | Ø3mm |
| X3 | X3 | X1 |





13



X1

