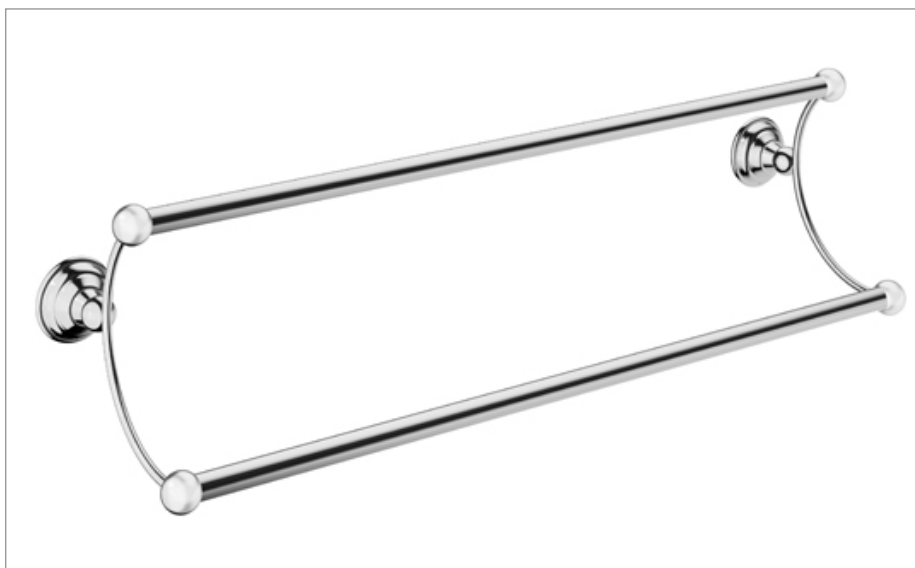


PRODUCT DATA SHEET



PRODUCT CODE

BL028C+

RANGE

BELGRAVIA

DESCRIPTION

Double Towel Rail 60cm

COLOUR Chrome

MATERIAL Brass

INSTALLATION TYPE Wall Mounted

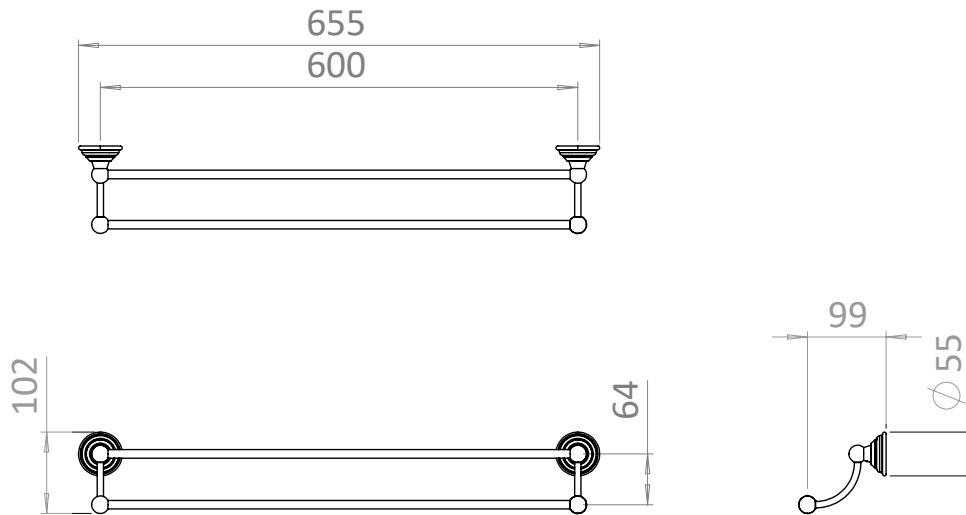
FINISH APPLCIATION Electroplating

WARRANTY 15 Years

TECHNICAL DIMENSIONS

Dimensions in mm unless otherwise specified.

Tolerances (per material type) apply.



V10522