

Sandringham 21 Sink Pillar Taps High Neck, Lever Handles

Illustrated

B9885 Sandringham 21 sink pillar taps high neck, lever handles

Configuration options

Weights

B9885 1.291KG

Colours

Chromium plated (AA)

Special Notes

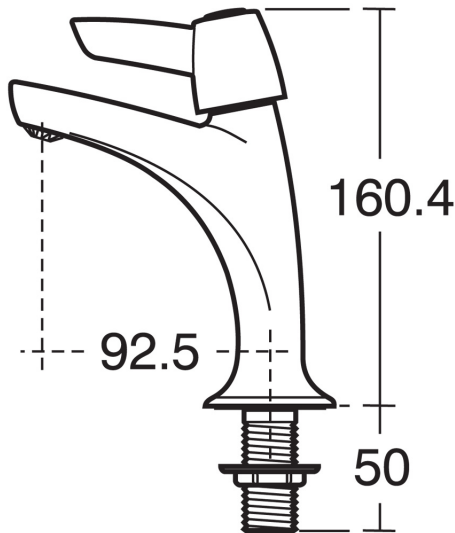
Suitable for balanced/unbalanced supplies high or low pressure. Inlets screwed 1/2in BSP male, coned for copper. Pillar taps come supplied with brass back nuts. Consideration should be given to safe hot water delivery and the use of an appropriate temperature reduction device

Frequently used applications

Education	Factory
General Healthcare	Hotels
Office	Public Building
Pubs and Clubs	Residential
Retail	Social Housing
Sports and Leisure	Student Accommodation

Accreditations

WRAS



*Armitage
Shanks*

Tel: 0870 122 8822
Fax: 0870 122 8282
Email: info@idealspec.co.uk
Web: www.idealspec.co.uk

Ideal Standard (UK) Ltd. makes every effort to ensure that the information provided on its website is accurate. However, we cannot guarantee this, and accept no liability for any information or advice given via its website.

Powered by
IdealSpec

Date created: 24/02/2013