

## Sandringham 21 Sink Pillar Taps High Neck, Crosshead Handles

### Illustrated

**B9879** Sandringham 21 sink pillar taps high neck, crosshead handles

### Configuration options

### Weights

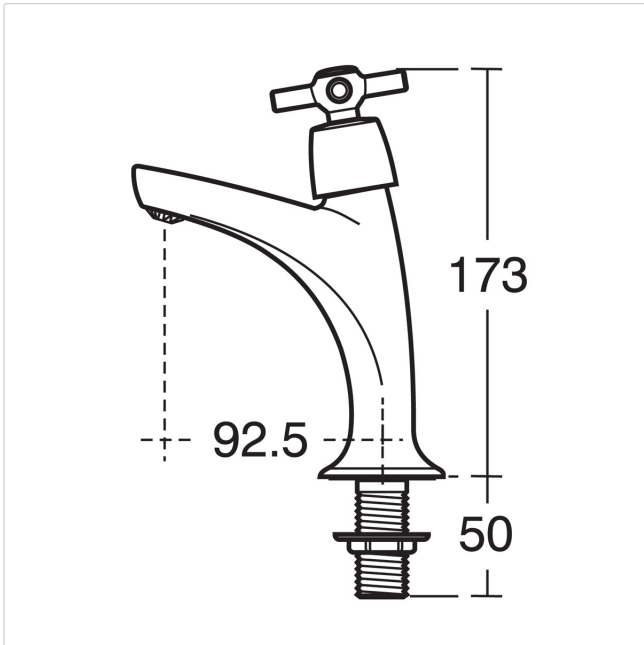
B9879 1.261KG

### Colours

Chromium plated (AA)

### Special Notes

Suitable for balanced/unbalanced supplies. Inlets screwed 1/2in BSP male, coned for copper. Pillar taps come supplied with brass back nuts. Consideration should be given to safe hot water delivery and the use of an appropriate temperature reduction device



### Frequently used applications

Education	Factory
General Healthcare	Hotels
Office	Public Building
Pubs and Clubs	Residential
Retail	Social Housing
Sports and Leisure	Student Accommodation

### Accreditations

WRAS

*Armitage  
Shanks*

Tel: 0870 122 8822  
Fax: 0870 122 8282  
Email: [info@idealspec.co.uk](mailto:info@idealspec.co.uk)  
Web: [www.idealspec.co.uk](http://www.idealspec.co.uk)

Ideal Standard (UK) Ltd. makes every effort to ensure that the information provided on its website is accurate. However, we cannot guarantee this, and accept no liability for any information or advice given via its website.

Powered by  
**Ideal**Spec

Date created: 24/02/2013