



Sandringham Sink 1 Taphole Mixer, Single Lever Swivel spout

Illustrated

B4449 Sandringham sink mixer 1 hole, lever operated with single flow swivel spout

Configuration options

Material

Chrome Plated Metal

Weights

B4449 1.844KG

Colours

Chromium plated (AA)

Flow rates

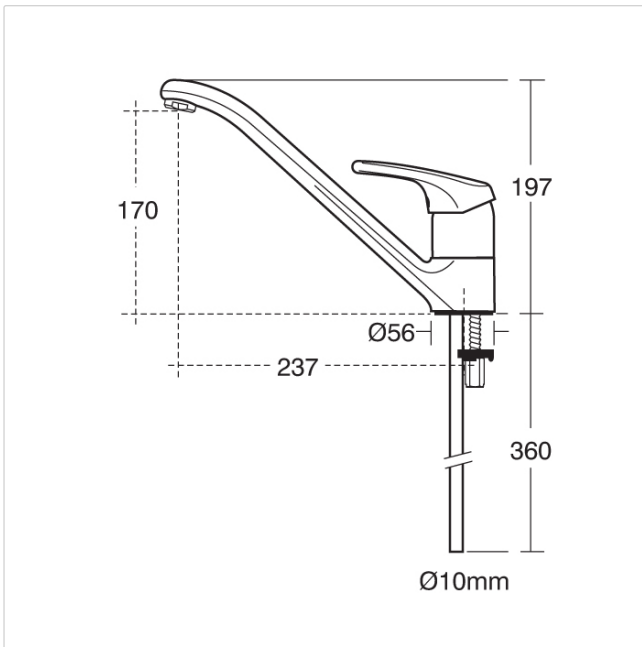
5 Litres per minute @ 3 bar pressure

Standards

WRAS approved

Special Notes

The CLICK cartridge offers water saving by encouraging the user to only lift open the handle before coming against slight resistance. This resistance informs the user that the fitting is delivering only 50% of its maximum flow potential. Lifting the handle beyond the resistance enables the fitting to deliver at maximum level. The cartridge also features a limiting device that can restrict movement of the handle on the hot side, adding a major safety feature. Inlets with 10mm plain copper tails.



Frequently used applications

Factory

Hotels

Pubs and Clubs

Retail

General Healthcare

Office

Residential

Features

Special Care

Water Saving

Accreditations

WRAS

*Armitage
Shanks*

Tel: 0870 122 8822
Fax: 0870 122 8282
Email: info@idealspec.co.uk
Web: www.idealspec.co.uk

Ideal Standard (UK) Ltd. makes every effort to ensure that the information provided on its website is accurate. However, we cannot guarantee this, and accept no liability for any information or advice given via its website.

Powered by
IdealSpec

Date created:24/02/2013