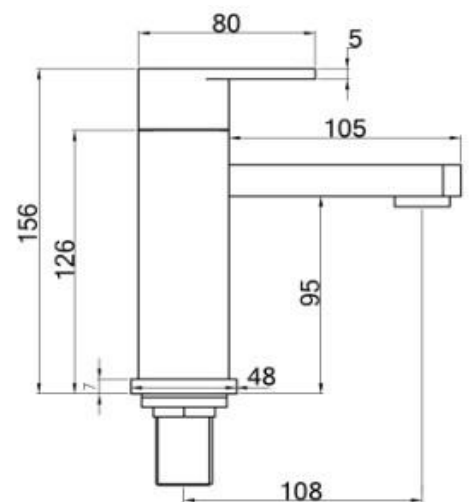
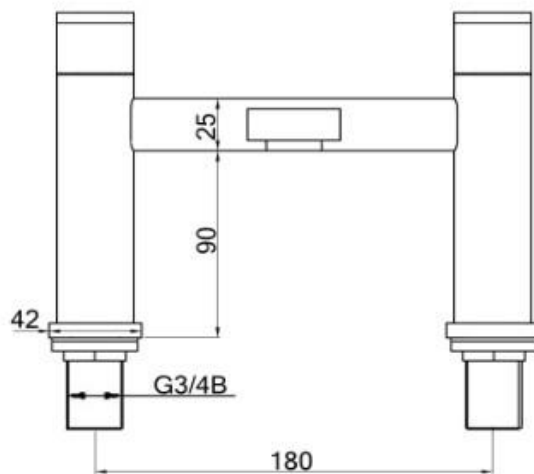


TECHNICAL DATA SHEET

EDITION Deck Mounted Bath Filler

Product Code	TBTS-32-3202
Construction	Brass Body CuZn40Pb2, EN CW617N (equivalent to BS CZ122)
Finishes	Chrome plated to BS EN 248
Product Type	Contemporary
Water Pressure	Min. 0.2 bar, Max. 6.0 bar
Plumbing Systems	Suitable for all plumbing systems
Standards	Complies with BS5412, BS EN200
Certification	Manufactured to comply with WRAS
Cartridge	1/4 Turn 3/4" Ceramic Disc Valves
Aerator	Laminar
Fitting	Brass 3/4" BSP tails
Packaging	50 x 30 x 36cm / carton (4 boxes / carton)
Guarantee	15 years against manufacturing faults (excluding serviceable parts).



Flow Rates (Litres per minute)

System Pressure	0.1 Bar	0.2 Bar	0.3 Bar	0.5 Bar	1.0 Bar	1.5 Bar	2.0 Bar	3.0 Bar	4.0 Bar	5.0 Bar
	-	10.0	-	18.0	23.0	-	-	-	-	-

The information contained on this page was correct at date of issue. Fitting dimensions are provided as a guide only. Some variation may occur due to manufacturing tolerances. We pursue a policy of continuing improvement in design and performance of our products and so reserve the right to change specifications without prior notice.