

AST BAS C

ASTER Tap Range Aster Basin Mixer with Clicker Waste Chrome



Features:

- A hard-wearing, flawless chrome finish that lasts for years
- Long life ceramic cartridge for added durability and ease of use
- All in one box - Includes flexible tails and clicker waste so nothing to buy separately
- Supplied with metal fixing nut to secure your tap in place
- Suitable for high and low pressure water systems

Product Certifications:



WRAS Cert. Number: 1907935
WRAS Expiry Date: 31/07/2024



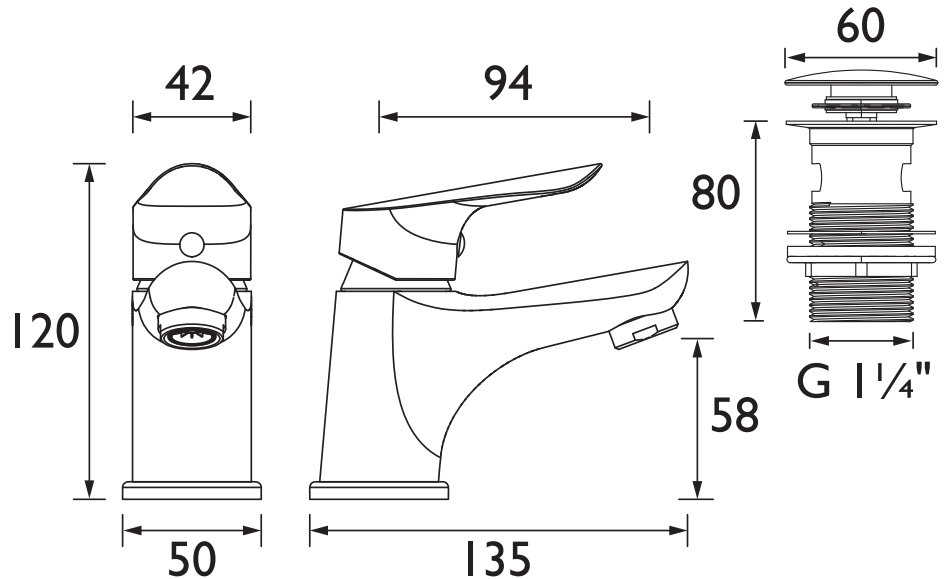
For more products, visit our website:
<http://www.bristan.com>



Specification

Product Type:	Bathroom Tap
Main Construction Material:	Brass
Mount Type:	Deck Mounted
Handle Type:	Lever Handles
Connection Inlet:	1/2" BSP Flexible Tails
Connection Outlet:	M24 Aerator
Number of Tap Holes:	1
Valve/Cartridge Type:	35mm Single Lever Cartridge
Plumbing System Requirements:	Suitable for all plumbing systems
Minimum Dynamic Pressure (bar):	0.2 bar
Maximum Dynamic Pressure (bar):	5.0 bar
Maximum Hot Water Temperature °C:	60°C
Maximum Static Pressure (bar):	10 bar
Flow Type:	Single Flow
Isolation Included:	No

Dimensions (measurements in mm)



Flow Rates (l/min)

System Pressure (bar)	0.2	0.5	1	2	3	5
AST BAS C (mixed)	4	6.7	9.6	13.7	16.8	21.9

TECHNICAL
DATA
SHEET



BRISTAN

D3