

AS2 THBSM C

ASSURE Tap Range Assure TMV2 Thermostatic Bath Shower Mixer Chrome



Specification

Product Type:	Bathroom Taps
Main Construction Material:	Brass
Mount Type:	Deck Mounted
Handle Type:	Round Handles
Connection Inlet:	3/4" BSP
Connection Outlet:	G 1/2"
Number of Tap Holes:	2
Valve/Cartridge Type:	Ceramic Disc Valve & Thermostatic Cartridge
Plumbing System Requirements:	Nominally Balanced Supply Pressures Only
Working Pressure Range:	Min. 0.5 Bar - Max. 5.0 Bar
Maximum Hot Water Temperature: °C	80
Maximum Static Pressure: (bar)	10
Flow Type:	Dual Flow
Isolation Included:	No

Features:

- Thermostatic TMV2 control to bath & shower functions
- Dual Control
- Pre-set maximum temperature at 38°C which can be overridden
- Operates at a minimum pressure of 0.5 Bar
- Supplied without shower kit
- Can be wall mounted using WMNT10 C

Product Certifications:



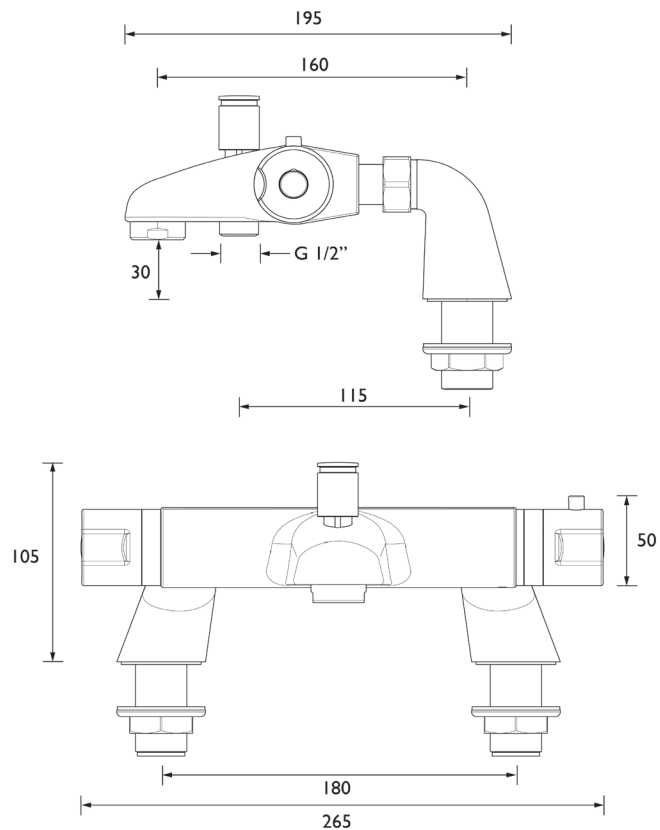
WRAS Cert. Number: 1709143
WRAS Expiry Date: 30/09/2022



For more products, visit our website:
<http://www.bristan.com>



Dimensions (measurements in mm)



Flow Rates (l/min)

System Pressure (bar)	0.5	1	2	3	4	5
AS2 THBSM C	11.3	16	22.6	27.7	32	35.8

TECHNICAL DATA SHEET



BRISTAN

D8