



### Features:

- 150mm inlet centres
- TMV2 thermostatic control for a higher level of performance and protection
- Factory fitted flow regulators means this is a water saving "Eco" shower
- Adjustable fixing brackets on riser rail enables existing screwholes to be used
- Supplied with rub clean handset

### Product Certifications:



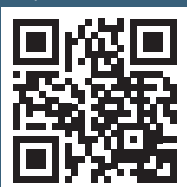
WRAS Certificate No: 1904904  
WRAS Expiry Date: 30/04/2024



TMV2 Certificate No: NSF2126/0619  
TMV2 Expiry Date: 13/06/2024



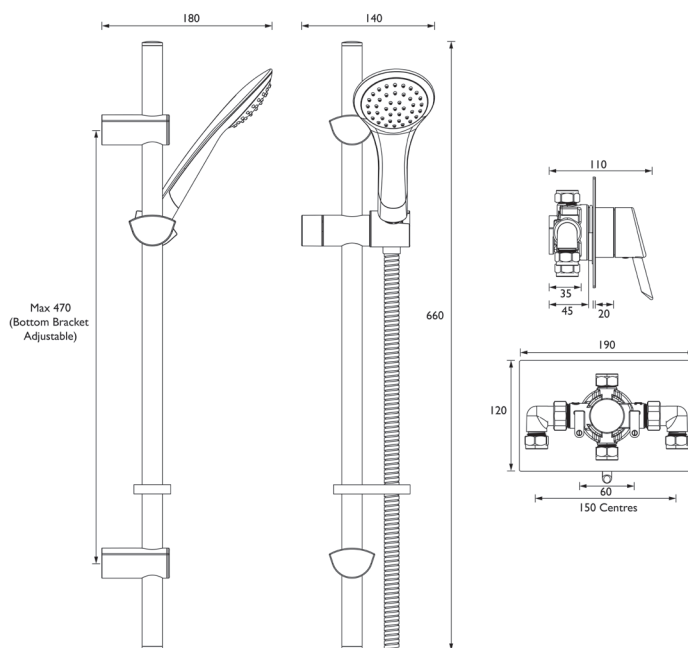
For more products, visit our website:  
<http://www.bristan.com>



### Specification

Style:	Contemporary
Finish/Colour:	Chrome
Main Construction Material:	Brass
No of Controls:	1
Shower Type:	Recessed Sequential
Shower Head Type:	Single Function Handset
Valve/Cartridge Type:	Sequential
Maximum Hot Water Supply Temperature °C:	65
Dynamic Pressure Range: (bar)	5
Maximum Static Pressure: (bar)	10
Plumbing System Suitability:	All, Preferably Balanced
Working Pressure Range:	Min. 0.2, Max. 5.0
Flow Rate: (l/min @ 3 bar)	7.5
Connection Inlet:	15mm Compression
Connection Outlet:	G 1/2"
Isolation Valve Included:	No
Check Valve Included:	Yes

### Dimensions (measurements in mm)



### Flow Rates (l/min)

System Pressure (bar)	0.2	0.5	1	2	3	5
With Flow Regulators	---	---	6.7	7.2	7.5	7.8
Without Flow Regulators	5.5	10	12.4	17.6	30.5	39.5

## TECHNICAL DATA SHEET



# BRISTAN