

980505CPVR

Accessories Swivel Showerhead with Vandal Resistant Screw Fixing



Specification	
Finish/Colour:	Chrome Plated
Main Construction Material:	ABS
Shower Head Type:	Swivel Vandal Resistant
Rub Clean Handset:	Yes
Mounting Type:	Wall Mounted
Plumbing System Suitability:	Suitable for all plumbing systems
Minimum Dynamic Pressure (bar):	0.2 bar
Maximum Dynamic Pressure (bar):	5.0 bar
Maximum Static Pressure (bar):	10 bar
Connection Inlet:	1/2" BSP
Check Valve Included:	No

Features:

- Tamper resistant screw fixing and spray plate
- Swivel ball joint for angle adjustment
- Choice of spray rings to suit varying water pressures
- 1/2" BSP inlet connections

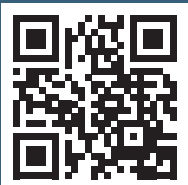
Product Certifications:



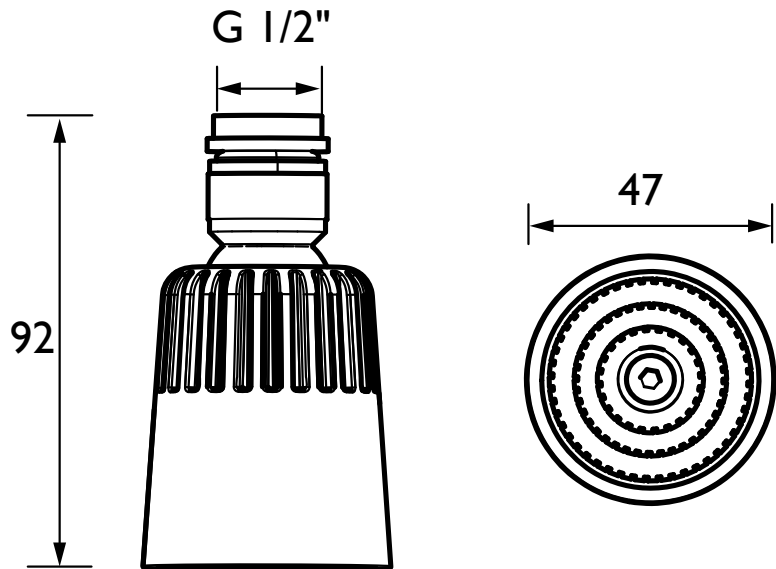
WRAS Certificate No:
TA|30/06/2025_2006911
WRAS Expiry Date:
TA|30/06/2025_2006911



For more products, visit our website:
<http://www.bristan.com>



Dimensions (measurements in mm)



Flow Rates (l/min)

System Pressure (bar)	0.2	0.5	1	2	3	5
Through Fixed Head (mixed)	3.4	5.4	7.7	10.9	13.3	17.2

TECHNICAL
DATA
SHEET



BRISTAN

D6