

## **AFTERCARE INSTRUCTIONS**

Your fitting has a high quality finish and should be treated with care to preserve the visible surfaces.

All surface finishes will wear if not cleaned correctly, the only safe way to clean your product is to wipe with a soft damp cloth. Stains can be removed using washing up liquid. All bath cleaning powders and liquids will damage the surface of your fitting, even the non-scratch cleaners. **NOTE: Never use abrasive detergents or disinfectants or those containing alcohol, hydrochloric acid or phosphoric acid.**

### **TELEPHONE HELPLINE: 0844 701 6273**

Bristan Group Ltd.  
Birch Coppice Business Park  
Dordon  
Tamworth  
Staffordshire  
B78 1SG  
UK  
Telephone: 0844 701 6274  
Facsimile: 0844 701 6275  
Email: [enquire@bristan.com](mailto:enquire@bristan.com)

# BRISTAN

## **Fixed Shower Head (Chrome)**

## **Fitting Instructions & Contents List**

Before starting any installation project please consider:

Prior to drilling into walls, check there are no hidden electrical wires, cables or water supply pipes with the aid of an electronic detector. If you use power tools do not forget:



- Wear eye protection
- Unplug equipment after use

**Please keep these instructions for future reference and request of replacement part**

This fixed head is intended to be used in conjunction with other products, such as a shower arm & valve.

### **Installation**

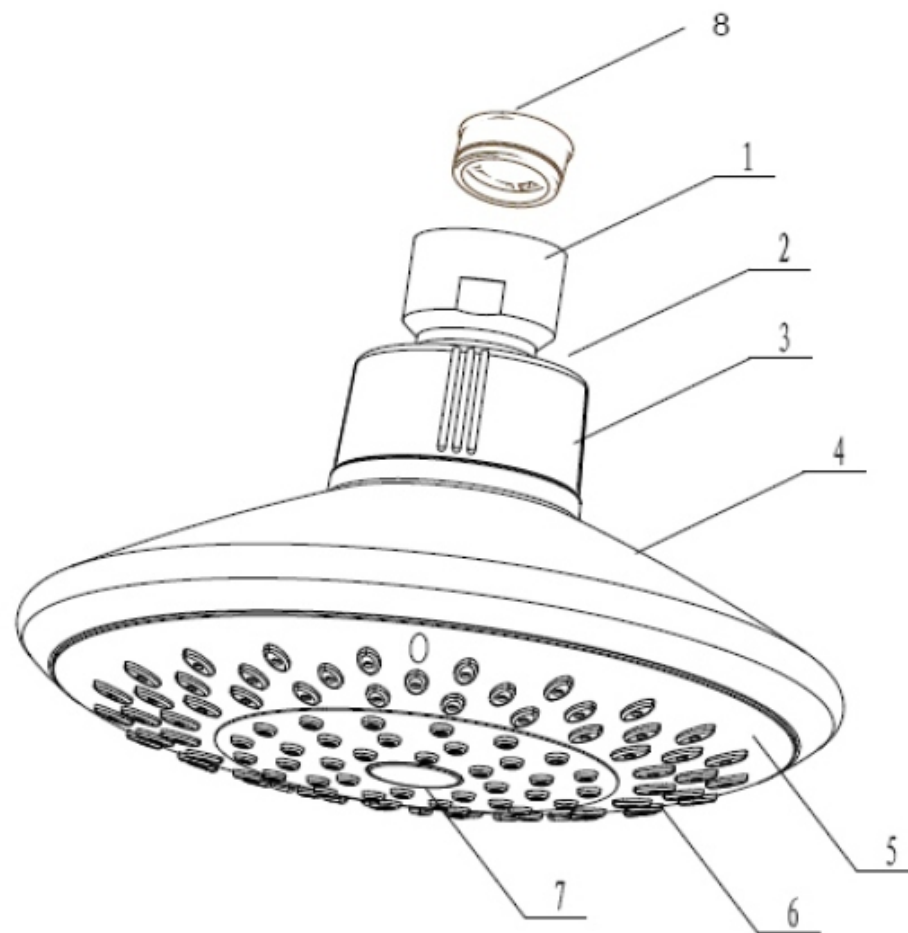
This shower head should be arranged in your system with a supply or pre-mixed water from a shower valve.

**Please Note this shower head comes with an optional 6 litre per minute flow limiter (8) that can be fitted as required to reduce water usage**

This product is designed to be fitted to shower arms with a male ½" BSP thread. If replacing a shower rose, simply unscrew the current one & fit the new rose. The shower head comes with a swivel joint, so the rose can be positioned as desired.

Tighten by hand ONLY. Check joints & connections for any leakages, if this occurs check the condition of the washer. Replace if necessary or reseal correctly the re-tighten.

In order to maintain optimum spray, we advise that the rub clean nozzles (6) on the faceplate (5) are regularly cleaned by gently rubbing during use.



### **Contents**

- 1) Ball Joint
- 2) Joint Ball Cover
- 3) Cover
- 4) Body
- 5) Faceplate
- 6) Rubclean Nozzles
- 7) Screw Cover
- 8) Flow Limiter