

Commissioning

- Refit the shade with the allen screws set aside earlier.
- Replace fuse or circuit breaker and switch on. Your light is now ready for use.

Fitting/replacing bulbs

- The LED's in this product are non replaceable.

We recommend cleaning with a soft dry cloth.

Do not use solvents or abrasive cleaners as these could damage the finish.

Glass parts – Wash with warm water or just use a damp cloth. Do not use abrasive materials as these will damage the finish.

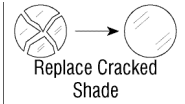
Recycling advice



Waste electrical products should not be disposed of with household waste. Please recycle where facilities exist. Check with your Local Authority or retailer for recycling advice.

Safety information

For your safety, always switch off the supply before changing lightbulbs, or cleaning.

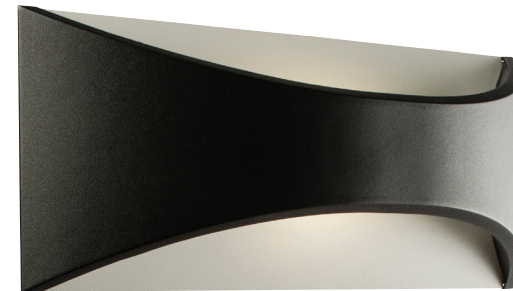
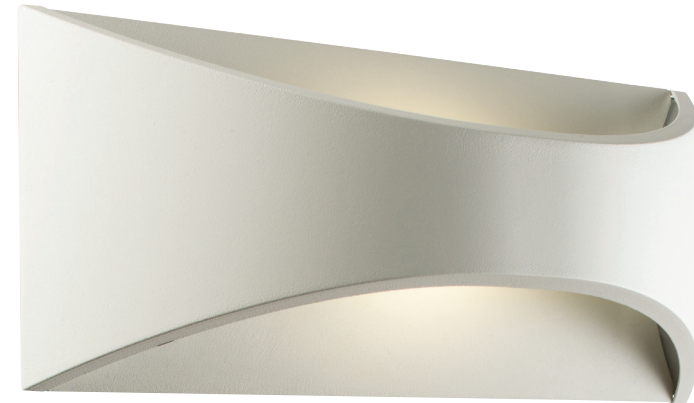


This bulb is protected by a glass shade. This part must be replaced immediately should the glass shade become cracked or damaged. This fitting must not be used without the glass shade in place.

Instruction leaflet

Vulcan Wall

61865, 61866, 64744, 64745



saxby
lighting

Thank you for purchasing this light fitting. Please read the instructions carefully before use to ensure safe and satisfactory operation of this product. Please retain these instructions for future reference.

Warning

This light fitting is Class 1 and must be connected to an Earth circuit

Please read these instructions carefully before commencing any work.

This unit must be fitted by a competent and qualified electrician.

Install in accordance with IEE Wiring regulations and current Building Regulations.

To prevent electrocution switch off at mains supply before installing or maintaining this fitting. Ensure other persons cannot restore the electrical supply without your knowledge. If you are in any doubt, please consult a qualified electrician.

This light fitting should be connected to a circuit with a 30mA RCD fitted.

If replacing an existing fitting, make a careful note of the connections.

This system contains non-replaceable parts and cannot be serviced. If damage occurs the part should be scrapped.

Waste electrical products should not be disposed of with household waste. Please recycle where facilities exist. Check with your local authority or retailer for recycling advice.

This product is rated at IP65.

This product is not suitable for dimming.

This product is not suitable for location in or near a marine or sea environment.

The entire unit gets hot whilst on for a period of time.

Specification

Voltage:	240V 50Hz a.c.
Lamp:	61865/61866: 12W LED Module - 640 lm 64744/64745: 6W LED Module - 250lm
IP rating:	65

Layout

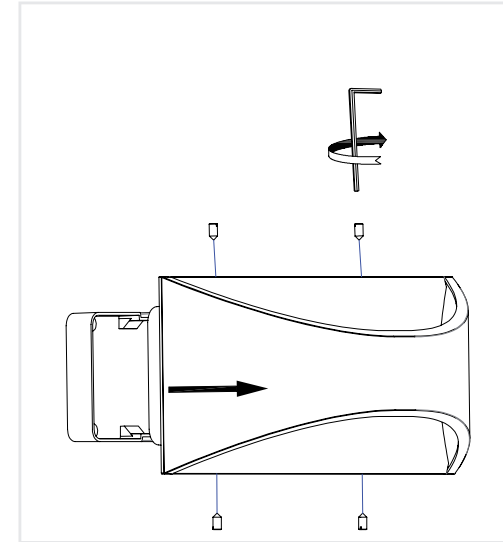
- Plan the desired layout of this fitting carefully, ensuring the cables will reach the distance between the junction box and the light fitting
- Avoid locating any cables in positions that would cause a hazard. Position cables and junction boxes (not supplied) away from areas where they may be at risk from being cut, trapped or damaged
- Cables in walls must be protected using suitable conduit or plastic trunking.
- The mains supply cable must have a minimum cross sectional area of 1.0mm²
- This product has special protection against the ingress of moisture and is IP65 rated.

Installation

Existing fittings must be completely removed before installation of a new product. Before removing the existing fitting, **carefully note the position of each set of wires.**

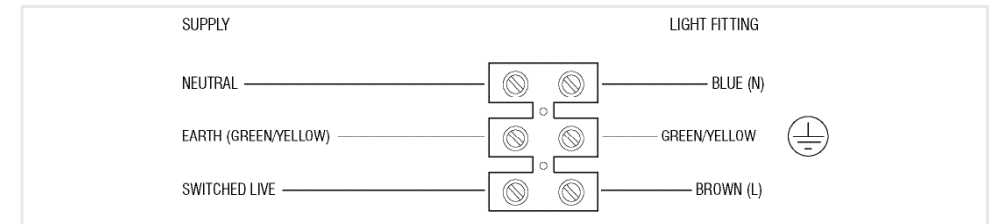
- Undo the allen screws at the top and bottom of the product with the supplied key to separate the shade from the wall back.

- Using the wall back as a template, mark the position of the mounting holes.
- Drill holes and fit supplied wall plugs (suitable for masonry only - for other surfaces use appropriate fixings). Feed the incoming mains supply cable through the grommet entry hole. Fix the wall back to the wall using the supplied fixings.
- Wire as detailed below.



Wiring

Having correctly identified the wiring from your existing light fitting and connect to the connection block inside the product in the following way:



Check that...

- You have correctly identified the wires.
- The connections are tight.
- No loose strands have been left out of the connection block.