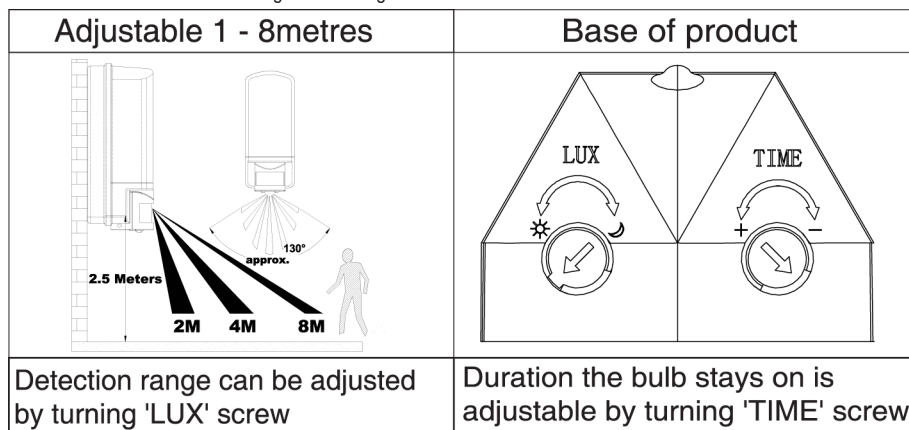


Commissioning

- Refit the shade. Reconnect PIR sensor cable if necessary.
- Replace fuse or circuit breaker and switch on. Your light is now ready for use.

PIR Adjustment

1. The unit must be installed in a vertical position, and fitted 1.8m - 2.5m above the ground.
2. The PIR sensor can be adjusted using the LUX and TIME screws, allowing the detection distance to be altered to suit the location. The detection angle is set at 130 degrees and the maximum detection distance is 8m. The PIR will start activating when the light level drops to 20 LUX and will continue to activate until the light level rises to 2000 LUX. When adjusting the sensitivity (detection distance) in daylight it will be necessary to cover the sensor to simulate night time. When the PIR is activated the light will remain lit for a maximum of 5 minutes. The minimum is 5 seconds.



Fitting/replacing bulbs

- The LED bulbs in this product are non replaceable

We recommend cleaning with a soft dry cloth.

Do not use solvents or abrasive cleaners as these could damage the finish.

Recycling advice



Waste electrical products should not be disposed of with household waste. Please recycle where facilities exist. Check with your Local Authority or retailer for recycling advice.

Safety information

Live Voltages may be present in this unit even when turned off or when completely disconnected. For your safety, always switch off the supply before changing lightbulbs, or cleaning.

Iss.3 09042015

Instruction leaflet


Halbury Wall

54553, 54554



Thank you for purchasing this light fitting. Please read the instructions carefully before use to ensure safe and satisfactory operation of this product. Please retain these instructions for future reference.

Warning

 **This product is Class 2 (Double insulated) and must not be earthed.**

Please read these instructions carefully before commencing any work.

This unit must be fitted by a competent and qualified electrician.

Install in accordance with IEE Wiring regulations and current Building Regulations.

To prevent electrocution switch off at mains supply before installing or maintaining this fitting. Ensure other persons cannot restore the electrical supply without your knowledge. If you are in any doubt, please consult a qualified electrician.

This light fitting should be connected to a circuit with a 30mA RCD fitted.

If replacing an existing fitting, make a careful note of the connections.

This product contains non-replaceable parts and cannot be serviced. If damage occurs the part should be scrapped.

Waste electrical products should not be disposed of with household waste. Please recycle where facilities exist. Check with your local authority or retailer for recycling advice.

This product is rated at IP44.

The entire unit gets hot whilst on for a period of time.

Specification

Voltage: 240V 50Hz a.c.
Lamp: 7W LED module (SMD 5630) Natural White
IP rating: 44

Layout

- Plan the desired layout of this fitting carefully, ensuring the cables will reach the distance between the junction box and the light fitting.
- Avoid locating any cables in positions that would cause a hazard. Position cables and outdoor rated junction boxes (not supplied) away from areas where they may be at risk from being cut, trapped or damaged.
- We recommend that you use H05RN-F specification cable (not supplied) which is an outdoor grade, rubber sheathed cable. The mains supply cable must have a minimum cross sectional area of 1.0mm²
- Cables must be protected using suitable conduit or plastic trunking.

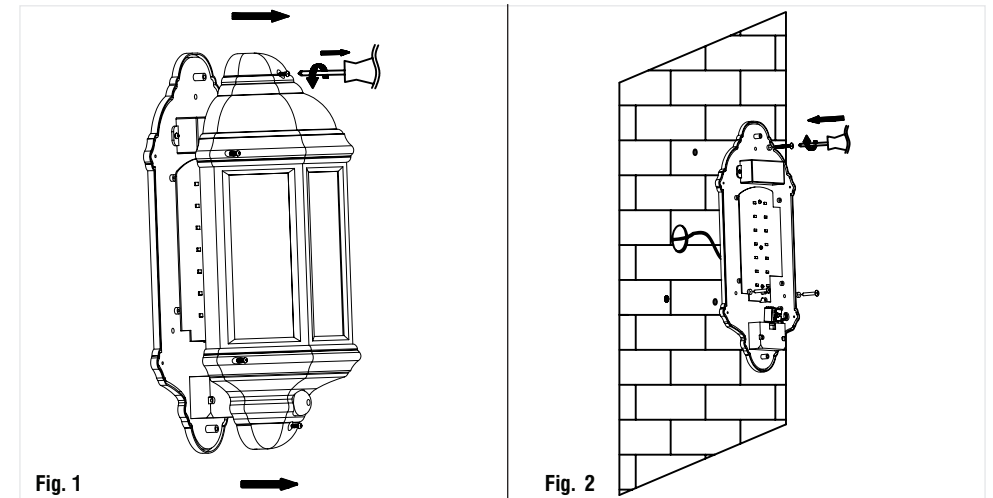
Installation

Existing fittings must be completely removed before installation of a new product. **Before removing the existing fitting, carefully note the position of each set of wires.**

- The help of an assistant is recommended when installing this fitting.
- Remove 6 securing screws to separate shade from wall back. PIR sensor connection cable can be disconnected to make installation easier (see Fig. 1).
- Using the wall back as a template, mark the position of the mounting holes. Drill holes and fit supplied wall plugs (suitable for masonry only - for other

surfaces use appropriate fixings). Feed the incoming mains supply cable through the grommet entry hole. Fix the wall back to the wall using the supplied screws (See Fig. 2).

- Wire as detailed below.



Wiring

This product is double insulated and must not be earthed. If there are any incoming earth cables, they must be joined together and well insulated with good quality insulation tape. This is to ensure earth continuity throughout your property.

Remove the cover from the mains terminals and having correctly identified the wiring from your existing light fitting, connect to the quick fit connection block in the following way:

