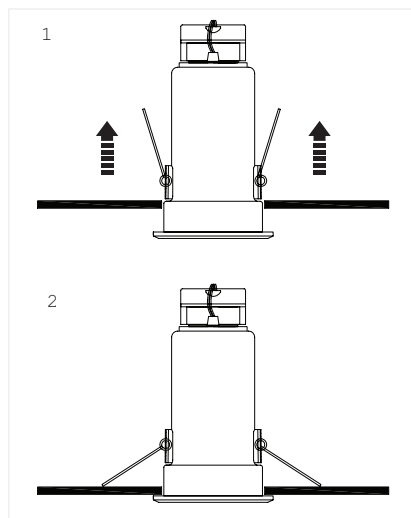


## Commissioning

- The ceiling surface must be flat and smooth to ensure a good fit.
- Push the spring clips upwards and fit the two longer arms into the ceiling hole.
- Push the unit up until firmly in position, ensuring that the cable is not trapped.
- If needed adjust the cable so it does not get snagged.
- Replace fuse or circuit breaker and switch on. Your light is now ready for use.



## Fitting/replacing the bulbs

When changing a bulb, always switch off at the mains and allow the bulb to cool before handling. Dispose of used bulbs carefully. Use a soft cloth to handle bulbs, avoid directly touching the bulbs as this will shorten their life. Do not exceed the wattage stated or use a different shape bulb from that indicated on the fitting. Rotate the bulb anticlockwise to release it from the holder and reverse process to replace the new bulb.



## Care and Cleaning

We recommend cleaning with a soft dry cloth.  
Do not use solvents or abrasive cleaners as these could damage the finish.

## Recycling advice



Waste electrical products should not be disposed of with household waste. Please recycle where facilities exist. Check with your Local Authority or retailer for recycling advice.

## Safety information

For your safety, always switch off the supply before changing lightbulbs, or cleaning.

## Instruction leaflet

# Peake

48869



saxby  
lighting

Thank you for purchasing this light fitting.  
Please read the instructions carefully before use to ensure safe and satisfactory operation of this product.  
Please retain these instructions for future reference.

## Warning

### This is a Class 1 product and must be earthed.

Please read these instructions carefully before commencing any work.

This unit must be fitted by a competent and qualified electrician.

Install in accordance with IEE Wiring regulations and current Building Regulations.

To prevent electrocution switch off at mains supply before installing or maintaining this fitting. Ensure other persons cannot restore the electrical supply without your knowledge.

This light fitting should be connected to a fused circuit.

If replacing an existing fitting, make a careful note of the connections.

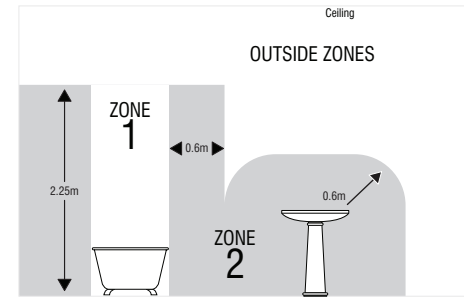
Always use the correct type and wattage bulb. Never exceed the wattage stated.

When changing a bulb, always switch off at the mains and allow the old bulb to cool down before handling.

Dispose of used bulbs carefully and responsibly.

This product is suitable for dimming when used in conjunction with a dimmable lamp. Please ensure verification of dimming abilities with the lamp manufacture prior to use.

Waste electrical products should not be disposed of with household waste. Please recycle where facilities exist. Check with your local authority or retailer for recycling advice.



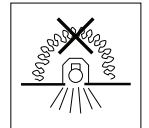
This product has no special protection against the ingress of moisture, and is rated as IP20.  
This product is not suitable for use in Zones 0, 1 or 2, of a bathroom. See diagram.  
**The mains supply must be fitted to a 30mA RCD.**

## Installation

Existing fittings must be completely removed before installation of a new product. Before removing the existing fitting, **carefully note the position of each set of wires.**

- After deciding the layout of the light fittings ensure that the cables are long enough to connect to the desired positions.
- If more than one downlight is to be installed, the distance between units must be no less than 0.5m (50cm).
- Ensure a minimum ceiling void depth of 150mm is available.
- Cut a 75mm mounting hole in the ceiling taking care not to foul any pipes, mains cables or joists beneath the surface.

- It is always recommended to cut the hole slightly smaller than the size specified, and then file the hole until the recessed unit fits snugly.
- Ensure free movement of air around the fitting by removing any roof void insulation from at least 150mm around the hole. **Under no circumstances must these fittings be covered with insulating matting or similar material.**

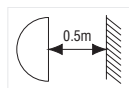


## Specification

Voltage: 240V 50Hz a.c.  
Lamp: All Models - 1 x 50W GU10 Mains Halogen  
IP rating: 20

## Layout

- Plan the desired layout of this fitting carefully, ensuring the cables will reach the distance between the junction box and the light fitting.
- Avoid locating any cables in positions that would cause a hazard. Position cables and junction boxes away from areas where they may be at risk from being cut, trapped or damaged.
- The mains supply cable must have a minimum cross sectional area of 1.0mm<sup>2</sup>.
- Cables in walls must be protected using suitable conduit or plastic trunking.



Spotlights give a concentrated beam of light and must not be positioned any closer than 0.5M (50cm) to the illuminated surface.

## Wiring

Having correctly identified the wiring from your existing light fitting, pull the wire through the hole in the ceiling. Remove the cover from the terminal block. Connect to the terminal block as shown below. Push the lever down to allow the wire to be pushed in.

## Check that...

- You have correctly identified the wires.
- The connections are tight.
- No loose strands have been left out of the connection block.

