

# BURLINGTON



See page 57

The Burlington is the preferred choice for traditionally styled, new build or refurbished properties. The Burlington is supplied assembled ready for installation and can be finished in many RAL or BS colours, see page 57.



Shown here in Dark Olive Brown primer finish

## Colour Options

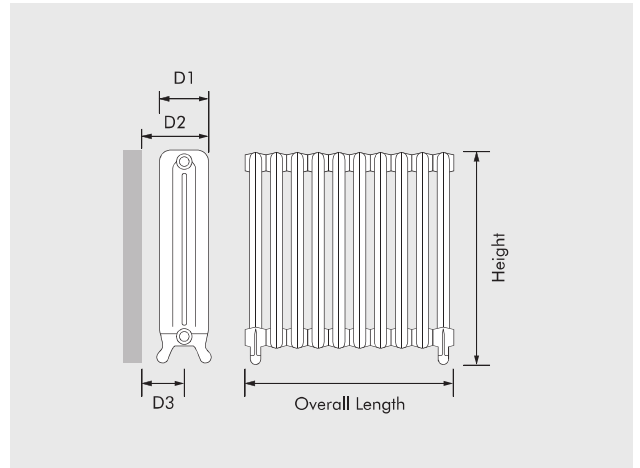
MHS offers a high quality full painting service utilising the full RAL & BS colour ranges that includes some metallic, textured and specialised finishes at £15 per section. Some specialist finishes may also carry an additional mixing charge.

Please refer to the MHS colour chart on page 57, however many more colours are available on request.

**Note: Primer finish is Dark Olive Brown (Standard Supply)**

All information is per section

Model / Code	BUR 0838-B
<b>Primer Finish</b>	<b>£98.00</b>
<b>MHS Standard Colours</b>	<b>£113.00</b>
<b>Hand Polished Finish</b>	<b>£163.00</b>
Height (mm)	840
Output (Watts @ Δt 50°C)	136.1
Depth (mm) - <b>D1</b>	214
Depth (Wall To Face) (mm) - <b>D2</b>	246 or 256
Pipe Centres From Wall (mm) - <b>D3</b>	139 or 149
Width (mm)	76
Dry Weight (Kg)	12.2
Water Content (Ltrs)	2.9
Max No. Factory Built Sections	15



- How To Order:**
1. Divide your rooms required heat loss by 136.1
  2. Round this figure up and it will tell you how many sections are required (eg 15.66 would equal 16 sections)
  3. Calculate the overall length using the formula below to make sure it fits the space
  4. Calculate the price by multiplying the section cost in the chart above by the number of sections required
  5. Should a factory painted colour version also be desired, please note the colour on the order
  6. Should the radiator be over our maximum assembled size, a joining key must also be ordered on a Sale / Return basis. (Return cost is clients responsibility)
  7. Place the order. Please state if a wall mounted version is required as floor versions are supplied as standard

Electric Models - (Set Sizes Only)

Model / Code	BUR 0838-B-08E	BUR 0838-B-10E
<b>Primer Finish</b>	<b>£1,114.00</b>	<b>£1,310.00</b>
<b>Painted Finish</b>	<b>£1,234.00</b>	<b>£1,460.00</b>
<b>Hand Polished Finish</b>	<b>£1,634.00</b>	<b>£1,960.00</b>
Height (mm)	840	840
Length (mm)	632	784
No. Sections	8	10
Depth (mm) D1	214	214
Depth - (Wall To Face) D2	246 or 256	246 or 256
Output (Watts)	1200	1500
Weight (Kg's)	121	151

Joining Key

Model / Code	ZXTOOL-02
Burlington Joining Key	<b>£160</b>

We will always strive to keep on-site assembly to a minimum but for radiators larger than the maximum factory assembled size (see charts above) on-site assembly will be required. Full instructions and parts will be supplied although a joining key tool will need to be purchased (see above) separately on a sale/return basis.

Overall lengths equal No. Sections x 76mm plus 24mm (For reducing bushes)  
 Example - 20 Section Radiator:  
 20 x 76mm + 24mm = 1544mm Total Length

Electrical components carry a two year warranty. Electric only versions may extend delivery availability.

**Mounting Options:** Burlington is supplied as standard with feet and all fixings / ties included in the price. Should you require the wall mounted only version this must be stated when ordering. Valves are not included and must be ordered separately.

**Feet Positions:**

- Up to 20 sections - 2 Feet, one at each end
- Odd numbers (21-39 sections) - 3 Feet, one at each end and one centrally
- Even numbers (22-40 sections) - 4 Feet, one at each end and two evenly spaced

**No. brackets with wall mounted option:**

- Up to 17 Sections - 4 Brackets
- 18-31 Sections - 6 Brackets
- 31-40 Sections - 8 Brackets

Complementary Accessories:

Refer to pages 52 - 55

**Chartwell**



**Kentwell**

