

INSTRUCTION MANUAL

Safety Warnings

These products are only suitable for connection to a 240V~50Hz supply.

It is recommended that these floor standing lights are installed by a qualified electrician in accordance with current IEE Wiring Regulations and local Building Regulations and are for the Domestic environment only. These light fittings should be connected to a lighting circuit protected by a 5 amp fuse (or a 6 amp miniature circuit breaker).

These lights have an IP44 (splash proof) rating suitable for use outdoors.

Run supply wire from a 5-amp electrical supply using double insulated 3-core cable of type H05RN-F 1.0mm² (not supplied) to selected site, ensuring it is adequately protected through the full length of the cable run, it must come out of the mounting surface in line with the entry to the fitting and should be at least 250mm in length.

Except where installed in a conduit or duct, which provides equivalent protection against mechanical damage, a cable buried in the ground shall incorporate an earthed armour or metal sheath or both, suitable for use as a protective conductor, or be of insulated concentric construction. Buried cables shall be marked by cable covers or a suitable marking tape. Buried conduits and ducts shall be suitably identified. Buried cables, conduits and ducts shall be at a sufficient depth to avoid being damaged by any reasonably foreseeable disturbance of the ground.

This product contains breakable parts – be careful during handling and maintenance to avoid breakage. The shade can become hot in use. Switch off and allow 10 minutes to cool before cleaning.

If any part of the bulb housing is broken or cracked then it must be replaced immediately to preserve the water ingress protection, please consult your retailer. This is represented by the symbol



These products contain breakable parts – be careful during handling and maintenance to avoid breakage. **IMPORTANT:** To achieve maximum corrosion resistance the surface of the Stainless Steel must be kept clean. Surface contamination and the formation of deposits are critical factors which may lead to drastically reduced life. An example is salt deposits from marine conditions. Careful washing with soap or a mild detergent and warm water followed by a clean water rinse and finally wiping dry is usually adequate for most S/S items used in the domestic environment. Care must be taken to turn off the mains supply until the cleaning process has been completed and the fitting is completely dry.

If any modification is made it will invalidate the warranty and may render the products unsafe.

Before you start

Please read these instructions carefully before fitting your new light and retain for reference.

Switch off the mains supply and remove the appropriate fuse or switch off the appropriate circuit breaker before commencing installation.

Ensure that no one else has access that would enable the supply to be inadvertently reconnected.

Ensure that there are no cables / pipes beneath the surface (other than the supply cable for this fitting).

The mounting surface must be secure and able to accommodate the weight / height of the fitting. If installing on an existing secure (concrete) base, use the holes in the post base as a template to drill suitable fixing holes and prepare with suitable ground fixing bolts (not supplied). The supply cable (at least 250mm) must come out of the mounting surface and directly into the terminal block in the base/post of the fitting.

Check the packaging and make sure that you have all the required parts.

Follow each assembly step in order to prevent incorrect assembly

Make sure all screws / nuts, including electrical connections etc are fully tightened before use.

This type of Light Fitting may be connected to a Dimmer if a Tungsten incandescent bulb is used. If a CFL type bulb is fitted then these cannot (generally) be controlled by a dimmer.

The Light pack contains:

IP44 rated floor standing light.

The following tools may be required:

Selection of cross and flat head screwdrivers.

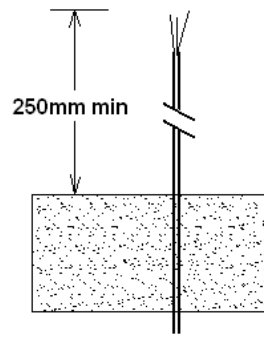
Electric drill and assorted drill bits.

Wire strippers.

Electrical insulation tape.

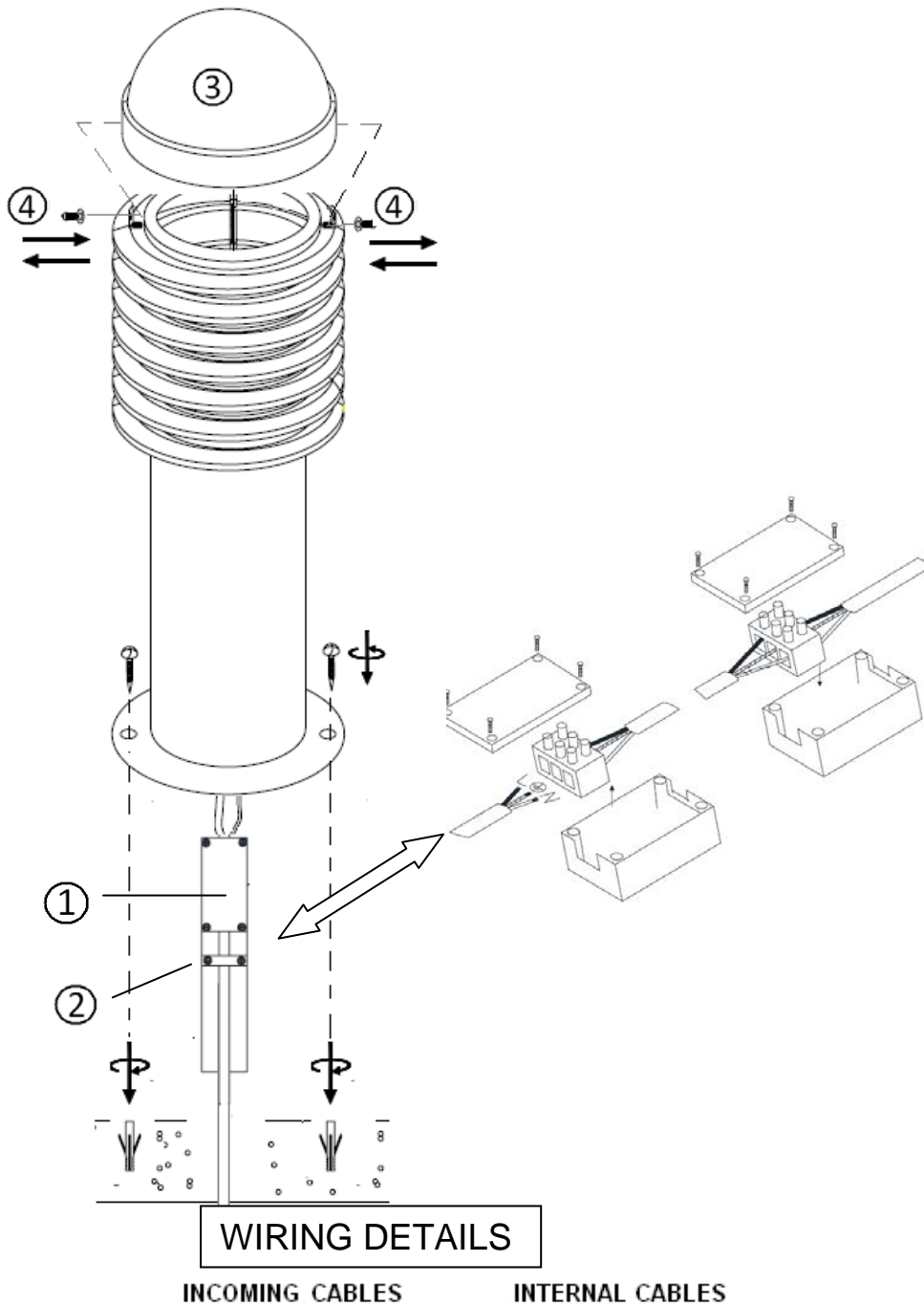
These assembly diagrams are intended as a guide – if in doubt consult a qualified electrician.

Diagram A



1. **Diagram A.** Determine the position of your light fitting. Ensure there is sufficient power cable to connect to the fitting – we recommend at least 250mm. Ensure that the mounting surface is solid. If you are using anchor bolts (not supplied) prepare the mounting surface as appropriate (and ensure that there are no other cables or pipes beneath the surface).

Diagram B



2. Place the base over the cable and use it as a template to mark the mounting hole positions. Drill and plug the holes ready to mount the fitting later.
3. **Diagram B.** Pull the terminal block assembly (1) out of the base of the fitting. Remove the cable clamp and take the lid off the terminal block housing to expose the internal terminal block.
4. Connect the house wiring to the internal terminal block. **NOTE: This is a Class I fitting and must be earthed.** Connect the incoming mains as per the **WIRING DETAILS** diagram
5. Re-fit the terminal block into its housing and secure – ensuring that all seals are correctly located.
6. Secure the cable clamp (2) over the incoming cable and then push the terminal block assembly as far into the base / stem as possible.
7. Secure the post (screws / bolts etc not supplied) to the mounting surface making sure that all cables are contained inside the fitting.
8. Remove the lid (3) by removing the 2 x screws (4). Fit the bulb – type given on product label. Re-fit the lid

9. Turn on the power and test.

