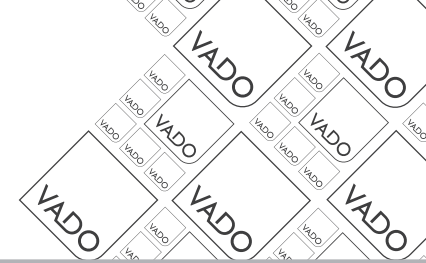




where inspiration flows

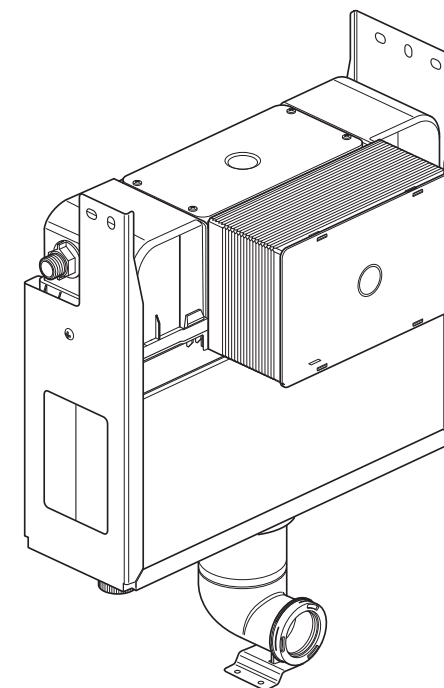
WATERGAMES

Installation Guide
Short frameless wall hung cistern



This instruction booklet covers these models:
WG-095S-C

WG-095S-C



Vado
Wedmore Road, Cheddar, Somerset, England BS27 3EB
tel 01934 744466 fax 01934 744345
aftersales@vado.com
www.vado.com



Important - please read

VADO reserves the right to make technical improvements and enhance the appearance of the products included in this instruction manual.

Please read these instructions carefully before starting installation and keep for future reference.

Remove all packaging and check the product for missing parts or damage before starting installation.

Any alterations made to this product and fittings may infringe water regulations and will invalidate the guarantee.

The installation must comply with all Local/National Water Supply Authority Regulations/Byelaws and Building and Plumbing Regulations.

To be installed in accordance with BS EN806.

We strongly recommend that you use a qualified and registered plumber.

General Care and Safety

Wall plugs supplied are ONLY suitable for solid stone/brick walls. They are not suitable for use in aerated blocks or similar. If fixing to a stud wall, sufficient extra internal reinforcements must be made to the wall. Screws must locate into suitably reinforced studs and noggins.

Take care using power tools - The use of a residual current device (RCD) is recommended. Beware of hidden cables or pipes when drilling.

This product can be dangerous if installed incorrectly. This product must be installed by a qualified plumber or installer. It is the installer's responsibility to check that the fixings are suitable for the installation in hand.

Cistern fittings are suitable for Water pressure: 0.2 - 10 bar. Do not add caustic chemical substances (eg containing chlorine compounds or similar into the cistern. These can damage the valve components and cause failure.

Before starting to enclose the frame, the system must be first tested for leaks before 2nd fix commences. Using the help of a second person to hold the pan in place on the frame, turn on the water supply and flush the pan to check for leaks.

When installed, the fitting must comply with the requirements of the Water Supply (Water Fittings) Regulations 1999 and Scottish Byelaws 2004.

For further information, contact the Water Regulations department of your local water supplier (see the WRAS website www.wras.co.uk for details) or the Water Regulations Advisory Scheme by email (info@wras.co.uk) or telephone: 01495848454.

Please take great care when installing this product not to damage its surface.

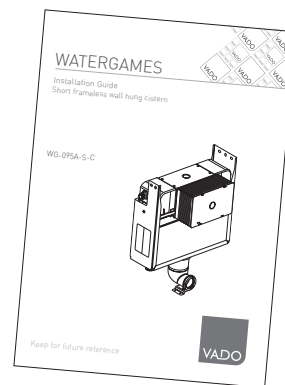
Please note if installing in an enclosed environment, access should be left for servicing and maintenance. No costs relating to inadequate access can be accepted.

Further information

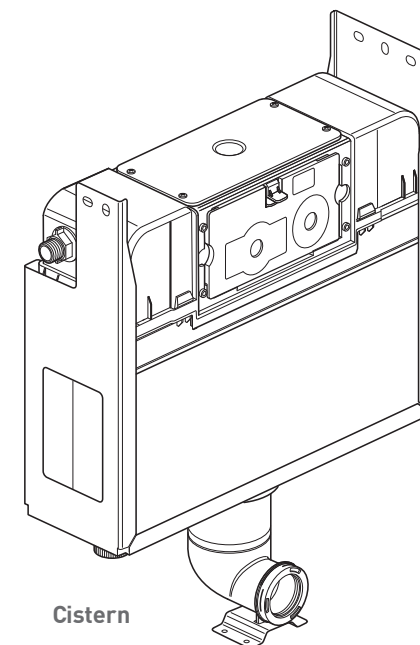


For instructions on how to side-mount the product, spares and guarantee information please visit our website at <https://www.vado.com/sites/default/files/flush-cisterns-install-instructions.pdf> or by scanning the QR code:

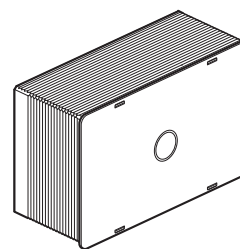
Dimensions - toilet connection



Installation guide &
User manual



Cistern



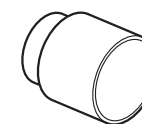
Install box



Coach screws x 3

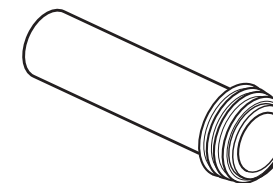


Screws x 4

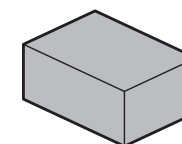


Inlet mortar guard

Toilet Connection Kit

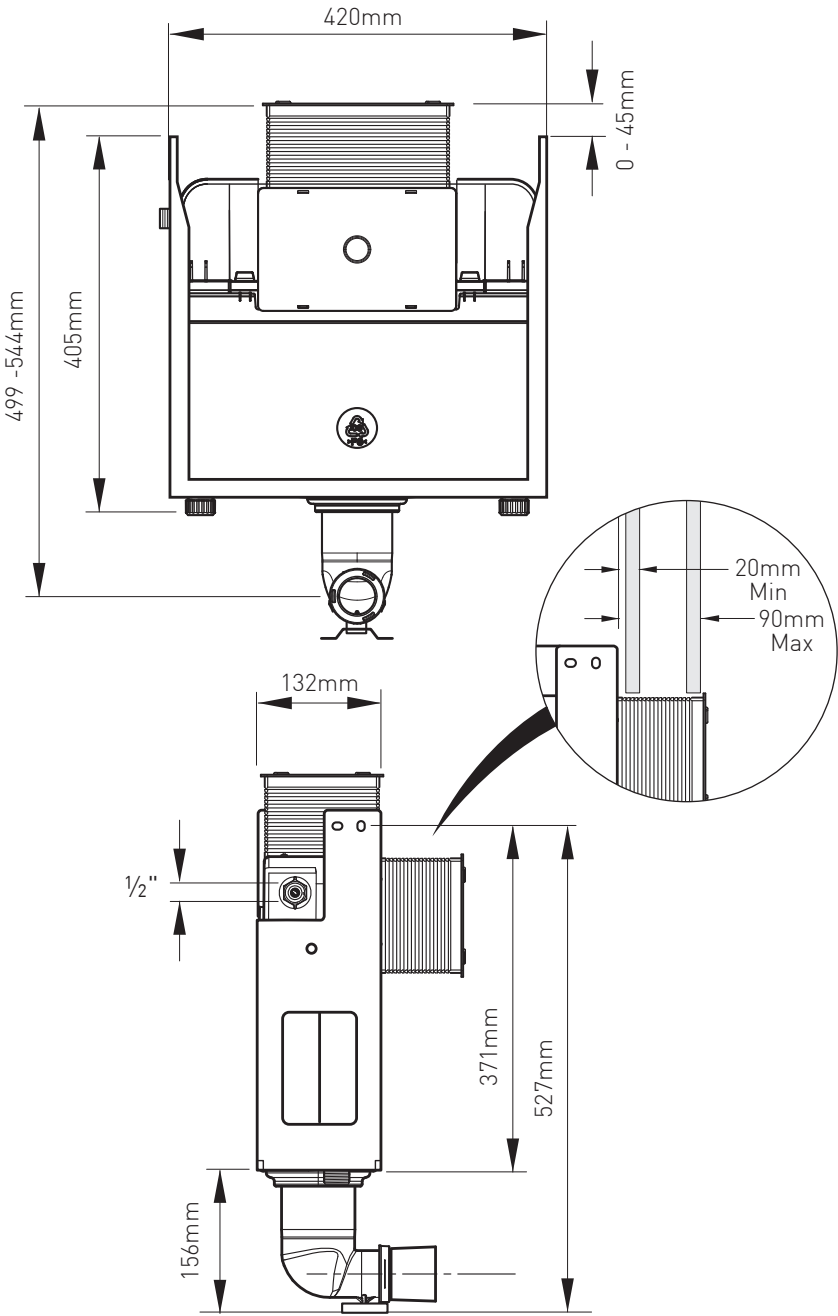


Inlet pipe

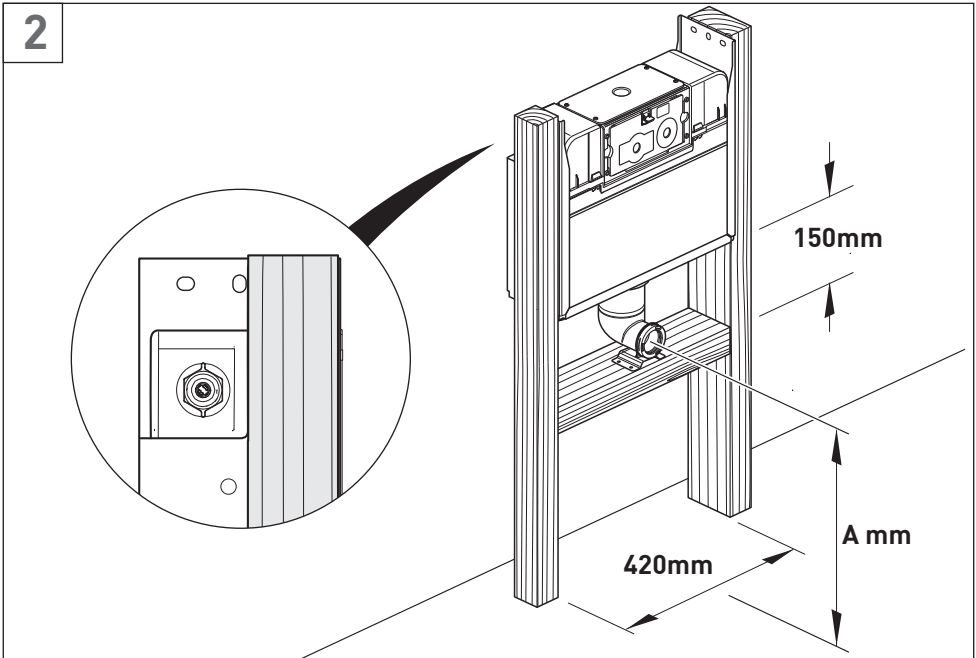
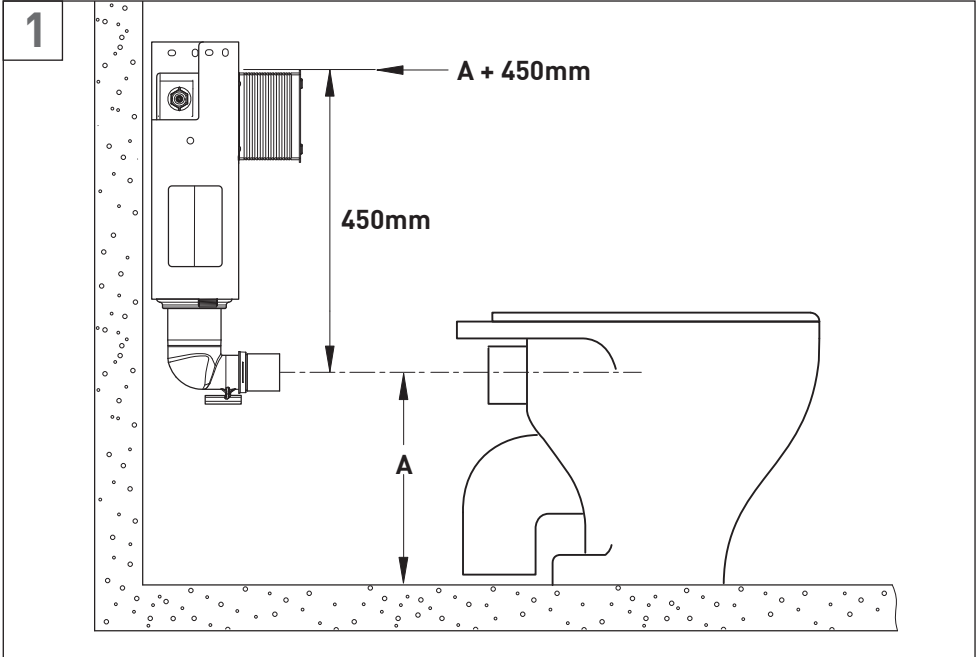


Lubricating Sponge

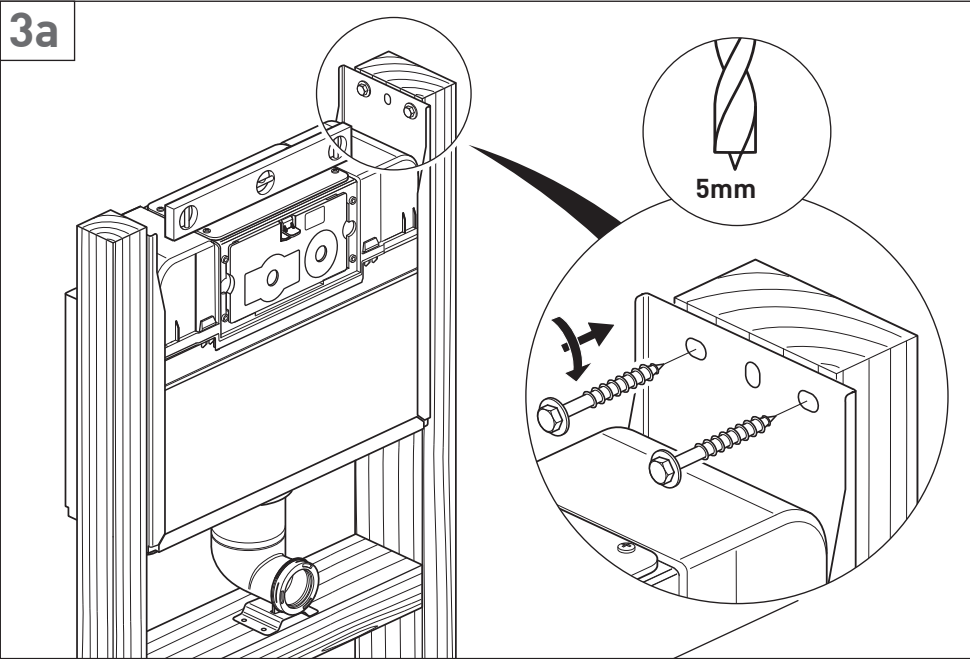
Dimensions



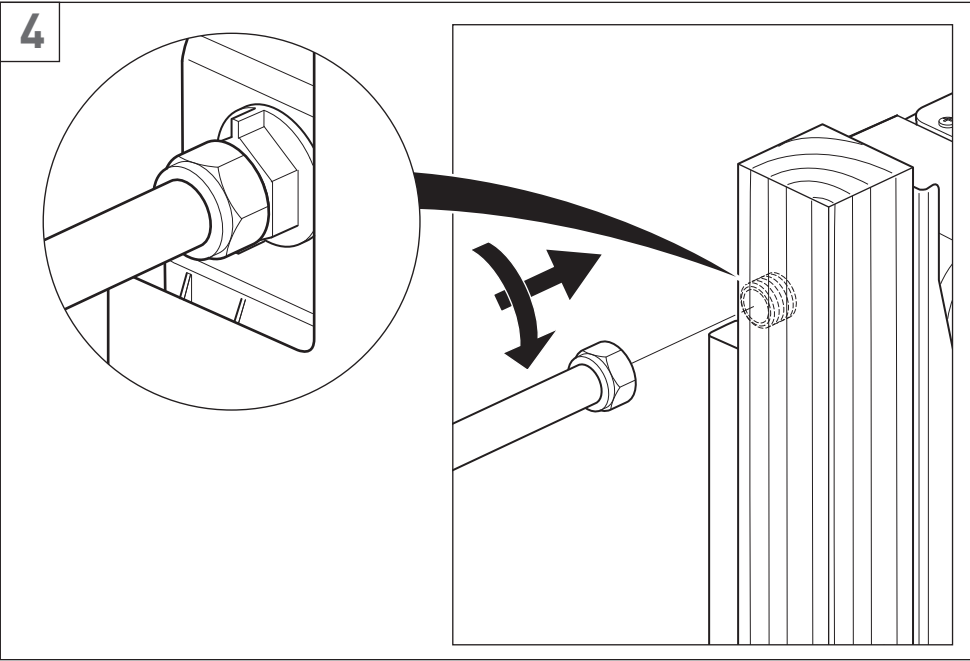
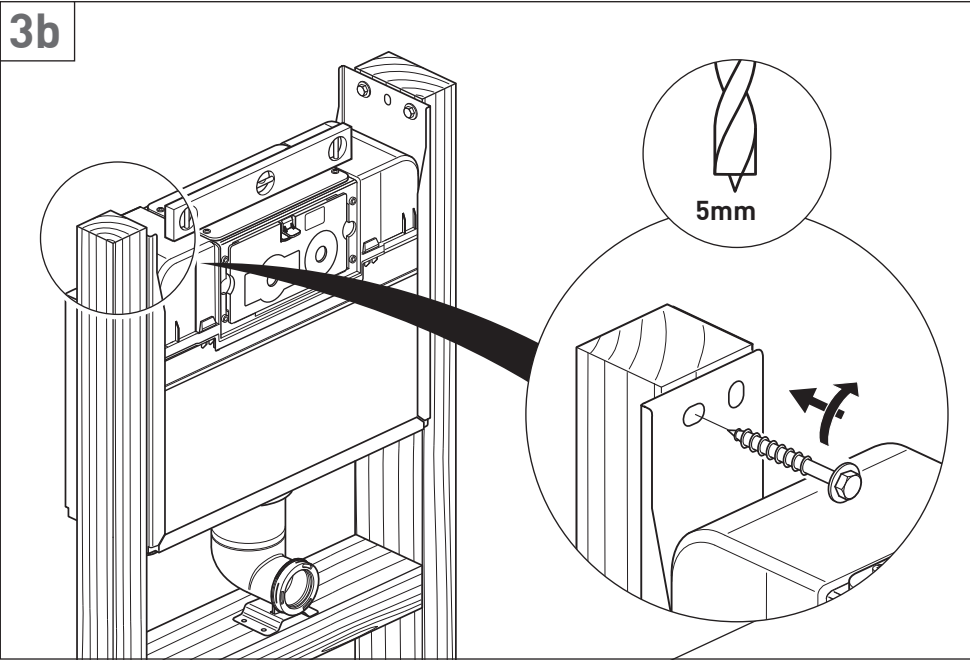
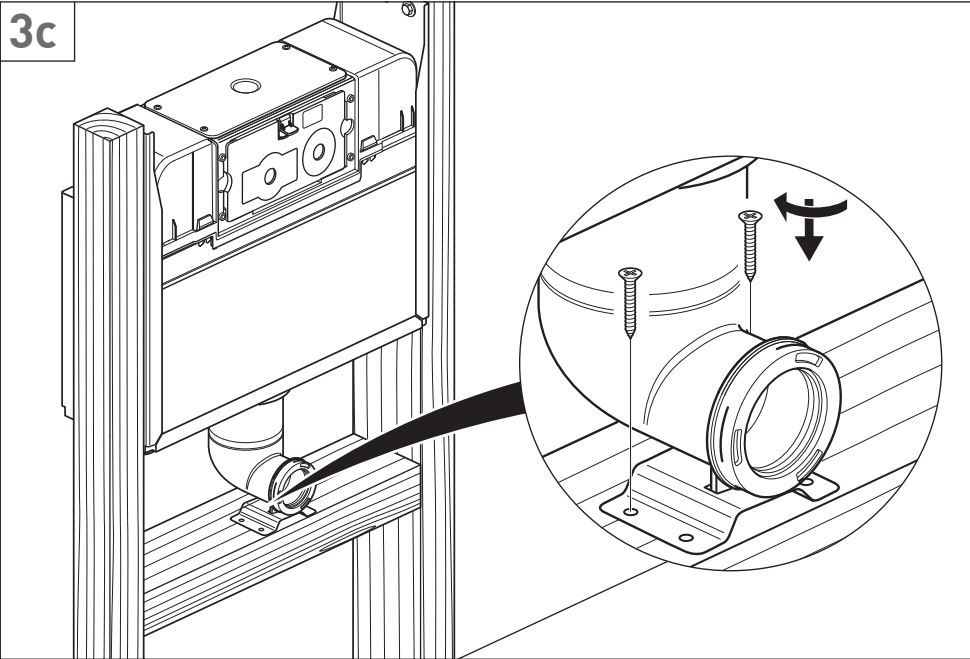
Installation



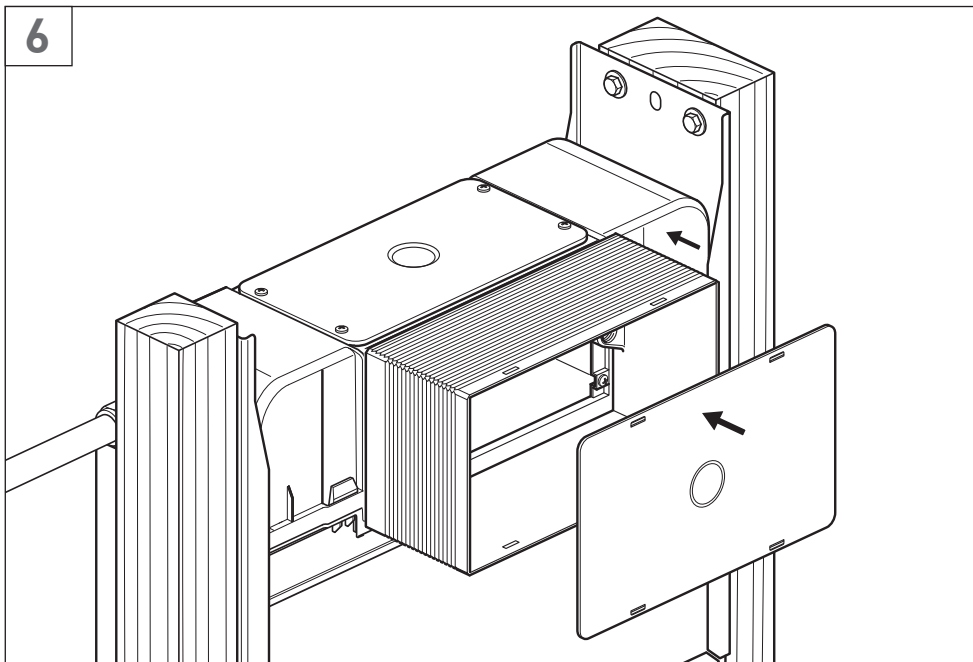
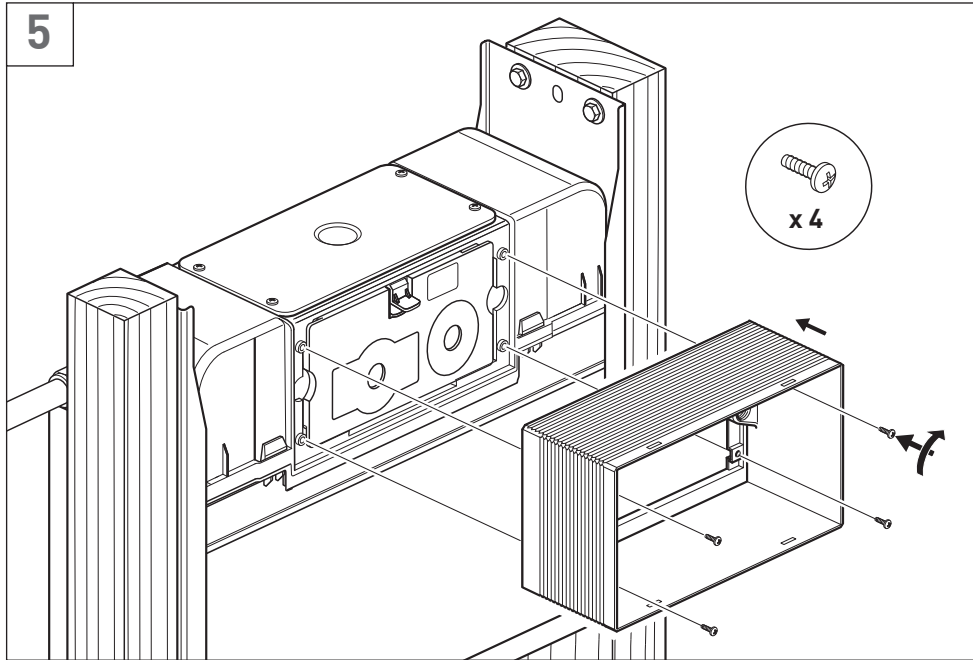
Installation



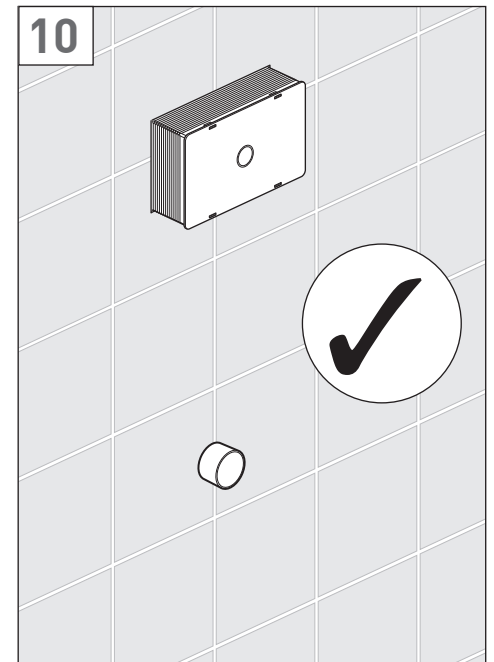
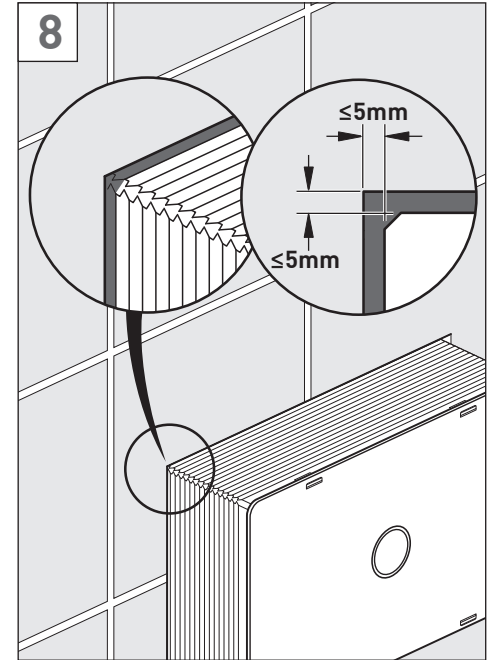
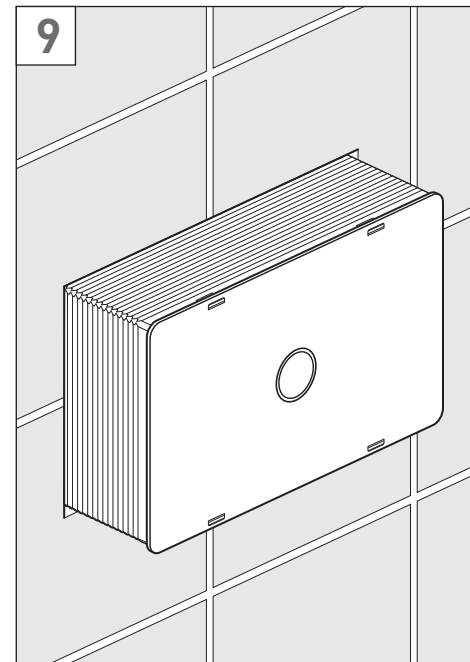
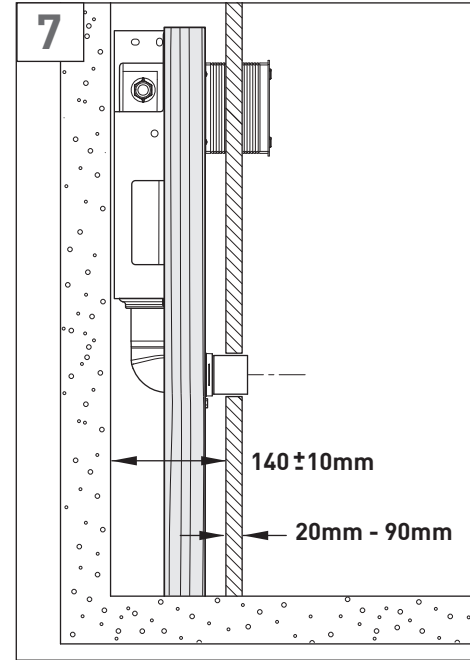
Installation



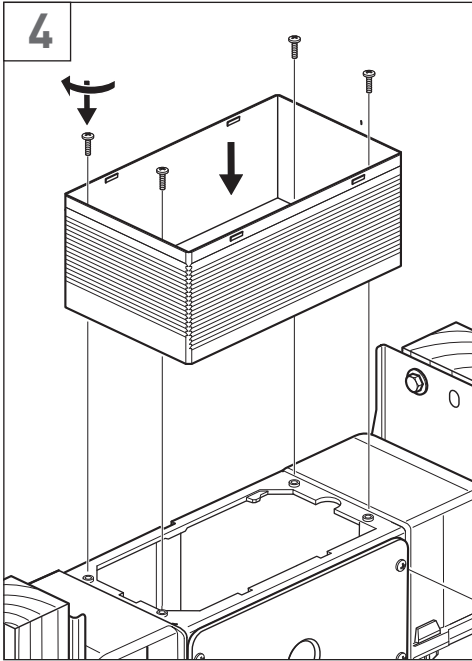
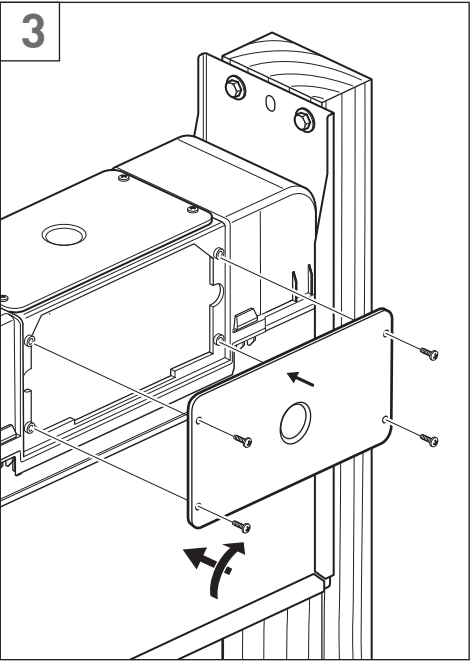
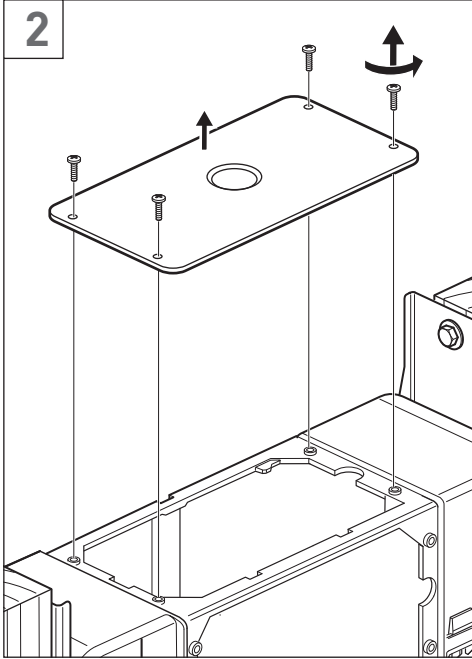
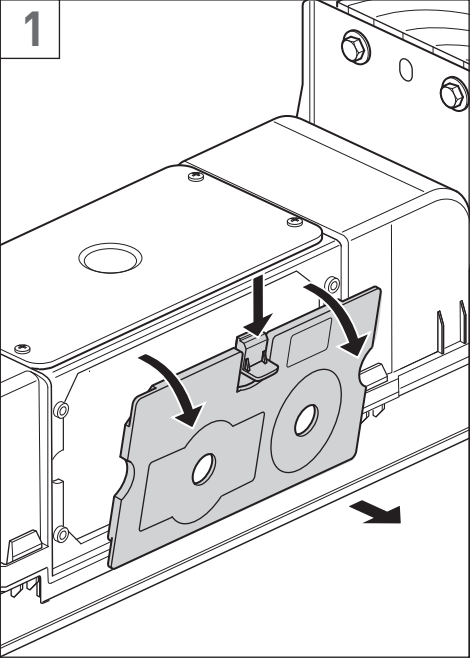
Installation



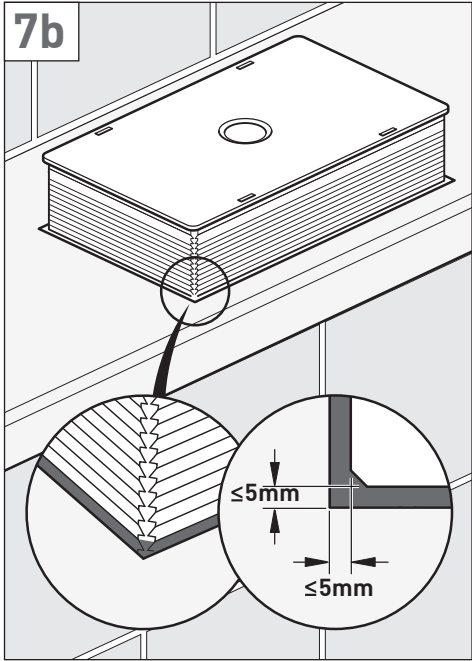
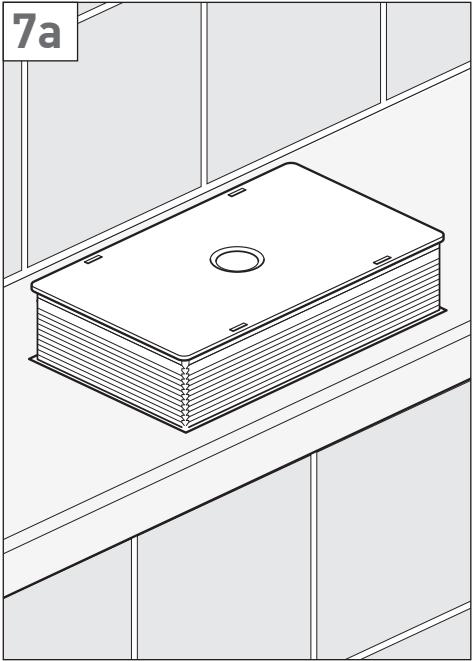
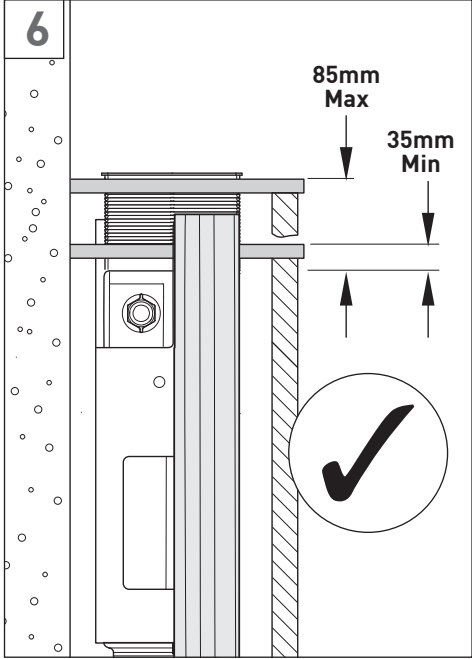
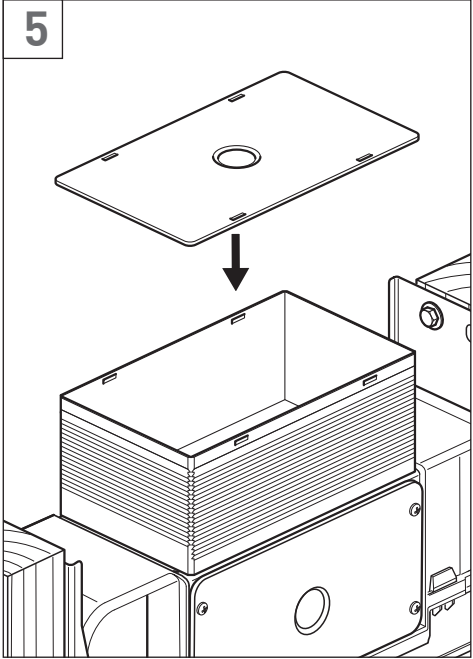
Installation



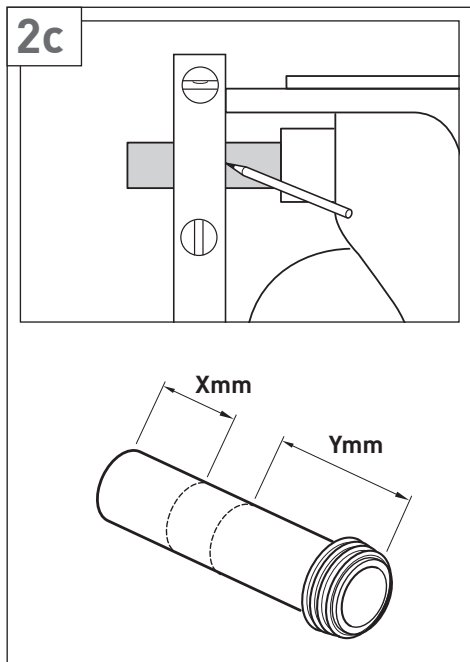
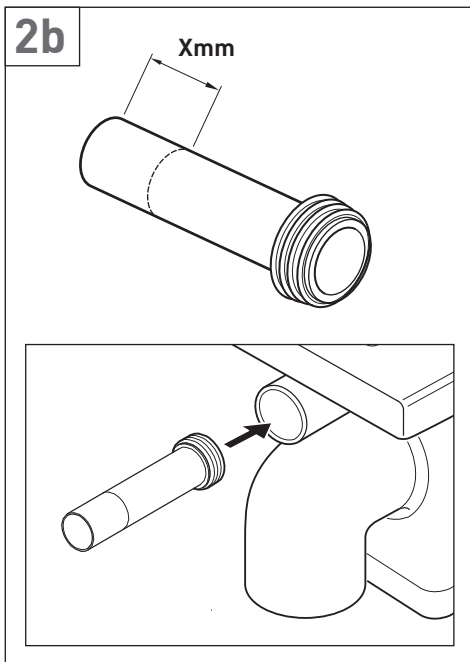
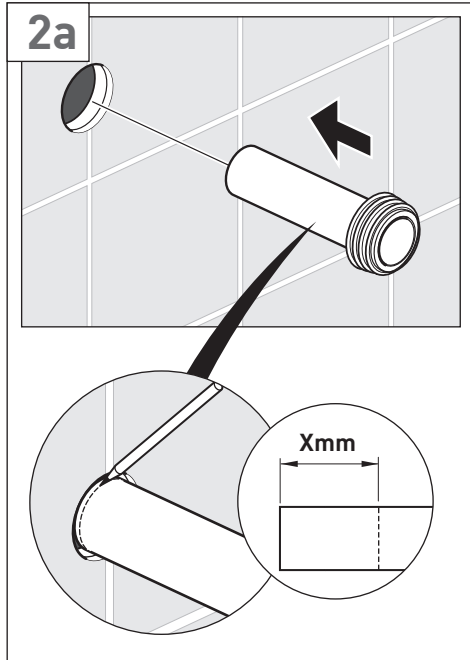
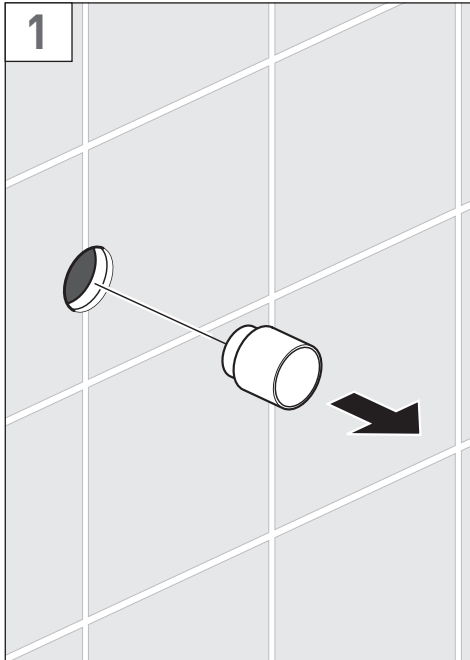
Installation for top plate



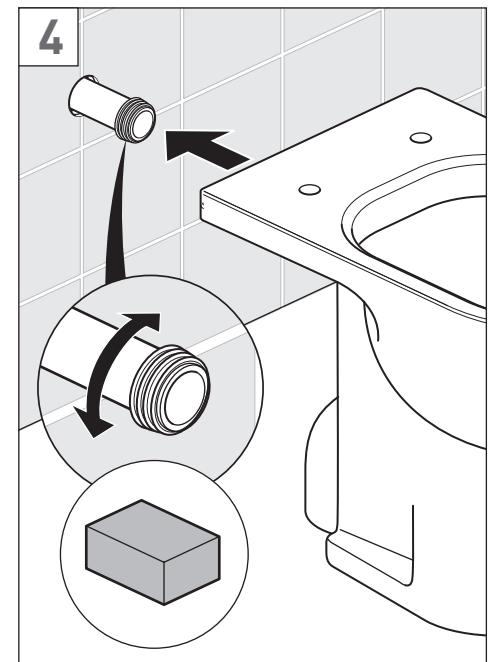
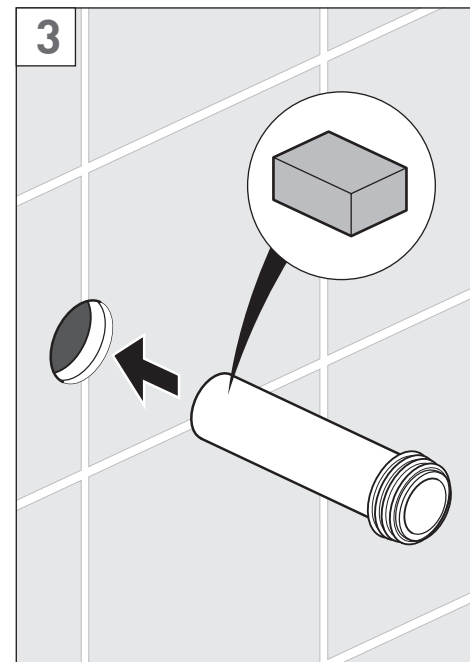
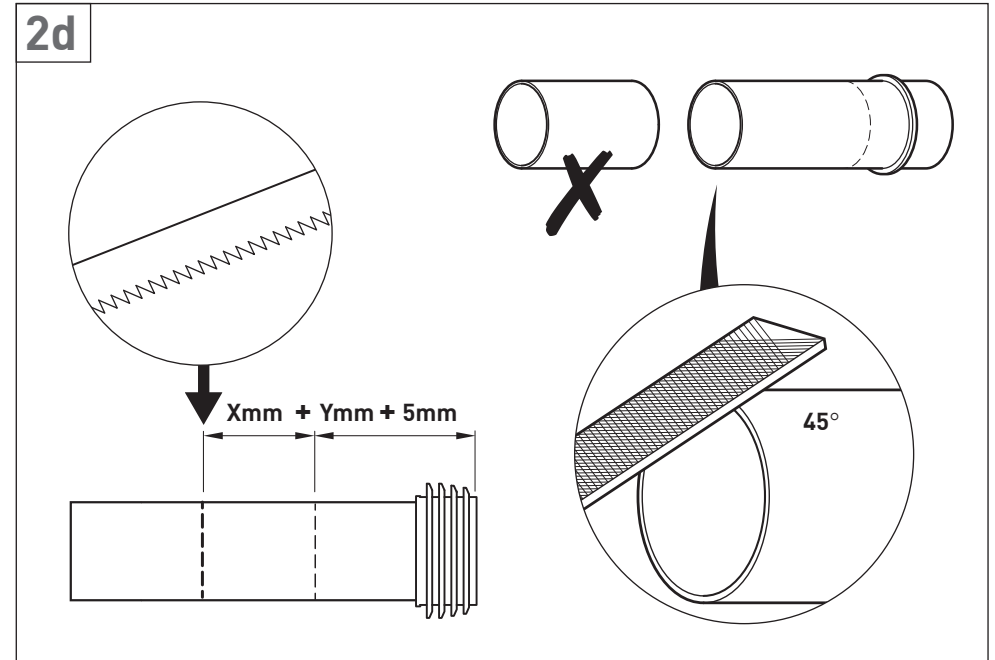
Installation for top plate



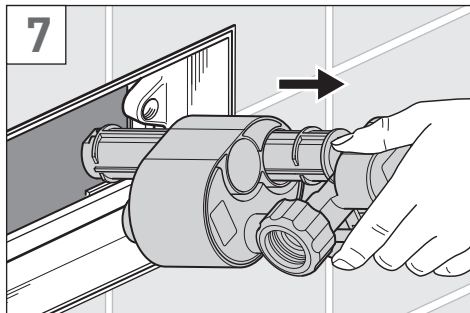
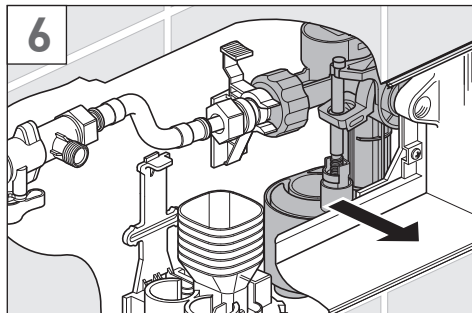
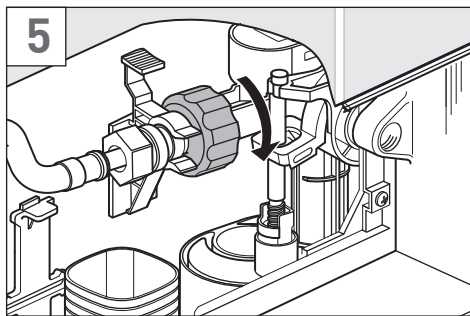
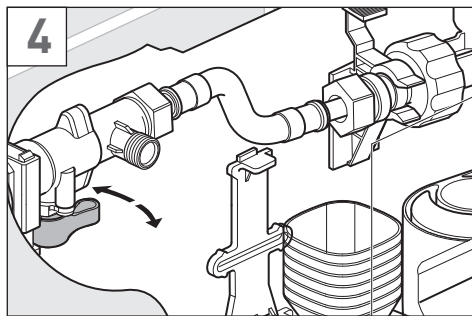
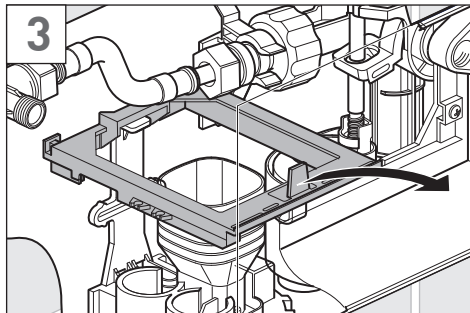
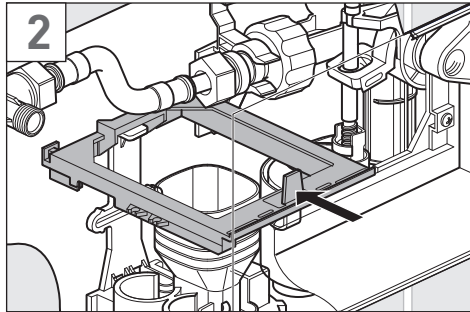
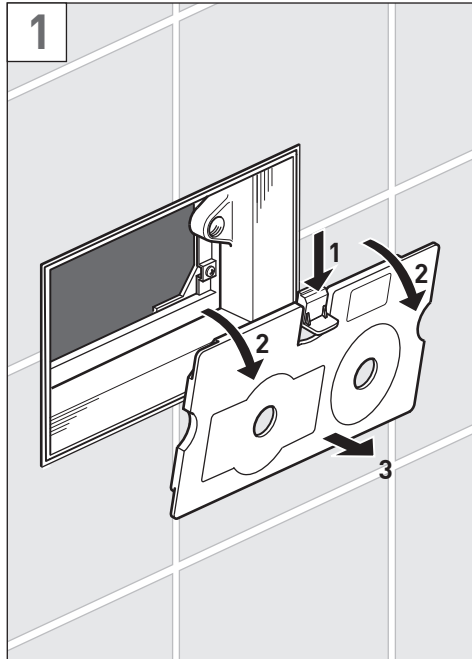
Installation - toilet connection



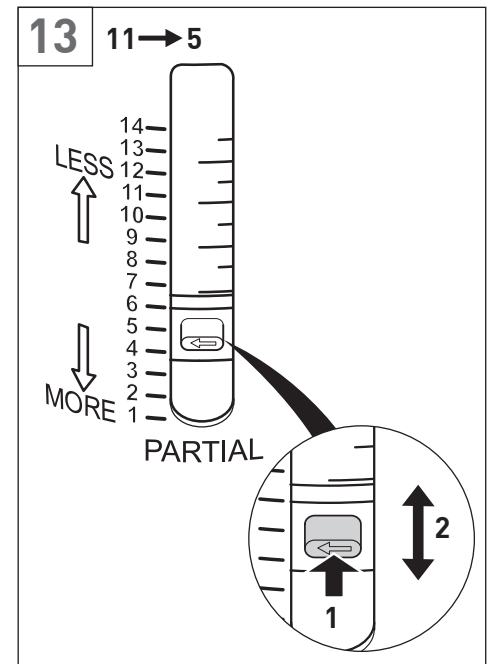
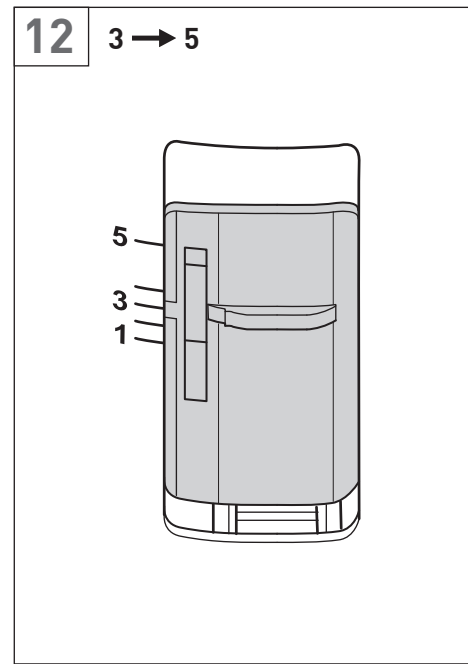
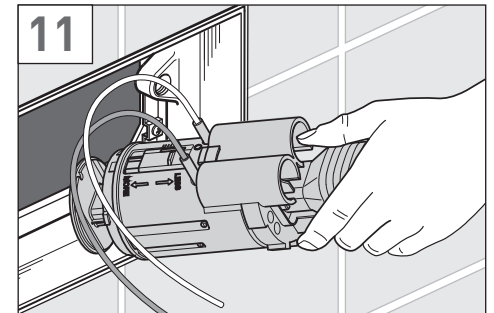
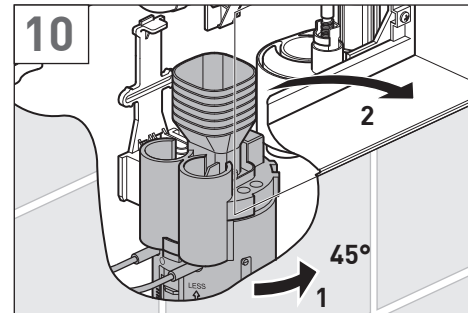
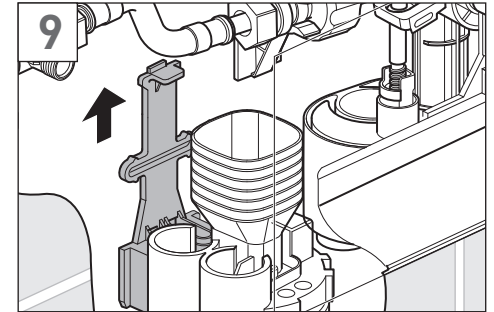
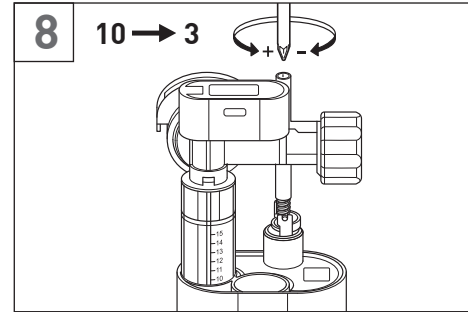
Installation - toilet connection



Flow Adjustment (6/3 Litres ----> 4/2.6 Litres)



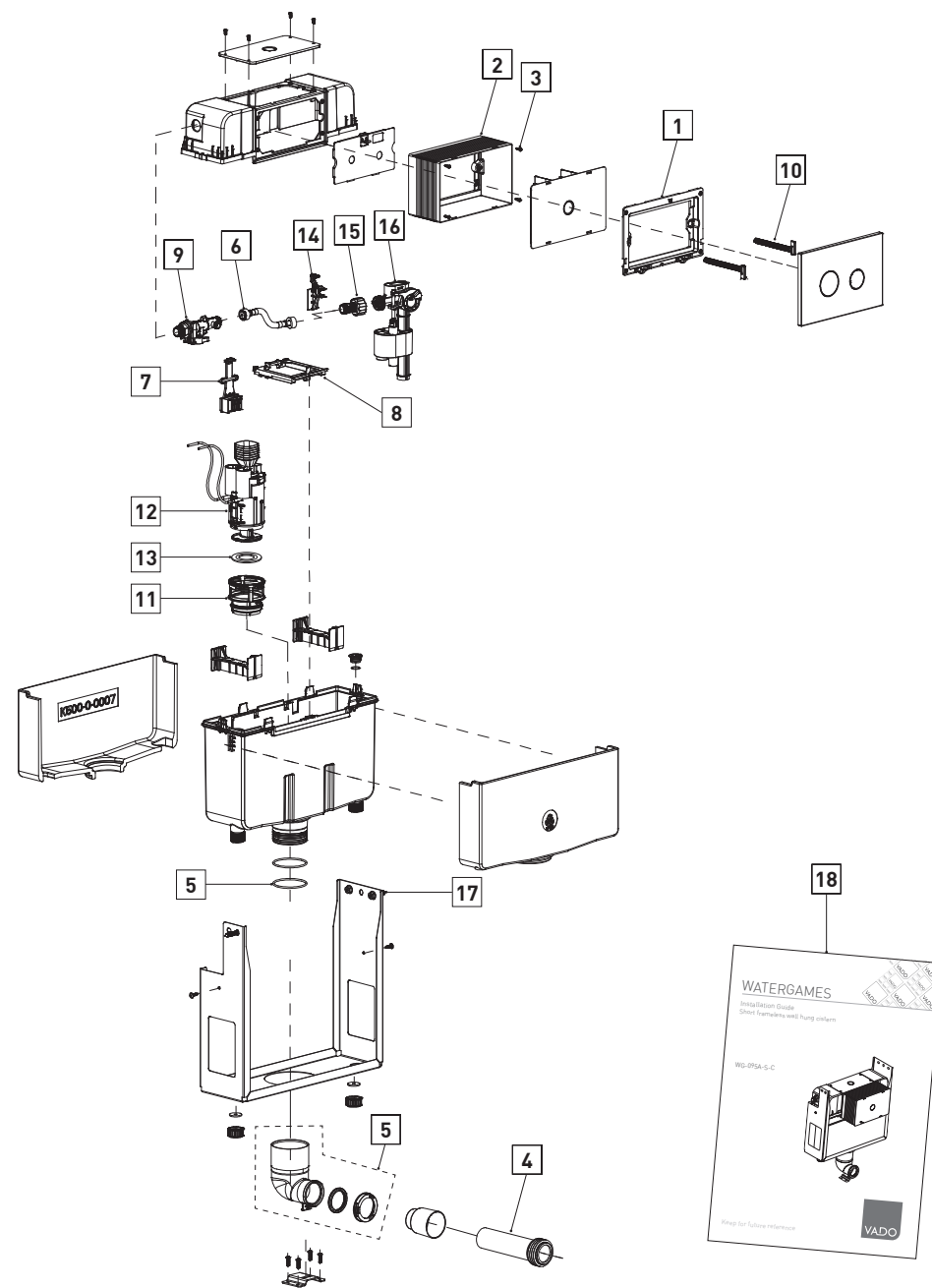
Flow Adjustment (6/3 Litres ----> 4/2.6 Litres)



Parts list:

Item	Part	Code	Qty
1	Faceplate bracket	WG-095-02	1
2	Short access install box	WG-095-07	1
3	Install box screw set	WG-095-08	1
4	Flush pipe	WG-095-09	1
5	Short flush bend pipe	WG-095-11	1
6	Twist 1/2 female x 1/2 female 167mm anti-corrosion hose	T-1/2X1/2-AC167K-TWT	1
7	Short flush valve bracket 1	WG-095-13	1
8	Short flush valve bracket 2	WG-095-15	1
9	Short inlet connection with filter & ball valve	WG-095-17	1
10	Plate connecting rods	WG-095-18	1
11	Short flush valve base	WG-095-20	1
12	Short flush valve	WG-095-22	1
13	Short Flush valve gasket	WG-095-24	1
14	Short inlet bracket	WG-095-27	1
15	Short inlet connection	WG-095-28	1
16	Fill valve	WG-095-36	1
17	Self- tapping screw	WG-095-34	1
18	Manuals	Installation Guide & User Manual	1

Parts:



Notes:

Notes: