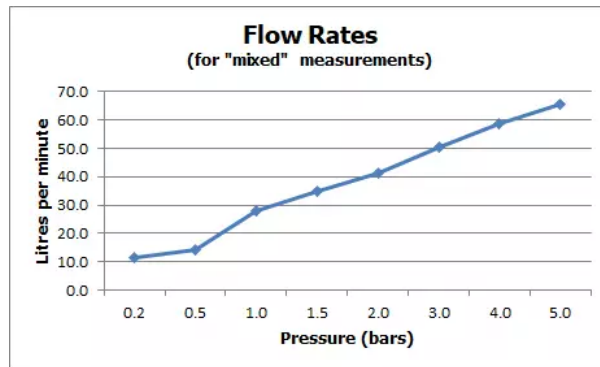


# SPECIFICATION SHEET

COLLECTION: ELEMENTS  
PRODUCT CODE: ELW-135/NH-CP



## TAP TYPE

Bath Filler

## WITH WATER FLOW STRAIGHTENER

Yes

## WITH SWIVEL SPOUT

with Fixed Spout

## CONNECTIONS / FITTINGS

2 x 3/4" x 3/4" 600mm flexipipe connections 3/4" male inlet connections

## SPARE PARTS

cold ceramic cartridge C-303-RTC hot ceramic cartridge C-303-LTC

## DECK HOLE DRILL DIAMETER

Valve: 35mm Spout: 30mm

## HOLES

3 Hole

## MOUNTING

Deck Mounted

## PLUMBING SYSTEM SUITABILITY

Pumped System, Combination Boiler, Pressurised System

tel: 01934 744466  
email: sales@vado.com  
www.vado.com

WHERE INSPIRATION FLOWS  
TAPS | SHOWERS | ACCESSORIES



# SPECIFICATION SHEET

COLLECTION: ELEMENTS  
PRODUCT CODE: ELW-135/NH-CP

## COLLECTION NAME

Elements

## FINISH

Chrome

## MAXIMUM OPERATING PRESSURE

5.0 Bar LP

## MINIMUM OPERATING PRESSURE

1.0 Bar MP

## GUARANTEE

15 Year Guarantee

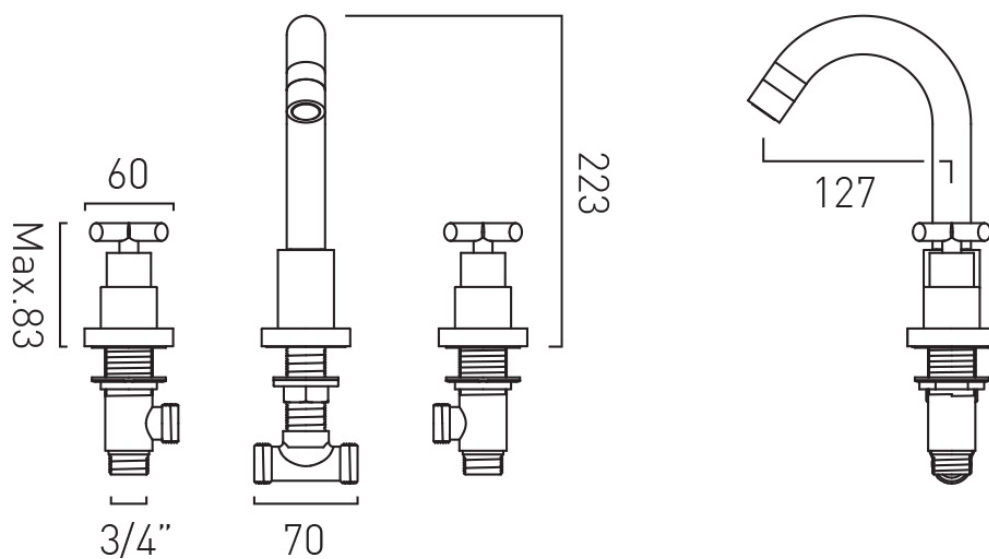
tel: 01934 744466  
email: [sales@vado.com](mailto:sales@vado.com)  
[www.vado.com](http://www.vado.com)

WHERE INSPIRATION FLOWS  
TAPS | SHOWERS | ACCESSORIES



# TECHNICAL DRAWING

COLLECTION: ELEMENTS  
PRODUCT CODE: ELW-135/NH-CP



tel: 01934 744466  
email: sales@vado.com  
www.vado.com

WHERE INSPIRATION FLOWS  
TAPS | SHOWERS | ACCESSORIES

