

SPECIFICATION SHEET

COLLECTION: ORA

PRODUCT CODE: ORA-MFSRK/SQ-CP



DESCRIPTION:

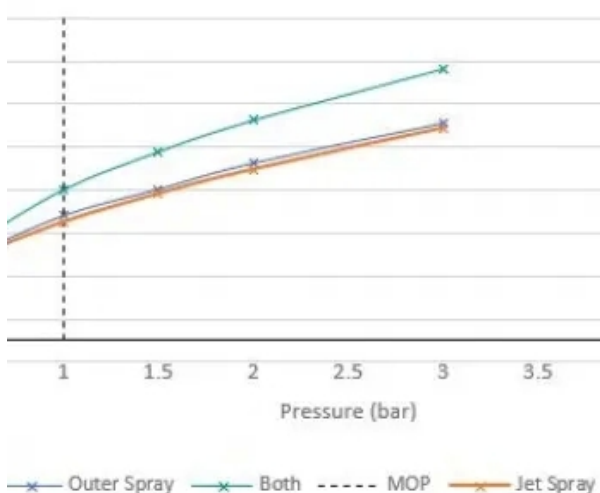
slide rail shower kit
with square 3 function push-button control handset
rub-clean nozzles
644mm slide rail with twist control
704mm overall rail length
with 150cm hose
minimum operating pressure 1.0 bar MP

FINISH:

Chrome

MINIMUM OPERATING PRESSURE:

1.0 bar MP



tel: 01934 744466
email: sales@vado.com
www.vado.com

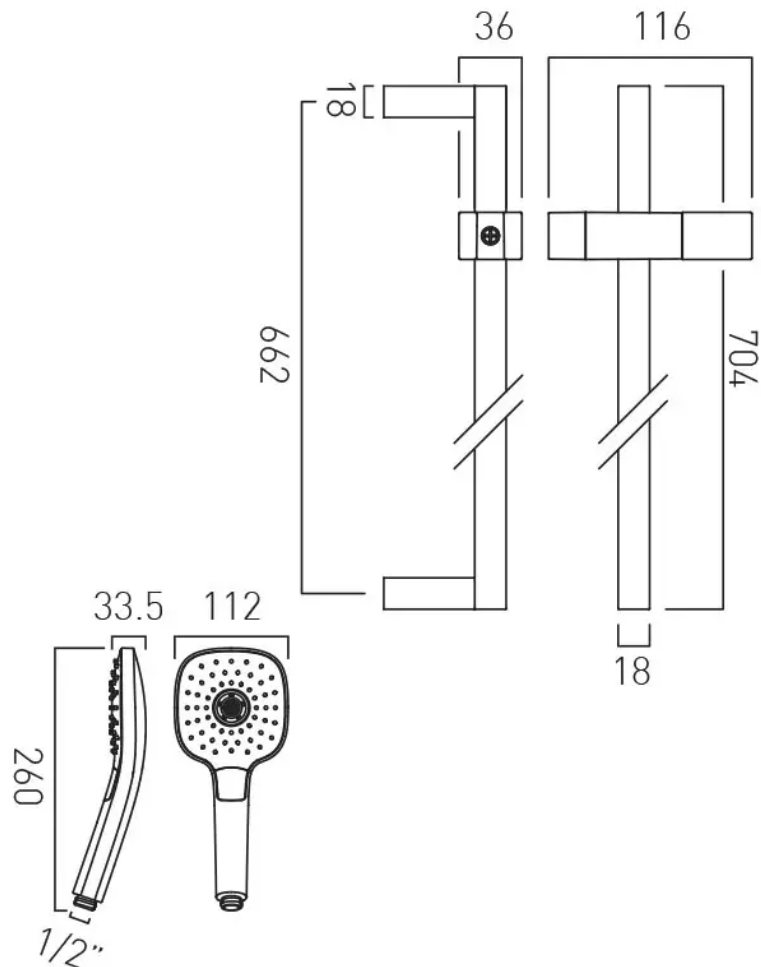
where inspiration flows
taps | showering | accessories



TECHNICAL DRAWING

COLLECTION: ORA

PRODUCT CODE: ORA-MFSRK/SQ-CP



tel: 01934 744466
email: sales@vado.com
www.vado.com

where inspiration flows
taps | showering | accessories

